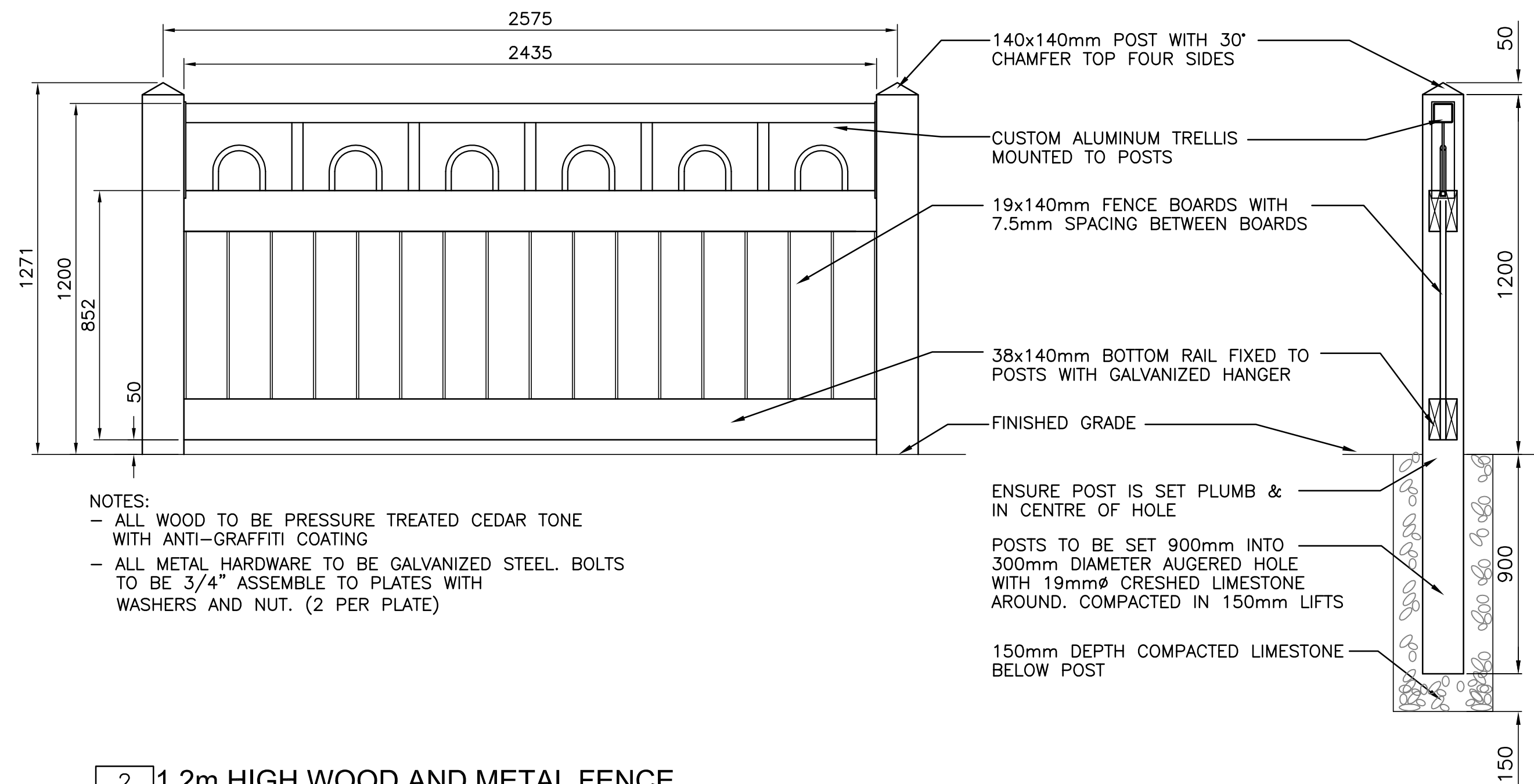


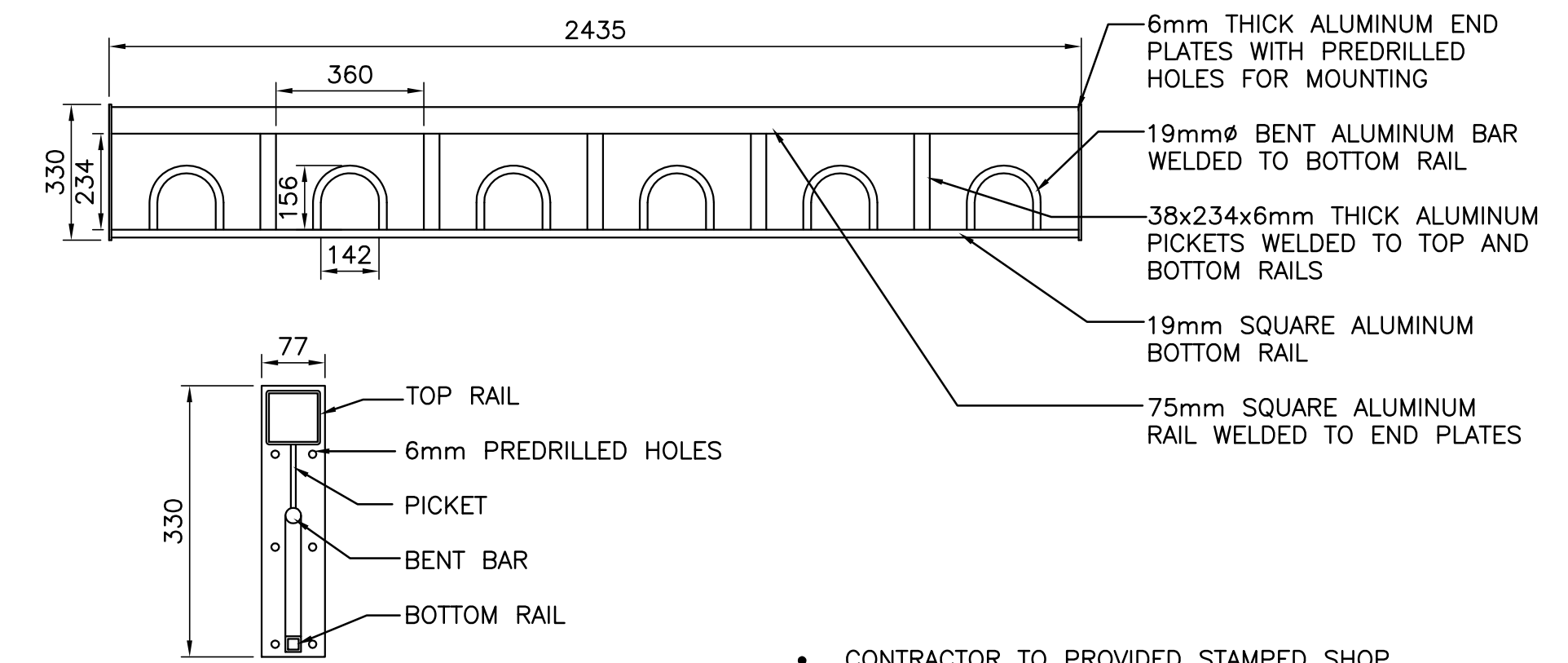
FULL COLOUR SIGN TOPPER C/W SIDE MOUNT BRACKET FOR CONNECTION WITH STREET LIGHT POLE. GRAPHICS TO BE SUPPLIED BY TRANSCONA BIZ

FULL COLOUR SIGN TOPPER C/W BOTTOM MOUNT BRACKET FOR CONNECTION WITH STREET NAME SIGN. GRAPHICS TO BE SUPPLIED BY TRANSCONA BIZ



NOTES:
 - ALL WOOD TO BE PRESSURE TREATED CEDAR TONE WITH ANTI-GRAFFITI COATING
 - ALL METAL HARDWARE TO BE GALVANIZED STEEL. BOLTS TO BE 3/4" ASSEMBLE TO PLATES WITH WASHERS AND NUT. (2 PER PLATE)

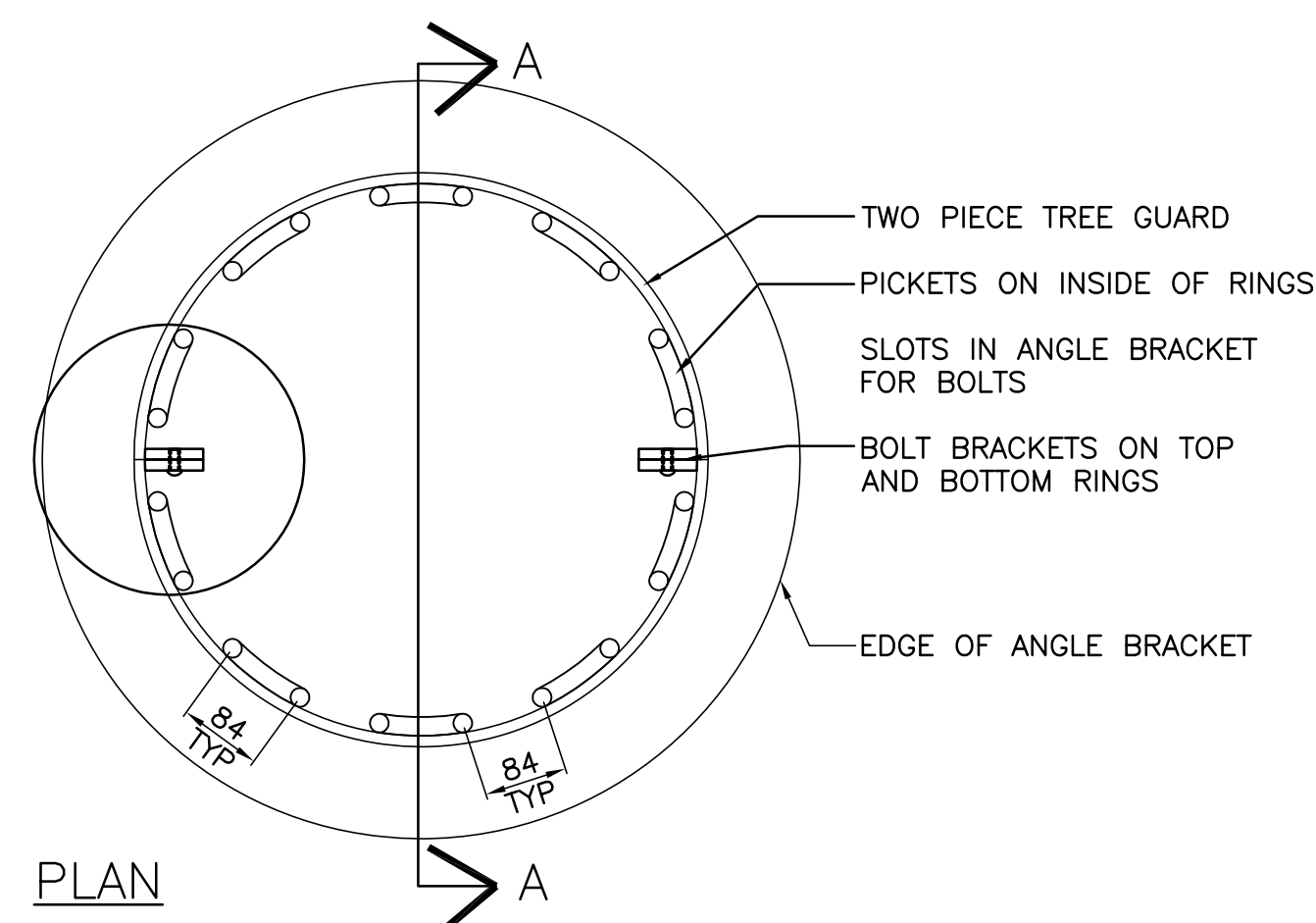
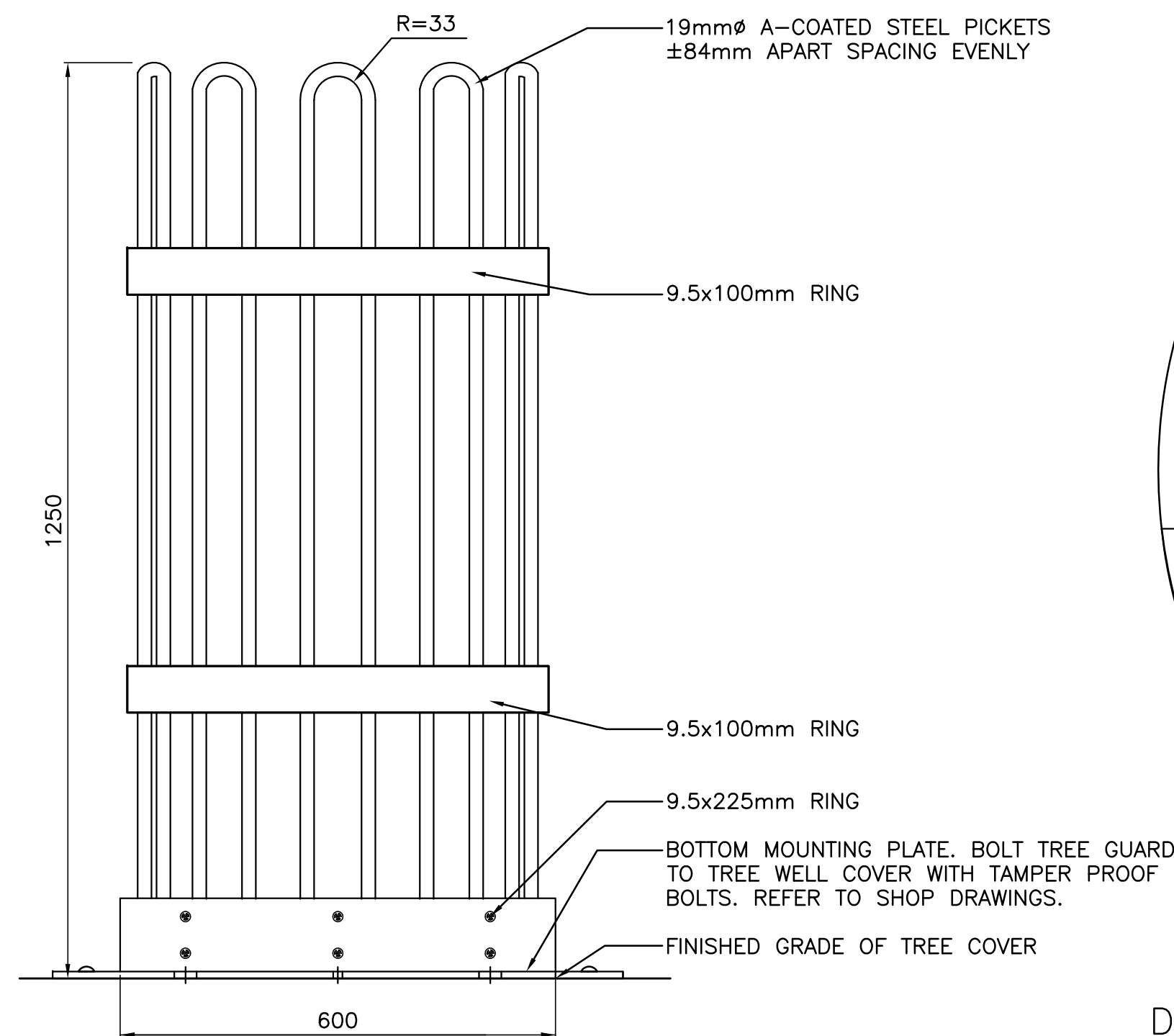
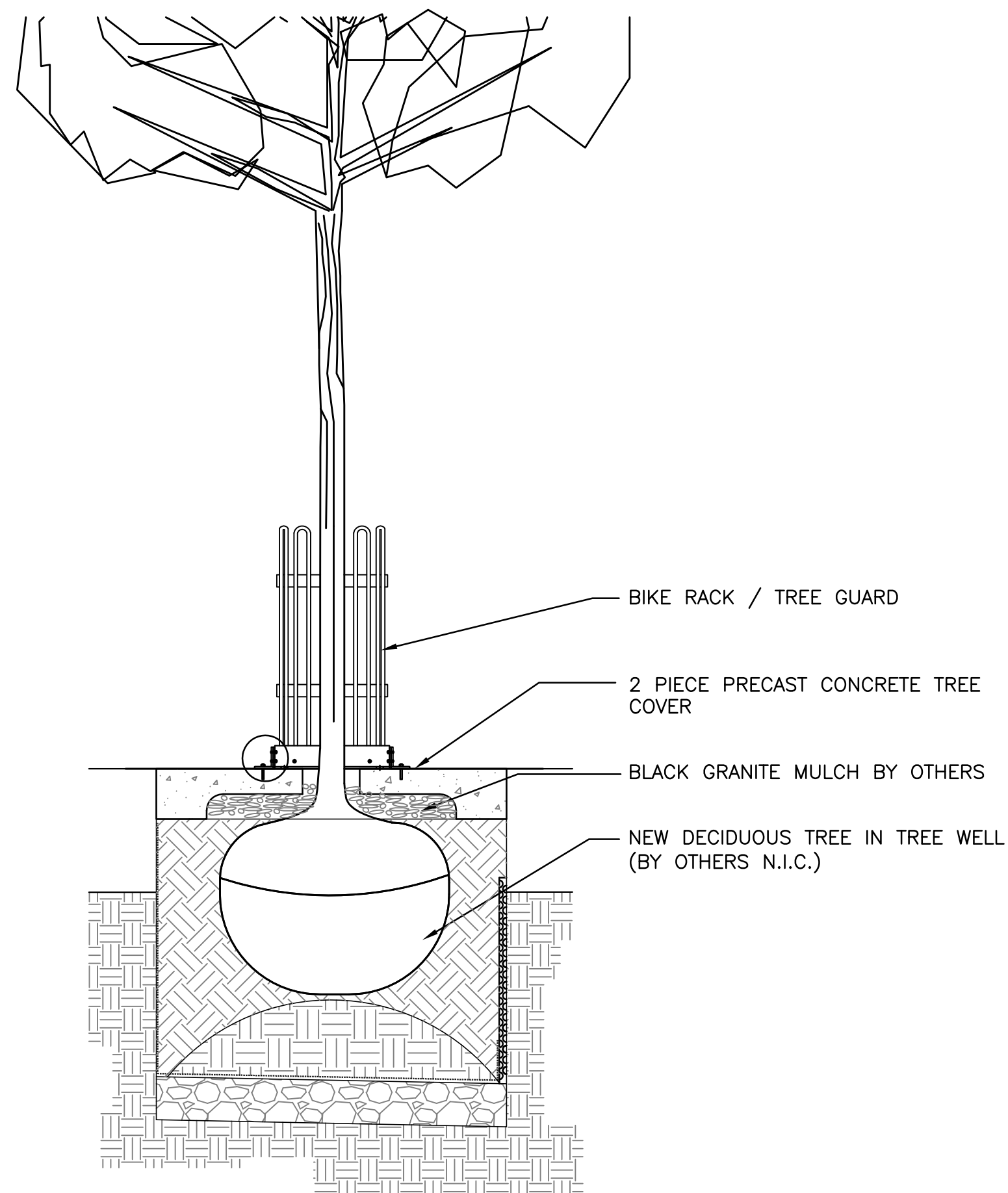
ENSURE POST IS SET PLUMB & IN CENTRE OF HOLE
 POSTS TO BE SET 900mm INTO 300mm DIAMETER AUGERED HOLE WITH 19mmØ GRESHED LIMESTONE AROUND. COMPACTED IN 150mm LIFTS
 150mm DEPTH COMPACTED LIMESTONE BELOW POST



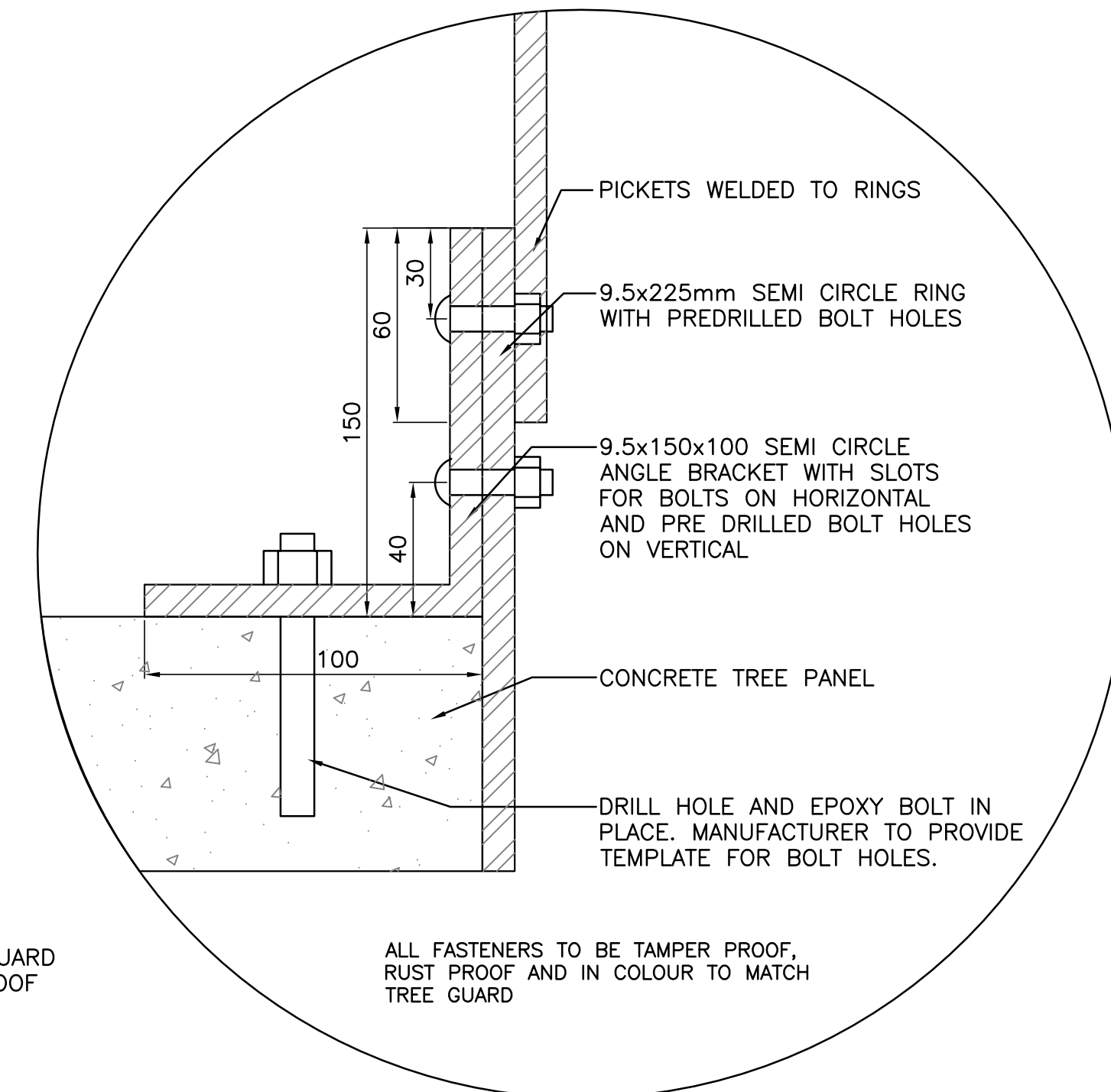
- CONTRACTOR TO PROVIDED STAMPED SHOP DRAWINGS FOR ALUMINUM TRELLIS.
- CONFIRM FENCE POST SPACING PRIOR TO MANUFACTURE.
- TRELLIS TO BE POWDER COATED TO MATCH SIGNAGE. COLOUR TO BE CONFIRMED WITH TRANSCONA BIZ.

1 SIGN TOPPERS
L1 N.T.S.

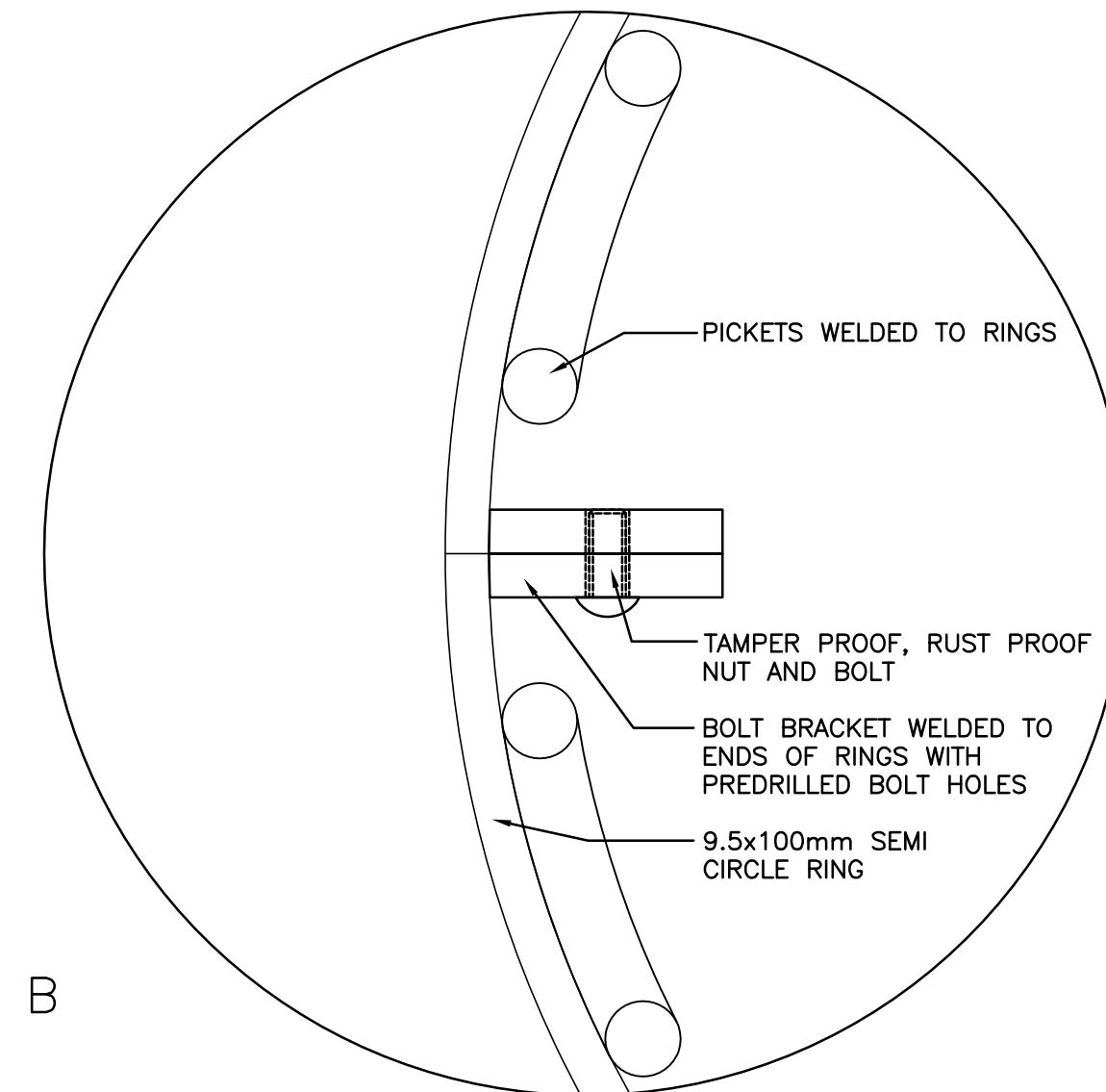
2 1.2m HIGH WOOD AND METAL FENCE
L1 N.T.S.



FINISHES:
 ALL METAL TO BE SANDED, A COATED, PRIMED AND POWDER PAINTED BLACK. TOP RING TO BE OVER PAINTED WITH KRYLON REFLECT-A-LITE.

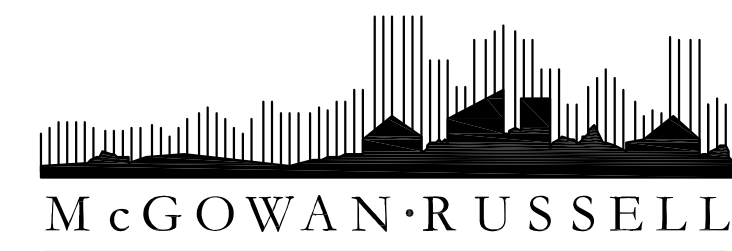


DETAIL A



DETAIL B

1	ADDENDUM 1	08/06/10SR
No.	Revisions	Date By
Date	Scale	
04-27-10	NTS	
Designed By	Drawn By	Checked By
SR/AH	AH	SR



TRANSCONA BIZ
 Project Title
**DOWNTOWN
 TRANSCONA
 REVITALIZATION**

Sheet Title
DETAILS

Project No. 09-050 Drawing No. L3-R1