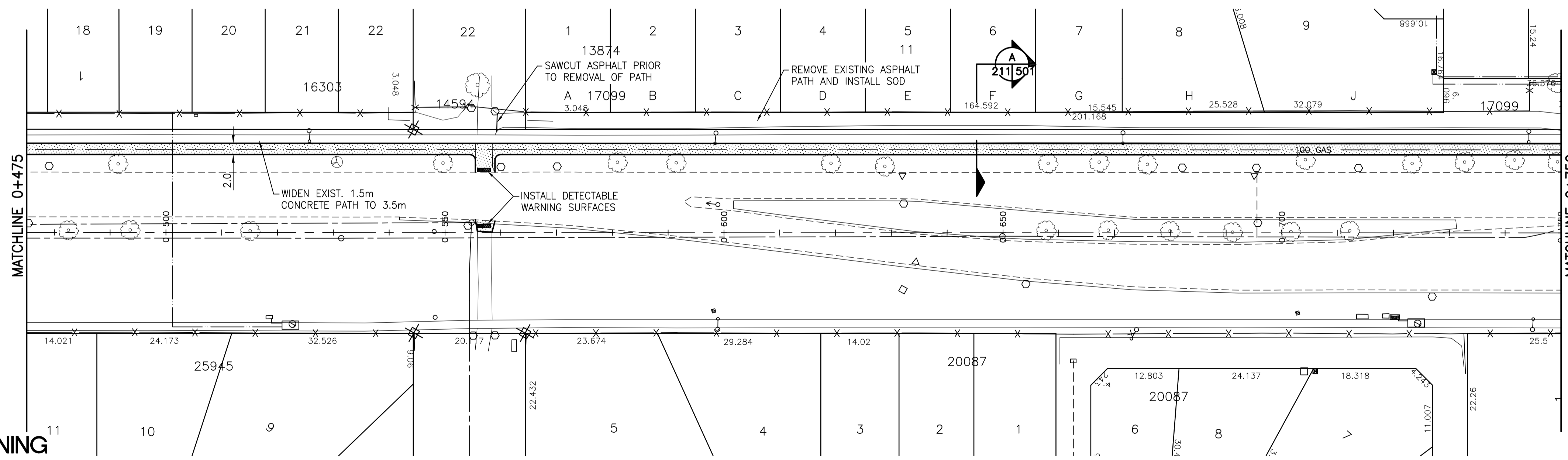
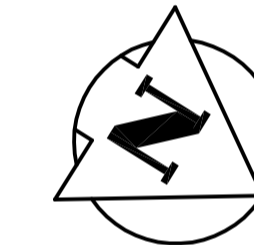


DAKOTA STREET



WARNING

IF POWER EQUIPMENT OR EXPLOSIVES ARE TO BE USED FOR EXCAVATION ON THIS PROJECT THE CONTRACTOR MUST:
 1) NOTIFY THE GAS COMPANY OF THE PROPOSED LOCATION OF EXCAVATION.
 2) TAKE PRECAUTION TO AVOID DAMAGE TO GAS COMPANY INSTALLATIONS.
 SEE PROVINCIAL REGULATION 140/92 FOR DETAILS

METRIC

WHOLE NUMBERS INDICATE MILLIMETRES
 DECIMALIZED NUMBERS INDICATE METRES

EXISTING		LEGEND-PLAN		PROPOSED		EXISTING		LEGEND-PLAN		PROPOSED	
150 WM	WATERMAIN	150 WM	HYDRO	150 WM	WATERMAIN	150 WM	WATERMAIN	300 LDS	LAND DRAINAGE SEWER	300 LDS	LAND DRAINAGE SEWER
300 LDS	LAND DRAINAGE SEWER	300 LDS	WASTE WATER SEWER	250 WWS	WASTE WATER SEWER	250 WWS	WASTE WATER SEWER	250 WWS	WASTE WATER SEWER	250 WWS	WASTE WATER SEWER
MANHOLE	MANHOLE	MANHOLE	MANHOLE	MANHOLE	MANHOLE	MANHOLE	MANHOLE	MANHOLE	MANHOLE	MANHOLE	MANHOLE
CATCH BASIN	CATCH BASIN	CATCH BASIN	CATCH BASIN	CATCH BASIN	CATCH BASIN	CATCH BASIN	CATCH BASIN	CATCH BASIN	CATCH BASIN	CATCH BASIN	CATCH BASIN
CULVERT	CULVERT	CULVERT	CULVERT	CULVERT	CULVERT	CULVERT	CULVERT	CULVERT	CULVERT	CULVERT	CULVERT
GAS	GAS	GAS	GAS	GAS	GAS	GAS	GAS	GAS	GAS	GAS	GAS
HYDRANT	HYDRANT	HYDRANT	HYDRANT	HYDRANT	HYDRANT	HYDRANT	HYDRANT	HYDRANT	HYDRANT	HYDRANT	HYDRANT
VALVE	VALVE	VALVE	VALVE	VALVE	VALVE	VALVE	VALVE	VALVE	VALVE	VALVE	VALVE
CONCRETE	CONCRETE	CONCRETE	CONCRETE	CONCRETE	CONCRETE	CONCRETE	CONCRETE	CONCRETE	CONCRETE	CONCRETE	CONCRETE
SIDEWALK - ASPHALT	SIDEWALK - ASPHALT	SIDEWALK - ASPHALT	SIDEWALK - ASPHALT	SIDEWALK - ASPHALT	SIDEWALK - ASPHALT	SIDEWALK - ASPHALT	SIDEWALK - ASPHALT	SIDEWALK - ASPHALT	SIDEWALK - ASPHALT	SIDEWALK - ASPHALT	SIDEWALK - ASPHALT
SIDEWALK - CONCRETE	SIDEWALK - CONCRETE	SIDEWALK - CONCRETE	SIDEWALK - CONCRETE	SIDEWALK - CONCRETE	SIDEWALK - CONCRETE	SIDEWALK - CONCRETE	SIDEWALK - CONCRETE	SIDEWALK - CONCRETE	SIDEWALK - CONCRETE	SIDEWALK - CONCRETE	SIDEWALK - CONCRETE
SIDEWALK - REMOVAL	SIDEWALK - REMOVAL	SIDEWALK - REMOVAL	SIDEWALK - REMOVAL	SIDEWALK - REMOVAL	SIDEWALK - REMOVAL	SIDEWALK - REMOVAL	SIDEWALK - REMOVAL	SIDEWALK - REMOVAL	SIDEWALK - REMOVAL	SIDEWALK - REMOVAL	SIDEWALK - REMOVAL
NORTH OR WEST GUTTER	NORTH OR WEST GUTTER	NORTH OR WEST GUTTER	NORTH OR WEST GUTTER	NORTH OR WEST GUTTER	NORTH OR WEST GUTTER	NORTH OR WEST GUTTER	NORTH OR WEST GUTTER	NORTH OR WEST GUTTER	NORTH OR WEST GUTTER	NORTH OR WEST GUTTER	NORTH OR WEST GUTTER
SOUTH OR EAST GUTTER	SOUTH OR EAST GUTTER	SOUTH OR EAST GUTTER	SOUTH OR EAST GUTTER	SOUTH OR EAST GUTTER	SOUTH OR EAST GUTTER	SOUTH OR EAST GUTTER	SOUTH OR EAST GUTTER	SOUTH OR EAST GUTTER	SOUTH OR EAST GUTTER	SOUTH OR EAST GUTTER	SOUTH OR EAST GUTTER
NORTH OR WEST DITCH	NORTH OR WEST DITCH	NORTH OR WEST DITCH	NORTH OR WEST DITCH	NORTH OR WEST DITCH	NORTH OR WEST DITCH	NORTH OR WEST DITCH	NORTH OR WEST DITCH	NORTH OR WEST DITCH	NORTH OR WEST DITCH	NORTH OR WEST DITCH	NORTH OR WEST DITCH
SOUTH OR EAST DITCH	SOUTH OR EAST DITCH	SOUTH OR EAST DITCH	SOUTH OR EAST DITCH	SOUTH OR EAST DITCH	SOUTH OR EAST DITCH	SOUTH OR EAST DITCH	SOUTH OR EAST DITCH	SOUTH OR EAST DITCH	SOUTH OR EAST DITCH	SOUTH OR EAST DITCH	SOUTH OR EAST DITCH
PROPERTY LINE	PROPERTY LINE	PROPERTY LINE	PROPERTY LINE	PROPERTY LINE	PROPERTY LINE	PROPERTY LINE	PROPERTY LINE	PROPERTY LINE	PROPERTY LINE	PROPERTY LINE	PROPERTY LINE
SURVEY BAR	SURVEY BAR	SURVEY BAR	SURVEY BAR	SURVEY BAR	SURVEY BAR	SURVEY BAR	SURVEY BAR	SURVEY BAR	SURVEY BAR	SURVEY BAR	SURVEY BAR
DITCH	DITCH	DITCH	DITCH	DITCH	DITCH	DITCH	DITCH	DITCH	DITCH	DITCH	DITCH
ELEVATION	ELEVATION	ELEVATION	ELEVATION	ELEVATION	ELEVATION	ELEVATION	ELEVATION	ELEVATION	ELEVATION	ELEVATION	ELEVATION
SIDEWALK RAMP	SIDEWALK RAMP	SIDEWALK RAMP	SIDEWALK RAMP	SIDEWALK RAMP	SIDEWALK RAMP	SIDEWALK RAMP	SIDEWALK RAMP	SIDEWALK RAMP	SIDEWALK RAMP	SIDEWALK RAMP	SIDEWALK RAMP

LOCATION APPROVED UNDERGROUND STRUCTURES
 SUPV. U/G STRUCTURES COMMITTEE DATE
 NOTE:
 LOCATION OF UNDERGROUND STRUCTURES AS SHOWN ARE BASED ON THE BEST INFORMATION AVAILABLE BUT NO GUARANTEE IS GIVEN THAT THE GIVEN LOCATIONS ARE EXACT. CONFIRMATION OF EXISTENCE AND EXACT LOCATION OF ALL SERVICES MUST BE OBTAINED FROM THE INDIVIDUAL UTILITIES BEFORE PROCEEDING WITH CONSTRUCTION.

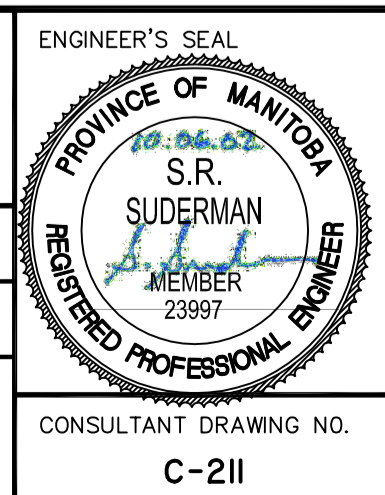
NO.	REVISIONS	DATE	BY
1	ISSUED FOR TENDER	10.06.02	S.R.S.
0	ISSUED FOR REVIEW	10.05.28	S.R.S.

Stantec Consulting Ltd.
 905 Waverley Street, Winnipeg, Manitoba
 Tel 204-489-5900 Fax 204-453-9012

DESIGNED BY: S.R.S. CHECKED BY: V.M.M.
 DRAWN BY: T.G. APPROVED BY: S.R.S.

HOR. SCALE: 1:500
 VERTICAL: 1:20

RELEASED FOR CONSTRUCTION: _____
 DATE: 10.04.22



THE CITY OF WINNIPEG
 PUBLIC WORKS DEPARTMENT
 ENGINEERING DIVISION

DAKOTA/DUNKIRK PATHWAY-PHASE I
 WARDE AVENUE TO BISHOP GRANDIN BOULEVARD
 STA. 0+475 TO STA. 0+750

2010 ACTIVE TRANSPORTATION INFRASTRUCTURE STIMULUS PROGRAM

SHEET 3 OF 12
 CAD FILE DRAWING NUMBER 05260c-210-xxx.dwg
 CITY DRAWING NUMBER W-376-03