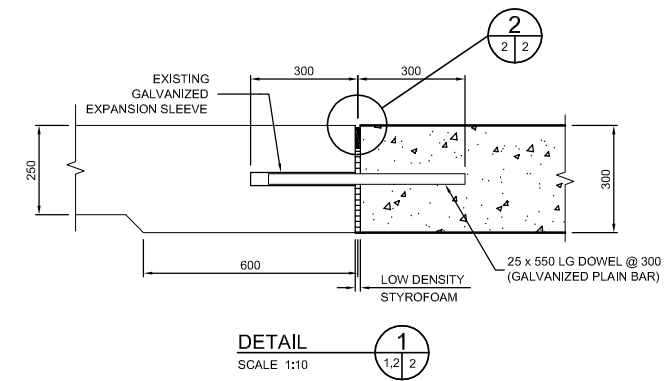
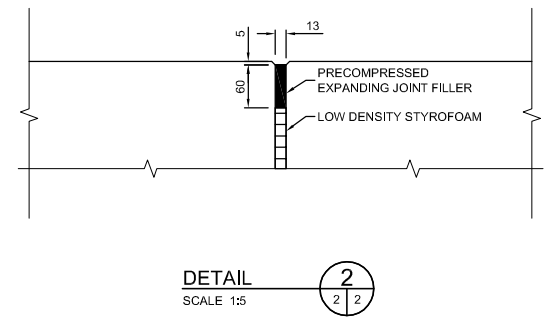


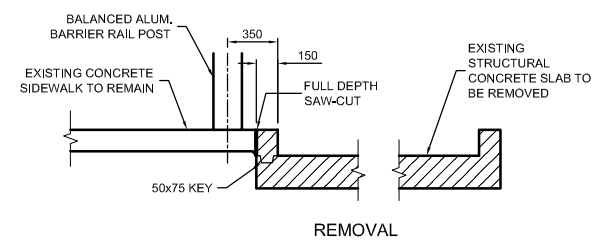
SECTION A  
SCALE 1:25



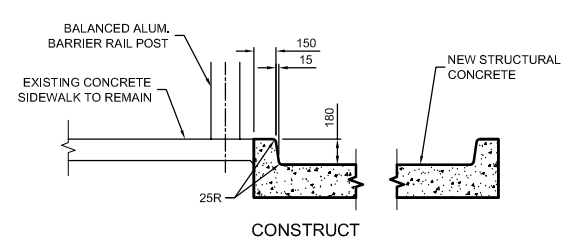
DETAIL 1  
SCALE 1:10



DETAIL 2  
SCALE 1:5

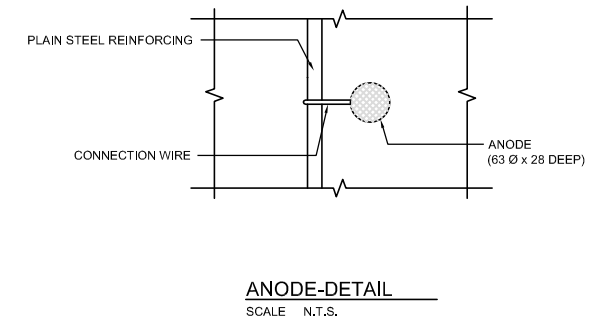


REMOVAL



CONSTRUCT

SECTION B  
SCALE 1:25



ANODE-DETAIL  
SCALE N.T.S.

150 mm W.M.	WATER MAIN	150 mm W.M.	HYDRO	150 mm W.M.	WATERMAIN	150 mm W.M.	UNDERGROUND STRUCTURES	B.M. FIRE HYDRANT (N: 5524482.826 E: 634513.381) ELEV. 232.729	DESIGNED BY MRD		ENGINEER'S SEAL PROVINCE OF MANITOBA M.R. DOUCET Member 22306 REGISTERED PROFESSIONAL ENGINEER		2010 BRIDGE MAINTENANCE PROGRAM CHURCHILL DRIVE PEDESTRIAN UNDERPASS OSBORNE STREET PAVEMENT WORKS	CITY DRAWING NUMBER U216-10-02
300 mm L.D.S.	LAND DRAINAGE SEWER	300 mm L.D.S.	CONCRETE	300 mm L.D.S.	LAND DRAINAGE SEWER	300 mm L.D.S.	DATE	DRAWN BY MRD	RELEASED FOR CONSTRUCTION		CONSULTANT PROJECT NO. 10-3190			SHEET 2 OF 2
250 mm W.W.S.	WASTE WATER SEWER	250 mm W.W.S.	ASPHALT	250 mm W.W.S.	WASTE WATER SEWER	250 mm W.W.S.	NOTE: LOCATION OF UNDERGROUND STRUCTURES AS SHOWN ARE BASED ON THE BEST INFORMATION AVAILABLE. BUT NO GUARANTEE IS GIVEN THAT ALL EXISTING UTILITIES ARE SHOWN OR THAT THE GIVEN LOCATIONS AND EXACT COORDINATES OF ALL SERVICES MUST BE OBTAINED FROM THE INDIVIDUAL UTILITIES BEFORE PROCEEDING WITH CONSTRUCTION.	CHECKED BY MBL	NO. REVISIONS		DATE			BID OPP. NO. 413-2010
	MANHOLE		PLANING		Q PROFILE		DATE	APPROVED BY	DATE		DATE			
	CATCH BASIN		SIDWALK		NORTH/WEST GUTTER			HOR. SCALE 1:250						
	CURB INLET		PAVING STONES		SOUTH/EAST GUTTER			VERTICAL 1:10						
	JUNCTIONS		PARTIAL DEPTH REPAIR		NORTH/WEST T/LANE									
	CULVERT		PROPERTY LINE		SOUTH/EAST T/LANE									
	GAS		SURVEY BAR											
EXISTING	LEGEND-PLAN	PROPOSED	PARAPLEGIC RAMP	EXISTING	LEGEND-PROFILE	PROPOSED								