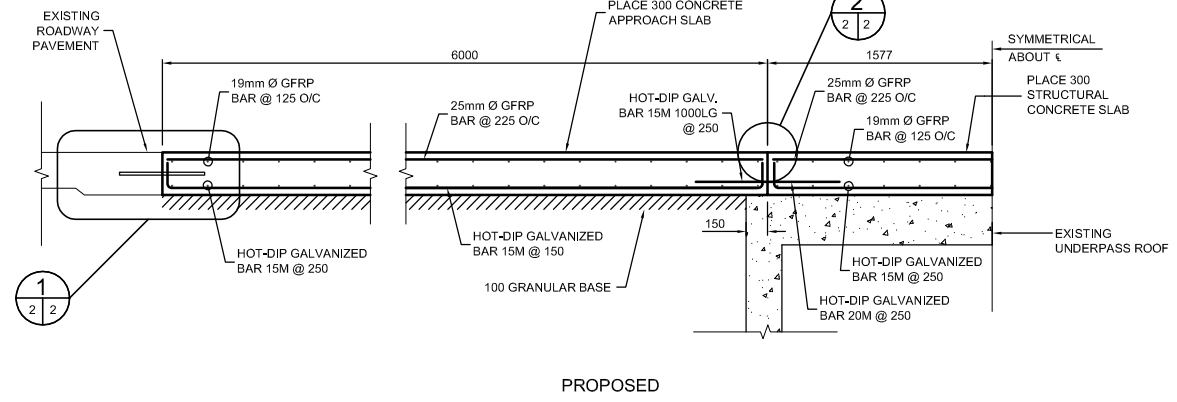
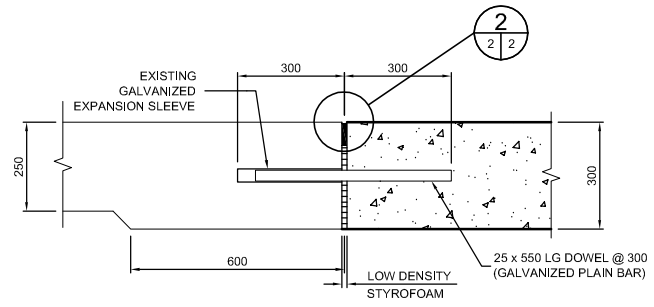


EXISTING

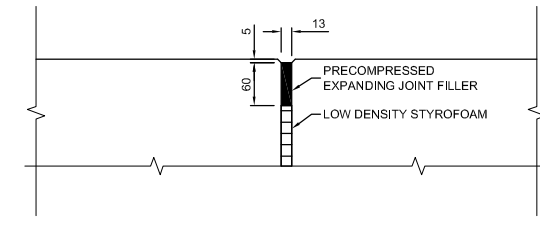


PROPOSED

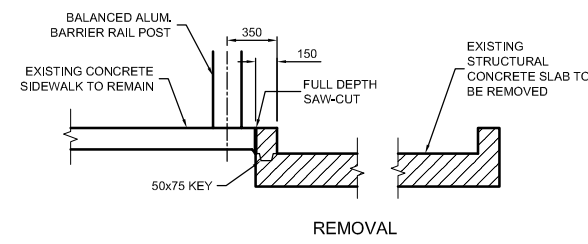
SECTION A
SCALE 1:25



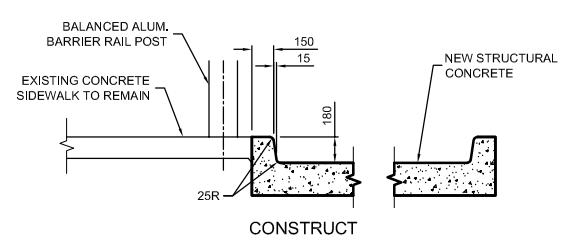
DETAIL 1
SCALE 1:10



DETAIL 2
SCALE 1:5

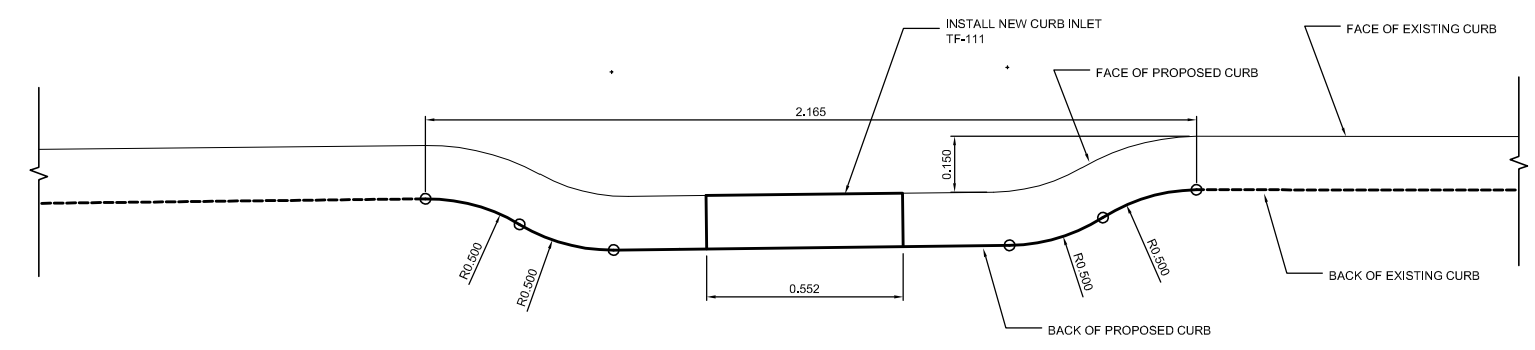


REMOVAL

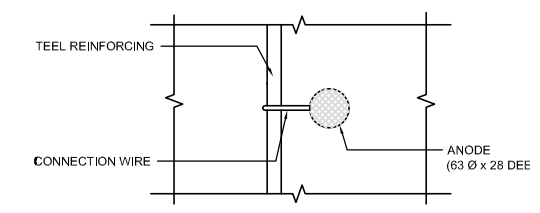


CONSTRUCT

SECTION B
SCALE 1:25



DETAIL 3
SCALE 1:10



ANODE-DETAIL
SCALE N.T.S.

150 mm W.M.	WATER MAIN	150 mm W.M.	HYDRO	150 mm W.M.	WATERMAIN	150 mm W.M.	UNDERGROUND STRUCTURES	B.M. FIRE HYDRANT (N: 5524482.826 E:634513.381) ELEV. 232.729	DESIGNED BY MRD		ENGINEER'S SEAL M.R. DOUCET Member 22306 REGISTERED PROFESSIONAL ENGINEER		2010 BRIDGE MAINTENANCE PROGRAM GOLF COURSE PEDESTRIAN UNDERPASS	CITY DRAWING NUMBER U217-10-02		
300 mm L.D.S.	LAND DRAINAGE SEWER	300 mm L.D.S.	CONCRETE	300 mm L.D.S.	LAND DRAINAGE SEWER	300 mm L.D.S.	SUPV. U/G STRUCTURES COMMITTEE	DRAWN BY MRD					2010 BRIDGE MAINTENANCE PROGRAM GOLF COURSE PEDESTRIAN UNDERPASS	SHEET 2 OF 2		
250 mm W.W.S.	WASTE WATER SEWER	250 mm W.W.S.	ASPHALT	250 mm W.W.S.	WASTE WATER SEWER	250 mm W.W.S.	NOTE: LOCATION OF UNDERGROUND STRUCTURES AS SHOWN ARE BASED ON THE BEST INFORMATION AVAILABLE. BUT NO GUARANTEE IS GIVEN THAT ALL EXISTING UTILITIES ARE SHOWN OR THAT THE GIVEN LOCATIONS ARE EXACT. CONFIRMATION OF EXISTENCES AND EXACT LOCATION OF ALL SERVICES MUST BE OBTAINED FROM THE INDIVIDUAL UTILITIES BEFORE PROCEEDING WITH CONSTRUCTION.	CHECKED BY MBL						RELEASED FOR CONSTRUCTION DATE	CONSULTANT PROJECT NO. 10-3190	BID OPP. NO. 413-2010
300 mm L.D.S.	LAND DRAINAGE SEWER	300 mm L.D.S.	PLANING	300 mm L.D.S.	LAND DRAINAGE SEWER	300 mm L.D.S.	APPROVED BY	HOR. SCALE 1:250								
250 mm W.W.S.	WASTE WATER SEWER	250 mm W.W.S.	SIDEWALK	250 mm W.W.S.	WASTE WATER SEWER	250 mm W.W.S.	NO. REVISIONS	MRD	VERTICAL SCALE 1:10	DATE						