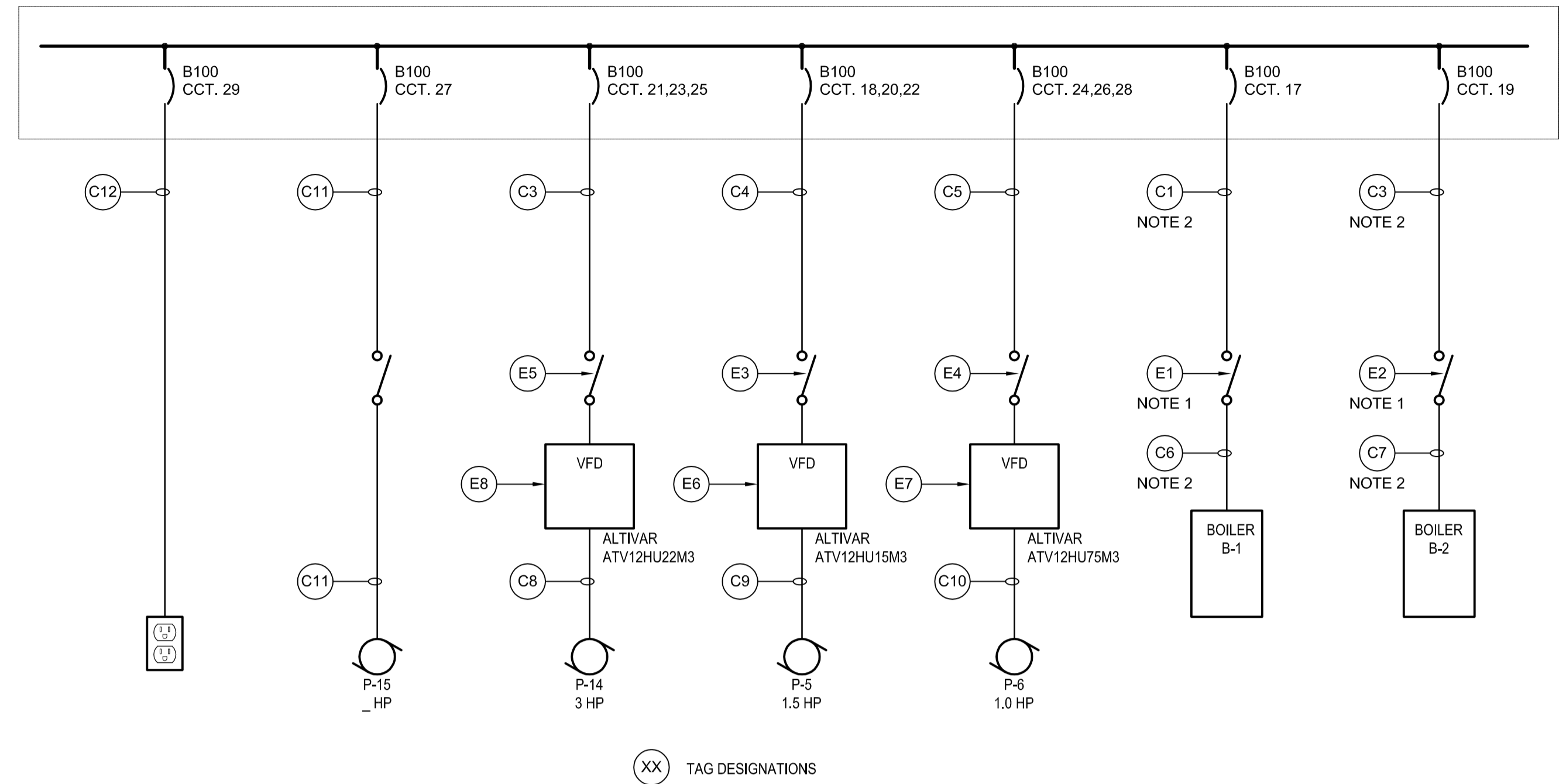


- NOTES
- ENGRAVE TAGS AS PER TAG LIST (TYPICAL).
 - REFER TO DRAWINGS E-002 AND M-502 FOR LOCATION.

1 BOILER DISCONNECT / VFD BOARD FRONT ELEVATION
N.T.S.



2 BOILER SINGLE LINE DIAGRAM
N.T.S.

PANEL SCHEDULE										
PANEL 'B100'										
DESCRIPTION	LOAD	BKR	CCT	A	B	C	CCT	BKR	LOAD	DESCRIPTION
TVSS (Integral Mount)		30A	1	*			2	15A	60W	Receptacles
		3P	3	*			4	15A	60W	Receptacles
			5	*			6	15A	60W	Receptacles
SP-1 Sump Package	186.5W	15A	7	*			8	15A	60W	Receptacles
GFT-1 Glycol Feed Tank		15A	9	*			10	15A		Electrical Room Lights
B-3 & B-4 Boilers		15A	11	*			12	15A		Vestibule Lights
Change Room Exhaust Fan		15A	13	*			14	15A		Mechanical Lights
BMS Building Management Syst		15A	15	*			16	15A		Emergency Lighting/Exit Sign
Boiler B-1		15A	17	*			18	15A		
Boiler B-2		15A	19	*			20	3P		VFD Boiler Pump 1
		15A	21	*			22			
Building Circulation Pump		3P	23	*			24	15A		
			25	*			26	3P		VFD Boiler Pump 2
Pump P-15		15A	27	*			28			
			29	*			30			
			31	*			32			
			33	*			34			
			35	*			36			
			37	*			38			
			39	*			40			
			41	*			42			
Voltage: 120/208V/3Ø/4 wire		Feeder: 4/C #3/0 Teck Cable								
Mains: 225 A		Main Breaker: N/A								
Location: Confederation building basement level electrical room		Power Source: Existing Square D Main Distribution Panel								
Mounting: Surface										

3 B100 PANEL SCHEDULE
N.T.S.

Tag List

Cable Tags - Note: Tags Required on Both Ends of Cable. All Cable Tags Size 1

Tag	Size	Description
Tag C1	Size 1	B100-17-1 Boiler B-1
Tag C2	Size 1	B100-19-1 Boiler B-2
Tag C3	Size 1	B100-21,23,25-1 Pump P-14
Tag C4	Size 1	B100-18,20,22-1 Pump P-5
Tag C5	Size 1	B100-24,26,28-1 Pump P-6
Tag C6	Size 1	B100-17-2 Boiler B-1
Tag C7	Size 1	B100-19-2 Boiler B-2
Tag C8	Size 1	B100-21,23,25-2 Pump P-14
Tag C9	Size 1	B100-18,20,22-2 Pump P-5
Tag C10	Size 1	B100-24,26,28-2 Pump P-6
Tag C11	Size 1	B100-27 Pump P-15
Tag E1	Size 2	Boiler B-1 Disconnect B100-17
Tag E2	Size 2	Boiler B-2 Disconnect B100-19
Tag E3	Size 2	P-5 Boiler B-1 Circulator Disconnect B100-18,20,22
Tag E4	Size 2	P-6 Boiler B-2 Circulator Disconnect B100-24,26,28
Tag E5	Size 2	P-14 Building Loop Pump Disconnect B100-21,23,25
Tag E6	Size 2	VFD-P5 Boiler B-1 Circulator Speed Control B100-18,20,22
Tag E7	Size 2	VFD-P6 Boiler B-2 Circulator Speed Control B100-24,26,28
Tag E8	Size 2	VFD-P14 Building Loop Pump Speed Control B100-21,23,25
Tag E9	Size 3	Boiler Disconnect/VFD Board

Size 1 19mm x 75mm
Size 2 25mm x 75mm
Size 3 25mm x 150mm
All cable tags fastened with the wraps on both ends of tag (Two tie wraps per tag)
All tags engraved on lamicooid - black lettering on white background



This drawing has been prepared for the use of AECOM's client and may not be used, reproduced or relied upon by third parties, except as agreed by AECOM and its client, as required by law or for use by governmental reviewing agencies. AECOM accepts no responsibility, and denies any liability whatsoever, to any party that modifies this drawing without AECOM's express written consent. Do not scale this document. All measurements must be obtained from stated dimensions.

No.	REVISION/DESCRIPTION	BY	DATE
A	ISSUED FOR TENDER	SS	10/07/12

SEAL

DRAWN	CHK	DES	ENG	IDR
DRN	CHK	DES	ENG	IDR

THE CITY OF WINNIPEG
PLANNING, PROPERTY AND
DEVELOPMENT DEPARTMENT
MUNICIPAL ACCOMMODATIONS DIVISION
3-65 GARRY STREET, R3C 4K4

PROJECT
CONFEDERATION BUILDING
BOILER REPLACEMENT
CITY PROJ. NO. 2010-023
457 MAIN STREET, WINNIPEG, MANITOBA

SHEET TITLE
ELECTRICAL
SINGLE LINE DIAGRAM AND SCHEDULES

SCALE	PROJECT No:	SHEET No:
NTS	60154740	E-002