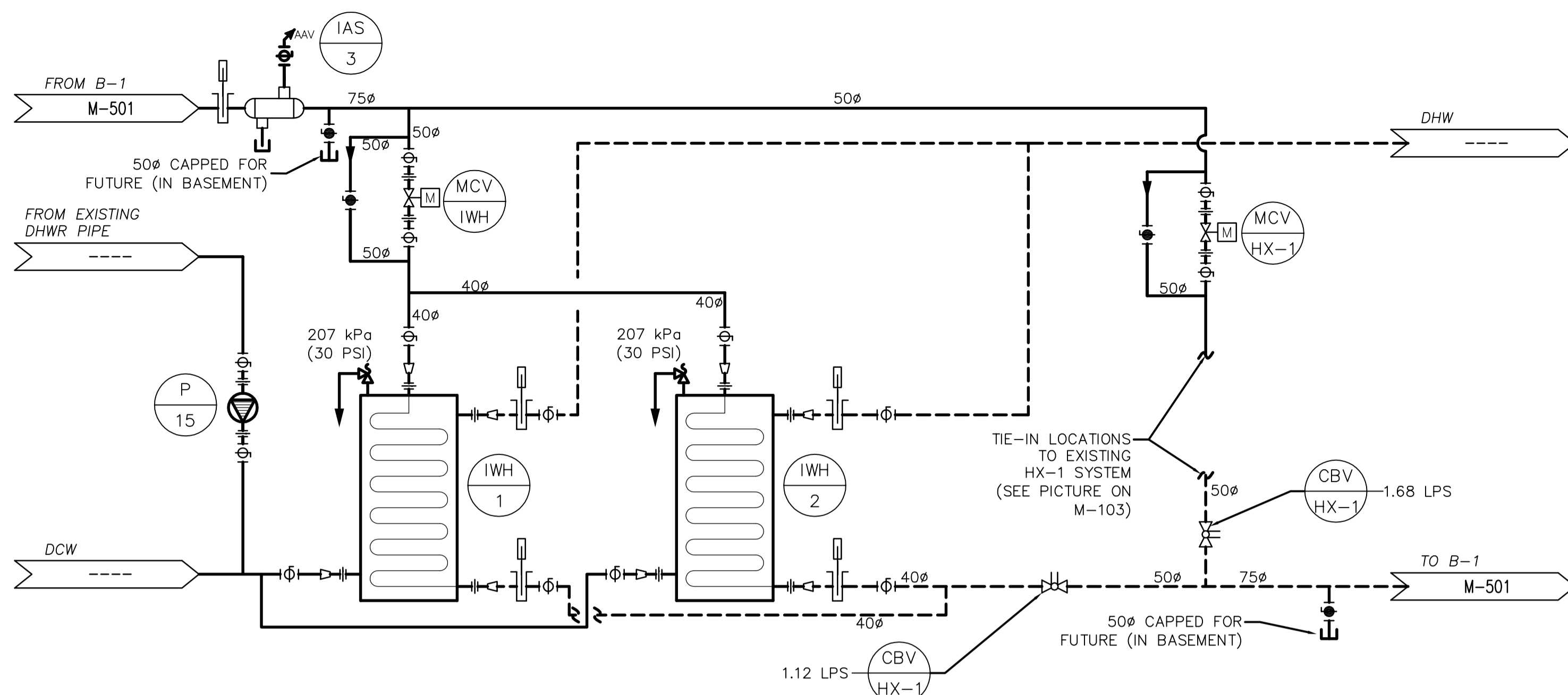
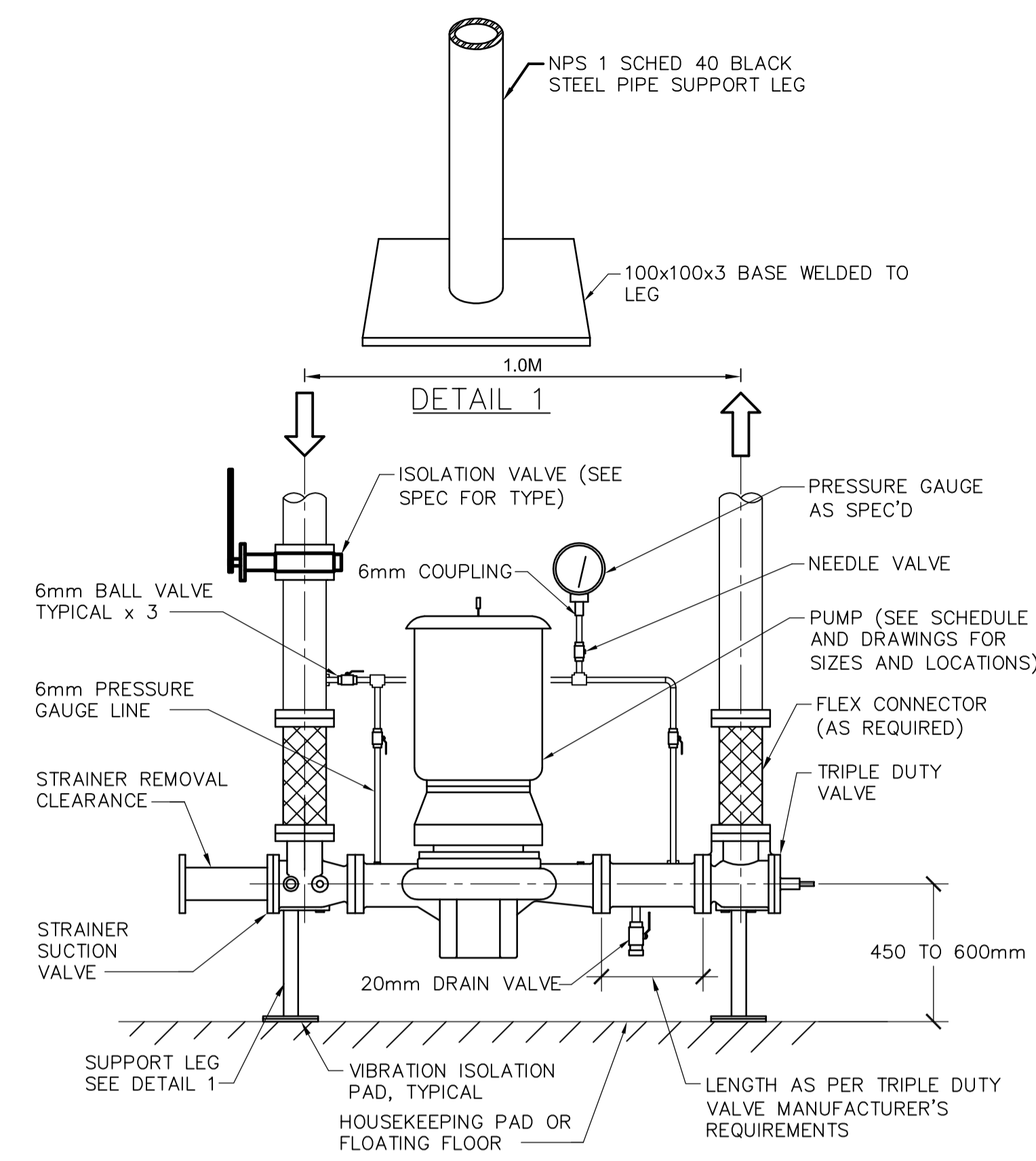


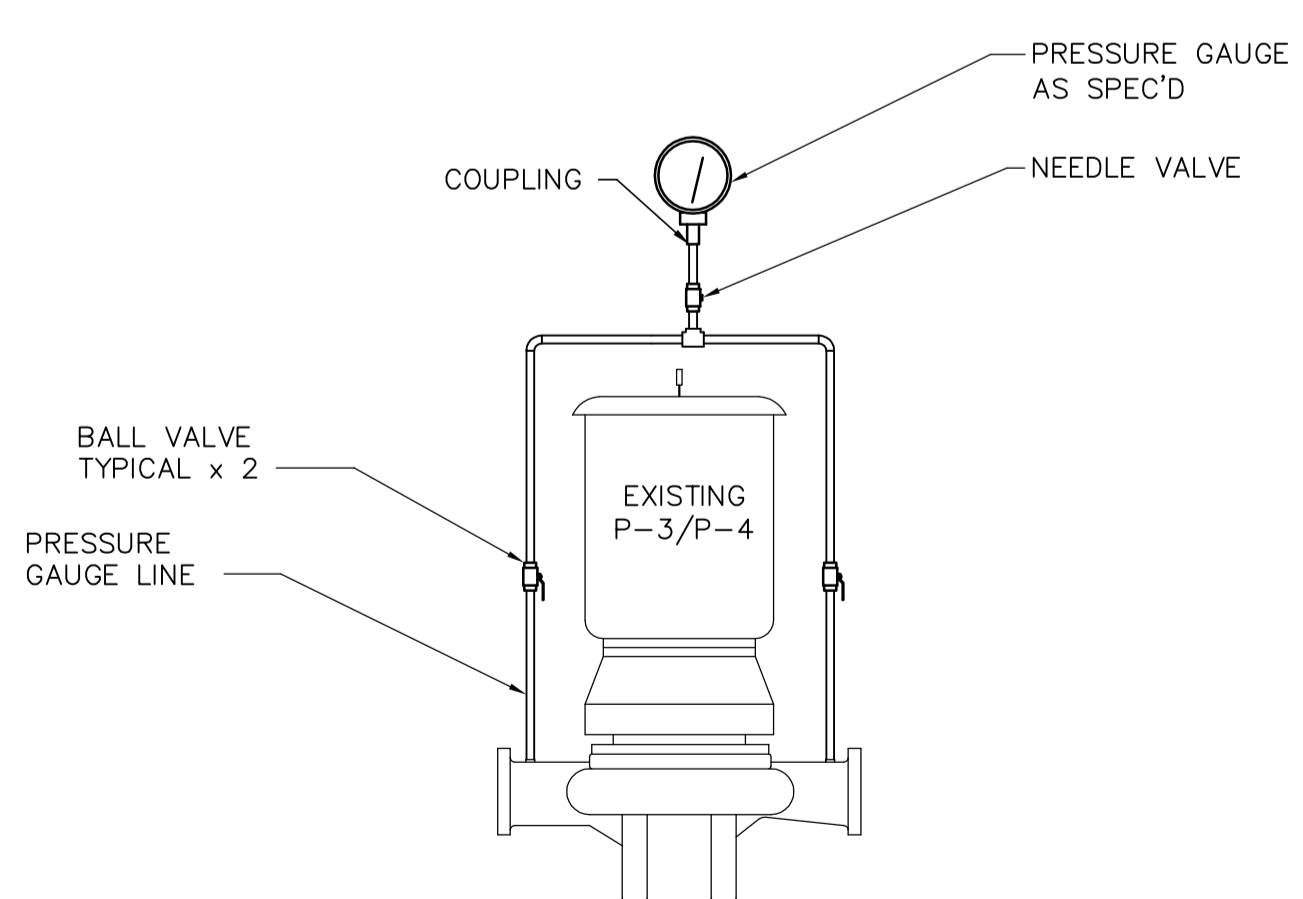
NOTES:



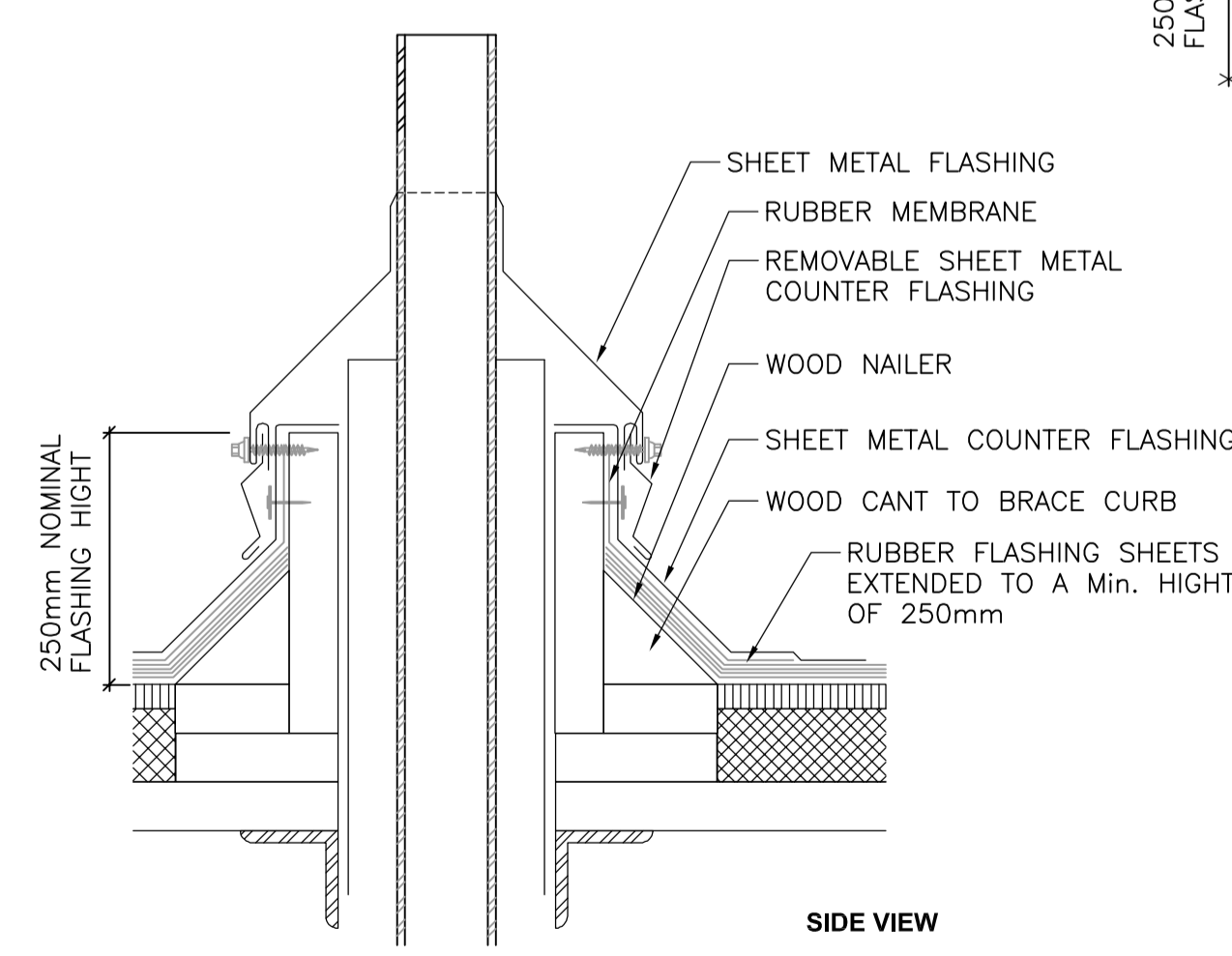
1 IWS AND HX HYDRONICS SCHEMATIC  
M-502 N.T.S.



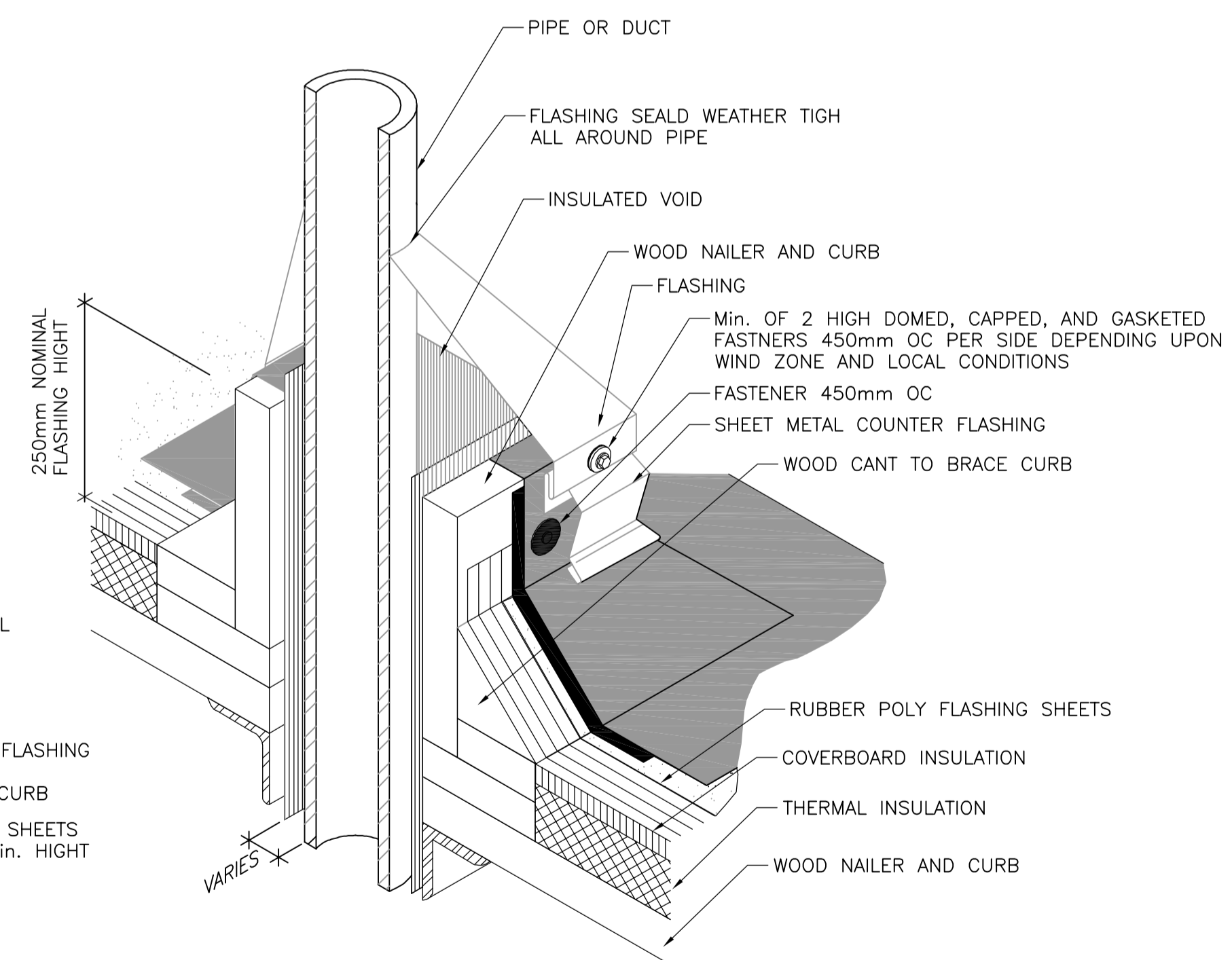
2 VERTICAL IN-LINE PUMP DETAIL (FOR P-14)  
M-502 N.T.S.



3 PRESSURE GAUGE DETAIL FOR P-3 AND P-4  
M-502 N.T.S.



4 PIPE OR DUCT CURB DETAIL  
M-502 N.T.S.



NOTE: ROOF DETAIL FOR DIAGRAMMATICAL PURPOSES ONLY  
CONSULT PROFESSIONAL ROOFER FOR ASSISTANCE.  
ROOFING MATERIALS MAY VARY. PROVIDE THE SAME OR  
EQUAL INSTALLATION OF CURB TO MATCH EXISTING SITE  
CONDITIONS.

**AECOM**

This drawing has been prepared for the use of AECOM's client and may not be used, reproduced or relied upon by third parties, except as agreed by AECOM and its client, as required by law or for use by governmental reviewing agencies. AECOM accepts no responsibility, and denies any liability whatsoever, to any party that modifies this drawing without AECOM's express written consent. Do not scale this document. All measurements must be obtained from stated dimensions.

No.	REVISION/DESCRIPTION	BY	DATE
0	ISSUED FOR TENDER	DJP	2010.07.12

DRAWN	GT	CHECKED	DC	DESIGNED	DC	APPROVED	PVL
DATE	2010.06.14	USER	APPROVAL				

THE CITY OF WINNIPEG  
PLANNING, PROPERTY AND  
DEVELOPMENT DEPARTMENT  
MUNICIPAL ACCOMMODATIONS DIVISION  
3-65 GARRY STREET, R3C 4K4

PROJECT  
CONFEDERATION BUILDING  
BOILER REPLACEMENT  
CITY PROJ. NO. 2010-023  
457 MAIN STREET, WINNIPEG, MANITOBA

SHEET TITLE  
MECHANICAL  
SCHEMATICS AND DETAILS

DRN	CHK	DES	ENG	IDR
AECOM REVIEW				

SCALE	PROJECT No:	SHEET No:
AS NOTED	60154740	M-502