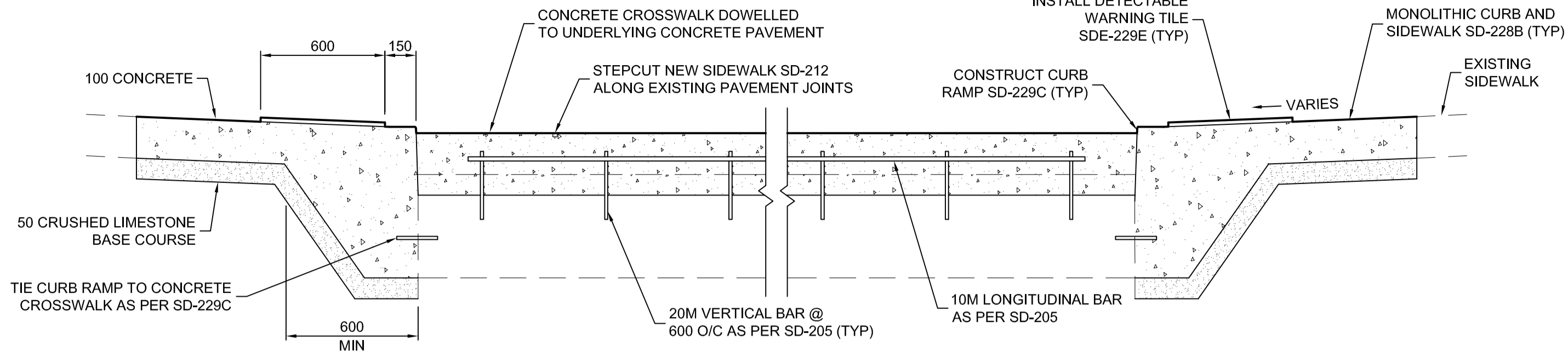
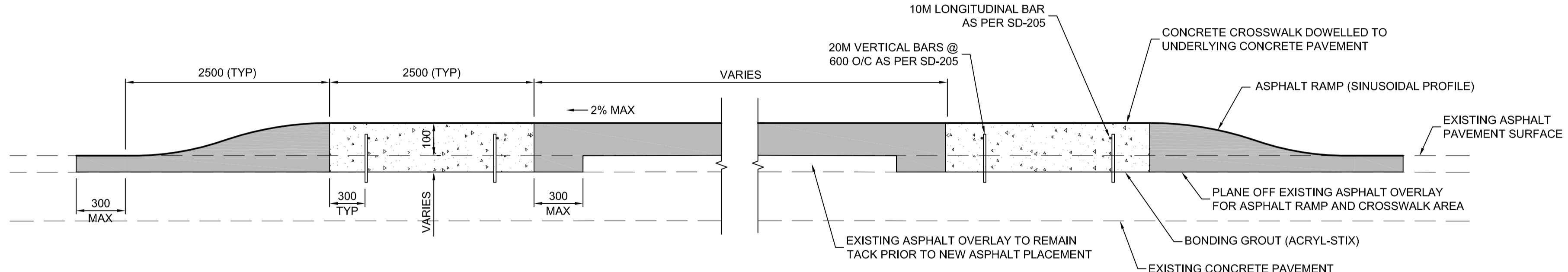


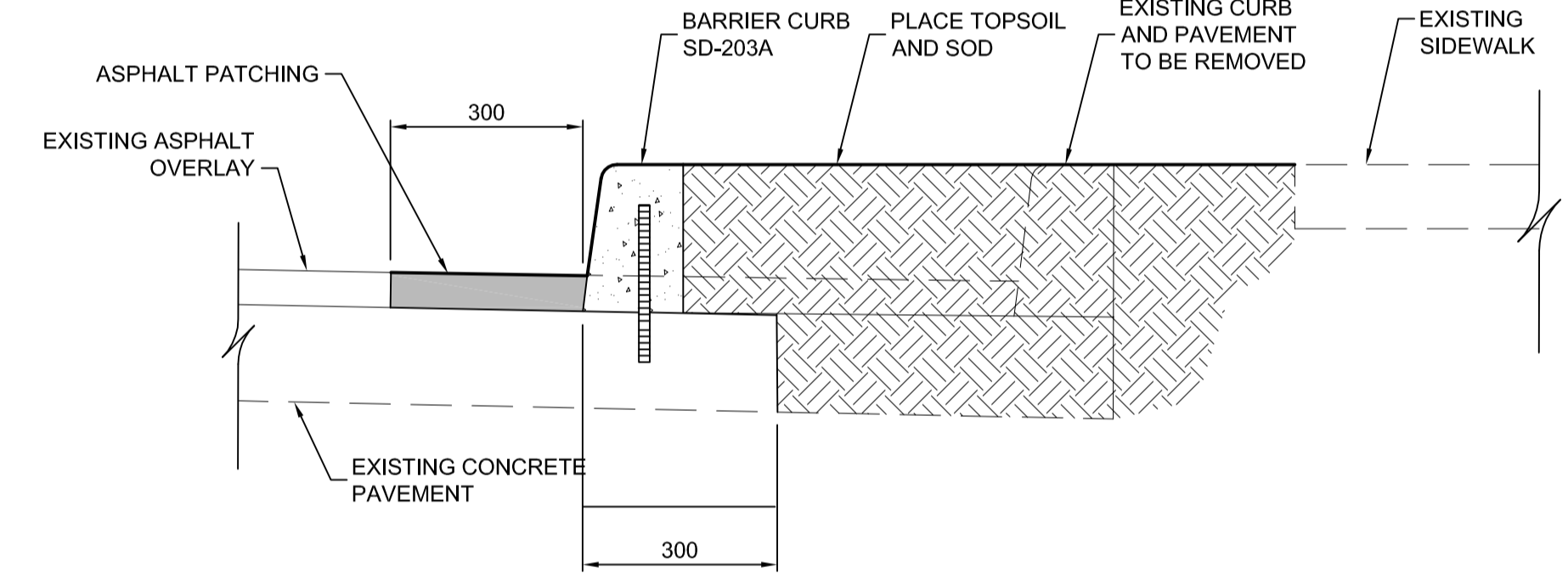
**1 MULTI-USE PATH AT SELKIRK-POWERS**  
SCALE: 1:20



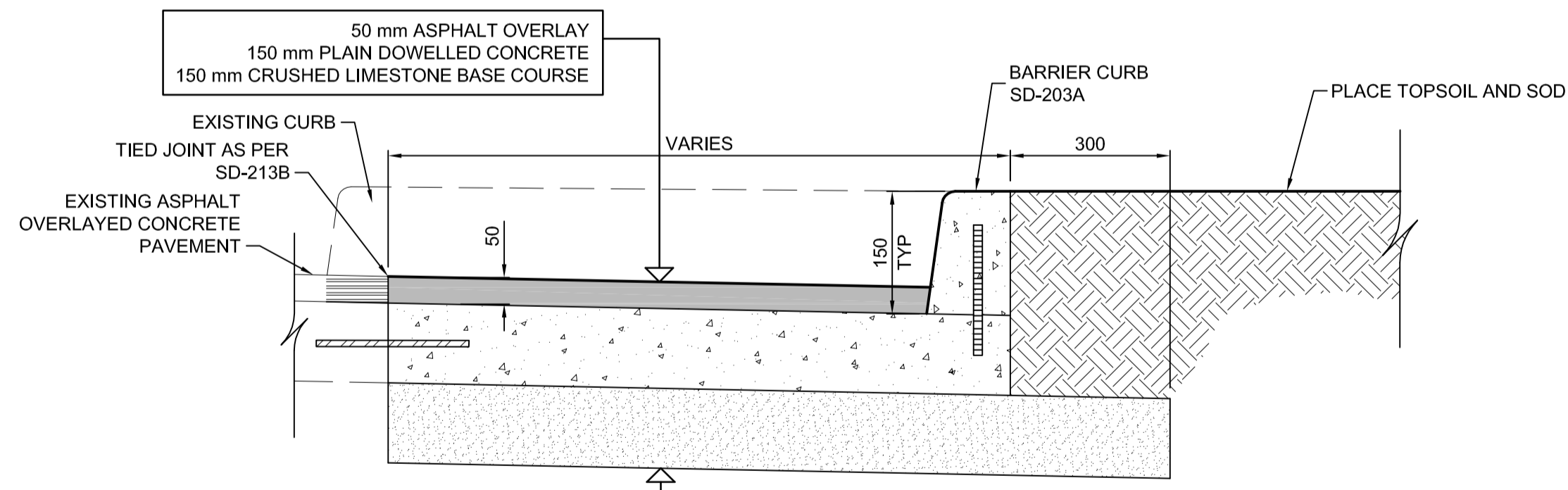
**2 RAISED INTERSECTION SECTION (CROSSWALK CL)**  
SCALE: H - 1:20 V - 1:10



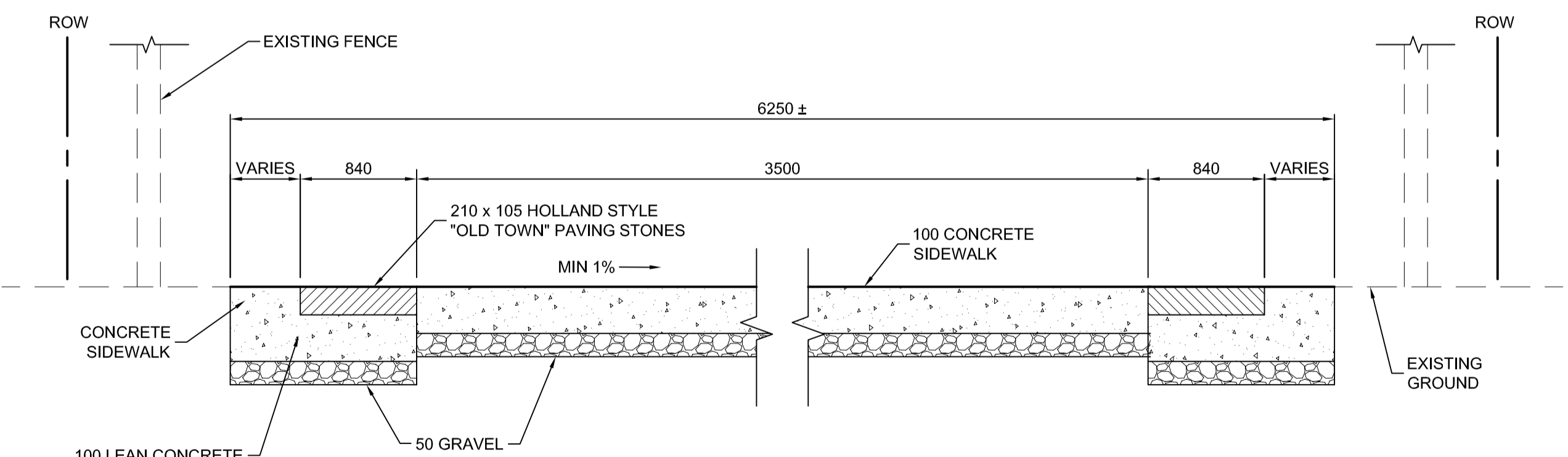
**3 RAISED INTERSECTION SECTION (ROAD CL)**  
SCALE: H - 1:20 V - 1:10



**4 CURB EXTENSION DETAIL**  
SCALE: 1:10



**4 RADIUS IMPROVEMENT**  
SCALE: 1:10



**5 ARBY BAY SIDEWALK**  
SCALE: 1:10

- CONSTRUCTION NOTES FOR ROADWAY:**
1. RAISED INTERSECTION AND CURB EXTENSION CURB HEIGHT TYPICALLY 100 mm. CURB TO BE REPLACED AS DIRECTED BY CONTRACT ADMINISTRATOR.
  2. ALL DIMENSIONS ARE TO BACK OF CURB.
  3. ADJUST OR REPLACE EXISTING DRAINAGE INLETS AND MANHOLES AS DIRECTED BY THE CONTRACT ADMINISTRATOR.
  4. RAISE EXISTING MANHOLES IN TRAFFIC CIRCLES AND RAISED INTERSECTIONS TO MATCH GRADE.
  5. ISOLATE MISCELLANEOUS ITEMS IN NEW CONCRETE WORKS AS PER SD-228C.
  6. LEGAL PLAN AND UNDERGROUND INFORMATION FROM CITY OF WINNIPEG LBIS.
  7. TRAFFIC SIGNAL POLES, CONTROLLERS AND UNDERGROUND APPURTENANCES IN PROJECT AREA TO BE UPGRADED BY OTHERS.
  8. CONTRACTOR TO TAKE PRECAUTIONARY STEPS TO AVOID DAMAGE FROM CONSTRUCTION ACTIVITIES TO TREES WITHIN THE LIMITS OF CONSTRUCTION.
  9. LOCATION OF EXISTING SERVICES TO BE CONFIRMED IN THE FIELD BY THE CONTRACTOR.
  10. PLANE OR REMOVE EXISTING ASPHALT OVERLAY WHEN PINNING NEW CURB ON UNDERLYING CONCRETE PAVEMENT.
  11. LIMITS OF CURB AND SIDEWALK REPLACEMENT, JOINT AND SLAB REPAIRS, AND TIE INS TO BE FINALIZED IN THE FIELD BY THE CONTRACT ADMINISTRATOR.
  12. DETECTABLE WARNING TILES TO BE PLACED AT ALL CROSSINGS OF RAISED INTERSECTIONS, ANY WORK AT P1 (REGIONAL) STREETS, AND OTHER LOCATIONS AS DIRECTED BY THE CONTRACT ADMINISTRATOR.
  13. SEE SHEET 15 FOR TYPICAL TRAFFIC CALMING CIRCLE DETAILS AND SECTIONS.
  14. SEE SHEET 16 FOR TYPICAL RAISED INTERSECTION DETAILS AND SECTIONS.
  15. SEE SHEET 16 FOR TYPICAL CURB EXTENSION DETAIL.
  16. SEE SHEET 16 FOR TYPICAL RADIUS RECONSTRUCTION DETAIL.

**METRIC**

WHOLE NUMBERS INDICATE MILLIMETRES  
DECIMALIZED NUMBERS INDICATE METRES

**WARNING**

IF POWER EQUIPMENT OR EXPLOSIVES ARE TO BE USED FOR EXCAVATION ON THIS PROJECT THE CONTRACTOR MUST:

1. NOTIFY THE GAS COMPANY OF THE PROPOSED LOCATION OF EXCAVATION.
2. TAKE PRECAUTION TO AVOID DAMAGE TO GAS COMPANY INSTALLATIONS SEE PROVINCIAL REGULATION 210/72 FOR DETAILS.

**APEGM**  
Certificate of Authorization  
**Dillon Consulting Limited (MB)**  
No. 1789 Date: JUNE 23, 2010

150 W.M.	150 W.M.	HYDRO	HYDRO	HYDRO	150 mm W.M.	150 mm W.M.	150 mm W.M.
WATERMAIN	HYDRANT	MTS	MTS	MTS	WATERMAIN	HYDRANT	VALVE
VALVE	VALVE				CONCRETE	CONCRETE	CONCRETE
300 LDS	300 LDS				ASPHALT	ASPHALT	ASPHALT
250 WWS	250 WWS				PLANING	PLANING	PLANING
MANHOLE	MANHOLE				SIDEWALK	SIDEWALK	SIDEWALK
CATCH BASIN	CATCH BASIN				PAVING STONES	PAVING STONES	PAVING STONES
CURB INLET	CURB INLET				PARTIAL DEPTH REPAIR	PARTIAL DEPTH REPAIR	PARTIAL DEPTH REPAIR
JUNCTIONS	JUNCTIONS				PROPERTY LINE	PROPERTY LINE	PROPERTY LINE
CULVERT	CULVERT				SURVEY BAR	SURVEY BAR	SURVEY BAR
100 GAS	100 GAS				CURB RAMP	CURB RAMP	CURB RAMP
EXISTING	LEGEND-PLAN	PROPOSED	EXISTING	LEGEND-PLAN	PROPOSED	EXISTING	LEGEND-PROFILE

**UNDERGROUND STRUCTURES**

SUPPLY, U/G STRUCTURES COMMITTEE DATE

NOTE:  
LOCATION OF UNDERGROUND STRUCTURES AS SHOWN ARE BASED ON THE BEST INFORMATION AVAILABLE, BUT NO GUARANTEE IS GIVEN THAT ALL EXISTING UTILITIES ARE SHOWN OR THAT THE GIVEN LOCATIONS ARE EXACT. CONFIRMATION OF EXISTENCE AND EXACT LOCATION OF ALL SERVICES MUST BE OBTAINED FROM THE INDIVIDUAL UTILITIES BEFORE PROCEEDING WITH CONSTRUCTION.

B.M. ELEV.	NO.	REVISIONS	DATE	BY
	2	ISSUED FOR TENDER	06/23/10	DBW
	1	ISSUED FOR 75% REVIEW	06/11/10	DBW

DESIGNED BY	DRAWN BY	CHECKED BY	APPROVED BY	HOR. SCALE	VERTICAL SCALE	RELEASED FOR CONSTRUCTION
SPC	TJH	DBW		AS NOTED	AS NOTED	

**DILLON CONSULTING**

PROVINCE OF MANITOBA  
REGISTERED PROFESSIONAL ENGINEER  
D.B. WIEBE  
06/23/10  
Member 22480

CONSULTANT PROJECT NUMBER  
**09-2692**

**THE CITY OF WINNIPEG**  
PUBLIC WORKS DEPARTMENT

2010 ACTIVE TRANSPORTATION INFRASTRUCTURE STIMULUS PROGRAM  
NORTH WINNIPEG

CITY DRAWING NUMBER  
W-378-16

SHEET 16 OF 16

CONSULTANT DRAWING NUMBER

DETAILS (2 OF 2)

G:\CAD\092692\Contract\ATP-SECTIONS-DETAILS.dwg