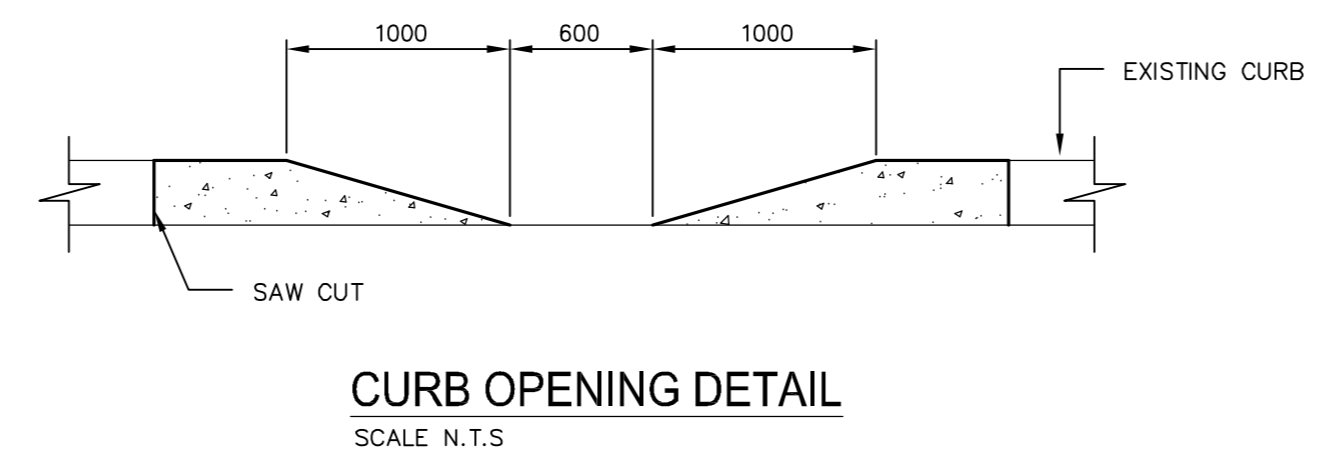
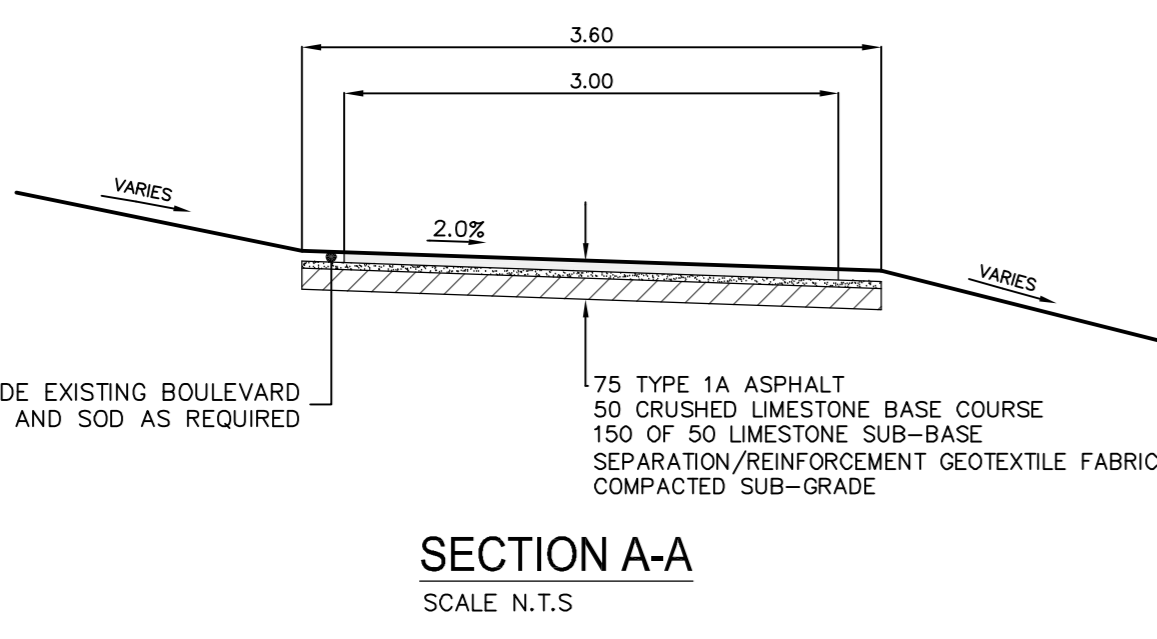


MATCHLINE - SEE DWG. 5509114-C-001 STA 4+20

MATCHLINE - SEE DWG. 5509114-C-003 STA 7+80



- NOTES:**
- ALL WORK AND MATERIALS TO BE IN ACCORDANCE WITH THE LATEST REVISIONS OF THE CITY OF WINNIPEG STANDARD CONSTRUCTION SPECIFICATIONS.
  - CONTRACTOR TO VERIFY DEPTH OF UTILITIES PRIOR TO CONSTRUCTION.
  - LOCATION OF UNDERGROUND STRUCTURES AS SHOWN ARE BASED ON THE BEST INFORMATION AVAILABLE, BUT NO GUARANTEE IS GIVEN THAT ALL EXISTING UTILITIES ARE SHOWN OR THAT THE GIVEN LOCATIONS ARE EXACT. CONFIRMATION OF EXISTENCE AND EXACT LOCATION OF ALL SERVICES MUST BE OBTAINED FROM THE INDIVIDUAL UTILITIES BEFORE PROCEEDING WITH CONSTRUCTION.
  - EXCAVATED MATERIAL TO BE USED AS BACKFILL WHERE REQUIRED.
  - ALL SURFACES TO BE MAINTAINED OR RESTORED TO PREVIOUS CONDITION OR BETTER.



**METRIC**  
WHOLE NUMBERS INDICATE MILLIMETERS  
DECIMALIZED NUMBERS INDICATE METERS

NOTE:  
These design documents are prepared solely for the use by the party with whom the design professional has contracted for a particular project. Any use or reproduction of any kind made by the design professional or any party with whom the design professional has contracted for a particular project is excluded.

231.99	ELEVATION	(32.50)	---	EXISTING GROUND	---	---	---
⊙	WATER VALVE	●	---	PROPOSED CENTERLINE	---	---	---
○	MANHOLE	●	---		---	---	---
□	CATCH BASIN	■	---		---	---	---
---	MTS CABLE		---		---	---	---
---	LDS		---		---	---	---
---	WWS		---		---	---	---
---	WATER		---		---	---	---
---	PROPERTY LINE		---		---	---	---
HP	HYDRO POLE		---		---	---	---
HP	HYDRO POLE WITH LIGHT		---		---	---	---
---	EXISTING	---	---	LEGEND-PLAN	---	---	---
---	LEGEND-PLAN	---	---	EXISTING	---	---	---
---	PROPOSED	---	---	LEGEND-PROFILE	---	---	---
---	EXISTING	---	---	PROPOSED	---	---	---
---	LEGEND-PLAN	---	---	EXISTING	---	---	---
---	LEGEND-PROFILE	---	---	PROPOSED	---	---	---

**LOCATIONS APPROVED**

UNDERGROUND STRUCTURES

SIGNED BY: \_\_\_\_\_ DATE: \_\_\_\_\_

SUPV U/G STRUCTURES \_\_\_\_\_ DATE \_\_\_\_\_

LOCATION OF UNDERGROUND STRUCTURES AS SHOWN ARE BASED ON THE BEST INFORMATION AVAILABLE, BUT NO GUARANTEE IS GIVEN THAT ALL EXISTING UTILITIES ARE SHOWN OR THAT THE GIVEN LOCATIONS ARE EXACT. CONFIRMATION OF EXISTENCE AND EXACT LOCATION OF ALL SERVICES MUST BE OBTAINED FROM THE INDIVIDUAL UTILITIES BEFORE PROCEEDING

**G.B.M.**  
ELEV. 232.912m

5. 500 PANDORA AVE W @ BISMARCK ST. 36.7 ON TOP OF 0.10 M. 14.54 M. FROM CURB. 6.0 M. W. OF E. SIDE OF PANDORA AVE. 8.8 M. W. OF S. SIDE OF S. CORN. PAV. ON PANDORA AVE W ON E. OF W. WINDY ST. @ 20.34 S. OF N.L. PANDORA AVE W

NO.	REVISIONS	DATE	BY
4	-	-	-
3	-	-	-
2	ISSUED FOR TENDER	06.07.10	WTJ
1	ISSUED FOR REVIEW	23.06.10	WTJ

**MMM GROUP**

DESIGNED BY: RP  
DRAWN BY: TR

CHECKED BY: -  
APPROVED BY: WTJ

HOR. SCALE 1:500  
VERTICAL 1:50

DATE: 04.06.10

**ENGINEER'S SEAL**

PROVINCE OF MANITOBA  
Member  
20782

CONSULTANT ACAD DWG. NO.  
5509114-C-02

**CITY OF WINNIPEG**  
PUBLIC WORKS DEPARTMENT  
TRANSPORTATION ENGINEERING DIVISION

2010 ACTIVE TRANSPORTATION/  
INFRASTRUCTURE STIMULUS PROGRAM  
PANDORA AVENUE - PLESSIS ROAD TO DAY STREET

**BIKE PATH**  
STA. 4+20 TO 7+80

**C-02**

SHEET 2 OF 5

Jun 29, 2010 - 8:56am  
P:\5509114-C-001\5509114-000\_2010 Active Transportation Infrastructure Stimulus Program\MMM Drawings\Pandora\5509114 Pandora 290610.dwg - Job: Pandora C-02