

- DEMOLITION/RENOVATION NOTES:**
FOR THIS DRAWING A3 ONLY
- REMOVE & DISPOSE OF LOOSE PAINT FROM ENTIRE EXISTING STEEL STAIR RAILING FROM SECOND TO MAIN FLOOR. PREPARE & PAINT RAILING. CONTRACTOR TO TIGHTEN ALL LOOSE RAILING BRACKETS & HARDWARE AS REQUIRED.
 - SAND (4) EXISTING WOOD FLOOR BLOCKS @ WAITING AREA ENTRANCES. APPLY 3 COATS OF CLEAR POLYURETHANE TO WOOD BLOCKS.
 - REMOVE & DISCARD EXISTING (2) TRANSITION STRIPS (CARPET TO MARBLE FLOOR) AT ENTRANCES TO GENERAL AREA. REMOVE FRAYED CARPET EDGES. APPLY ADHESIVE & ANCHOR PLYWD. SUB-STRATE FLOOR. SUPPLY & INSTALL (2) NEW METAL TRANSITIONS STRIPS.
 - FLOOR REPLACEMENT. SEE LEGEND.
 - FLOOR DEMOLITION & RENOVATION WORK. SEE LEGEND.
 - LOCATION OF MARBLE WAINSCOTING FROM BASEMENT TO SECOND FLOOR. SECOND FLOOR WAINSCOTING REPAIRS TO STOP AT LOCATION AS SHOWN ON SECOND FLOOR PLAN. SEE LEGEND.
 - TYPICAL NEWEL POST RENOVATION WORK. SEE LEGEND.
 - NEW WOOD RAILING (SEE ELEVATION), REPAIR EXISTING MARBLE CURB, SKIRTING & CAPPING PRIOR TO INSTALLATION OF NEW RAILING. SECURE NEW RAILING TO EXISTING NEWEL POSTS W/ MATCHING METAL BRACKETS (NP-2 & NP-3 FULL WIDTH OF OPENING), PREPARE ALL WOOD, METAL BRACKETS FOR NEW PAINT.
 - NEW CENTER RAILING. SEE ELEVATION.
 - PREPARE & PAINT EXISTING HOT WATER RADIATOR PIPE INSULATION. PRIME, PAINT & RE-INSTALL EXISTING RADIATOR COVER. SEE RENOVATION DWG. A1 FOR REPAIRS TO RAD & COVER.
 - REMOVE FLOOR RECEPTACLE. SEE LEGEND.

LEGEND

FLOOR & STAIR LANDING DEMOLITION & RENOVATION WORK:
ROUTE & CLEAN OUT ALL CRACKS FROM EXISTING TERRAZZO & MARBLE FLOORS. REMOVE & DISPOSE OF ALL LOOSE GROUT, ALL CAULKING & EXISTING FLOOR PATCHWORK. APPLY NEW GROUT & PATCHWORK TO MATCH. RESET EXISTING LOOSE PERIMETER MARBLE FLOOR TILES AS REQUIRED & APPLY GROUT. CONTRACTOR TO REMOVE & DISCARD EXISTING IN-FLOOR ELECTRICAL & PLUMBING PIPES STUBS BELOW EXISTING FLOOR SURFACES & BACK TO BASEMENT SOURCES PRIOR TO INSTALLING NEW FLOOR PATCHWORK. SEE TERRAZZO / MARBLE SPECIFICATIONS.

SAW CUT, REMOVE & DISCARD OVERLAY FLOOR PATCHWORK DOWN TO CONCRETE SUB-FLOOR (**CAUTION: FLOOR MAY CONTAIN ASBESTOS - SEE NOTES ON DRAWING A1**). REMOVE AS REQUIRED EXISTING PATCH FROM MARBLE STAIR TOP TREAD. RESTORE MARBLE TREAD TO MATCH EXISTING TREADS. PREPARE FLOOR SURFACE FOR NEW TERRAZZO FLOOR PATCH. APPLY NEW TERRAZZO PATCH TO SAW CUT AREA & ALL OTHER AREAS OF WHERE PATCHING IS REQUIRED. SEE TERRAZZO / MARBLE SPECIFICATIONS.

BASEMENT, MAIN & SECOND FLOOR STAIR DEMOLITION & RENOVATION WORK:
STAIRWAYS: 103, 106 & B01
CLEAN OUT & DISPOSE OF LOOSE GROUT & ALL CAULKING FROM MARBLE STAIR TREADS, RISERS, INSIDE & OUTSIDE STRINGERS, CAPS & MOULDINGS. PATCH HOLES IN CENTER STAIR TREADS WHERE OLD RAILING WAS REMOVED. PREPARE SURFACES AND APPLY NEW GROUT TO MATCH. **CLEAN & POLISH ALL ITEMS NOTED.**
CLEAN, STRIP OFF EXISTING FINISH (WAX), AND RE-SEAL WITH APPROPRIATE SEALER TO ALL ITEMS NOTED.

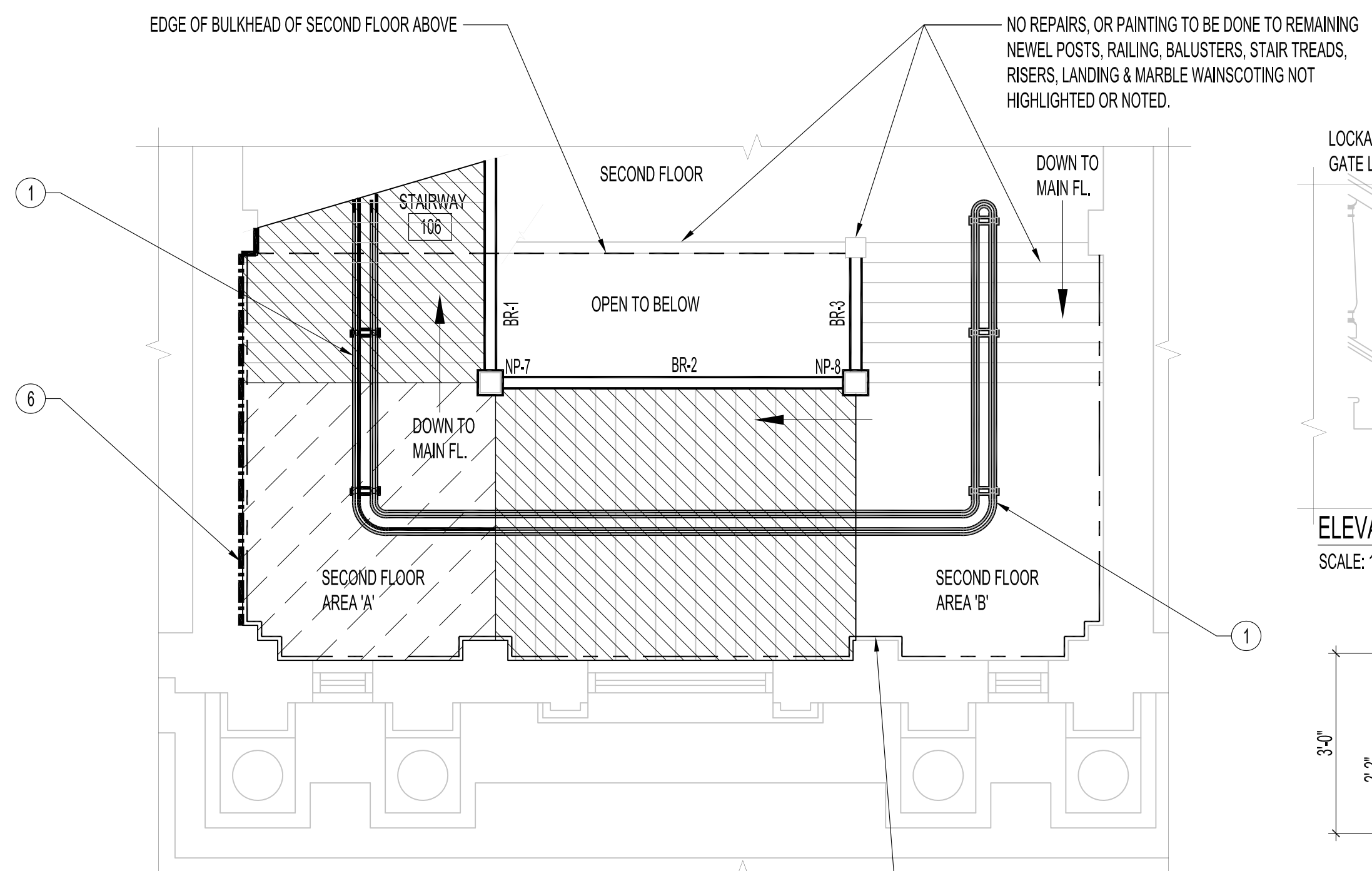
NEWEL POST RENOVATION WORK:
NEWEL POSTS: NP-1, NP-2, NP-3, NP-4, NP-5, NP-7 & NP-8
CLEAN OUT, DISPOSE & REPLACE LOOSE GROUT & ALL CAULKING FROM EXISTING MARBLE NEWEL POSTS. PATCH EXISTING HOLES TO MATCH. CLEAN & POLISH AFTER ALL REPAIRS.
NEWEL POST: NP-06
REPAIR NEWEL POST INTERIOR POST COLUMN TO SOLID CONDITION & RE-ATTACH MARBLE PANELS. PREPARE FOR NEW GROUT. CLEAN & POLISH AFTER ALL REPAIRS.

BASEMENT, MAIN & SECOND FLOOR BALUSTERS & RAILINGS RENOVATION WORK
BALUSTER & RAILINGS BR-1, BR-2, BR-3, BR-4, BR-5, BR-6, BR-7
REMOVE & DISPOSE OF LOOSE PAINT FROM HAND RAILINGS, BALUSTERS & ASSOCIATED WOODWORK. PREPARE FOR NEW PAINT. PAINT ALL RAILINGS, BALUSTERS AND ASSOCIATED WOODWORK & METAL BRACKETS AS SPECIFIED. **CAUTION: EXISTING PAINT MAY CONTAIN LEAD. SEE CAUTION NOTES ON A1.**

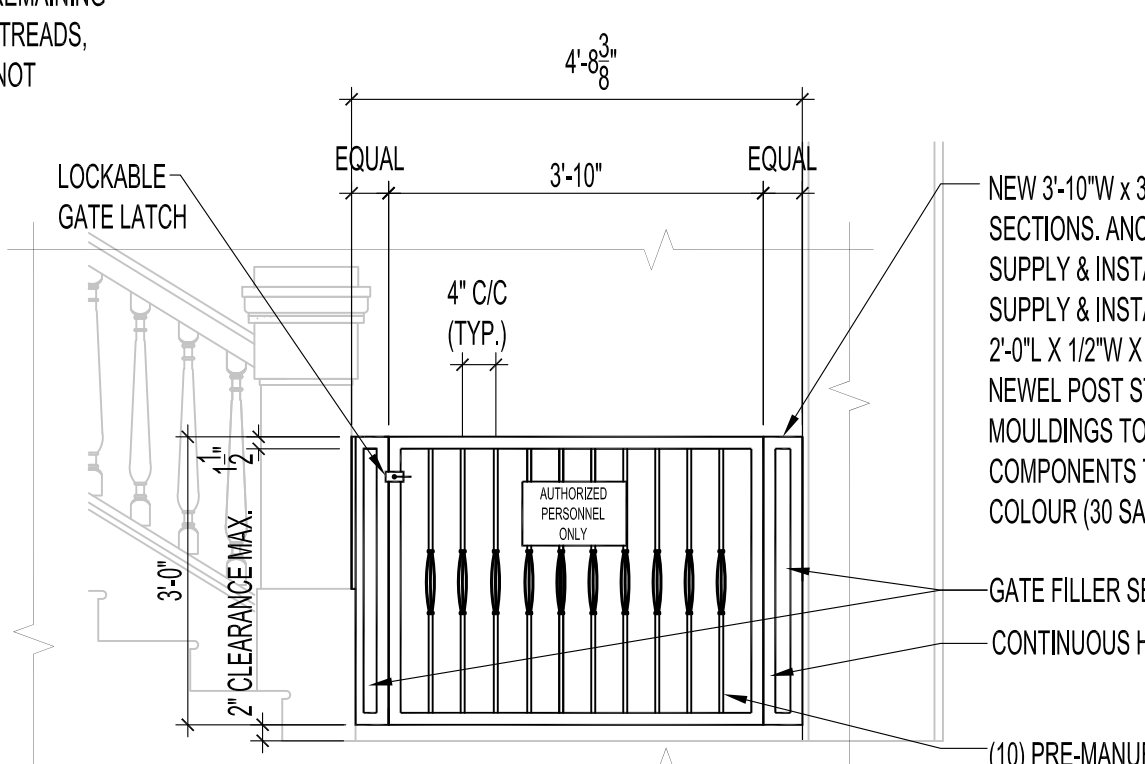
BASEMENT, MAIN & SECOND FLOOR WAINSCOTING RENOVATION WORK:
ROOMS: 101, 102, 104
STAIRWAYS: 103, 106 & B01
ROUTE, CLEAN OUT & REPLACE LOOSE GROUT, ALL CAULKING & PATCHWORK FROM EXISTING MARBLE WALL WAINSCOTING. APPLY NEW GROUT, CAULKING & PATCHWORK TO MATCH EXISTING. CLEAN ALL WAINSCOTING & POLISH.

BASEMENT, MAIN & SECOND FLOOR WALL PATCHING & PAINTING
(SEE DWG. A4 FOR ROOM FINISH SCHEDULE FOR PAINTING LOCATIONS & PAINT SPECIFICATIONS)
REPAIR / PATCH PLASTER ON ALL WALLS & PAINT. ALL DAMAGED WOOD MOULDINGS TO BE REPLACED AS REQUIRED AND PAINTED TO MATCH. **CAUTION: EXISTING PAINT MAY CONTAIN LEAD. SEE CAUTION NOTES ON A1.**
PAINT - PAINT 2 COATS. SEE PART 2 - PRODUCTS, 2.3 FINISHES.
LOCATION & LIMITATION OF SECOND FLOOR PAINTING IN STAIRS 106 & SECOND FLOOR AREAS 'A' & 'B'

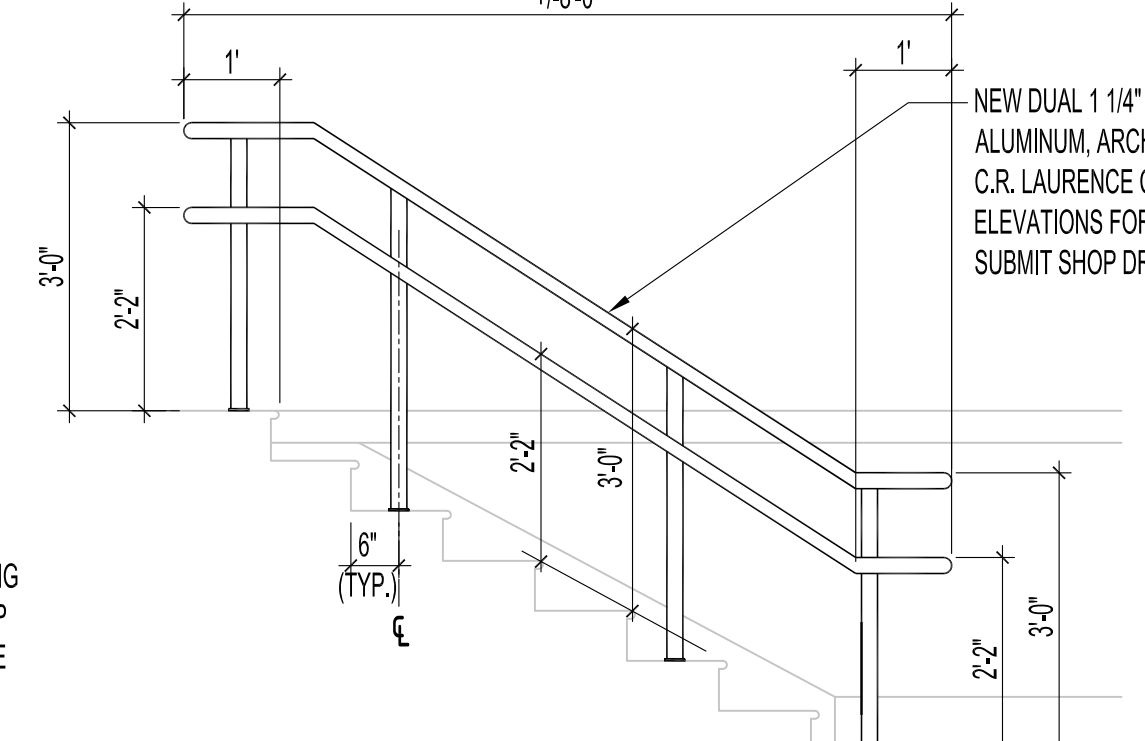
1 PARTIAL MAIN FLOOR PLAN - DEMOLITION & RENOVATION
SCALE: 1/4"=1'-0"



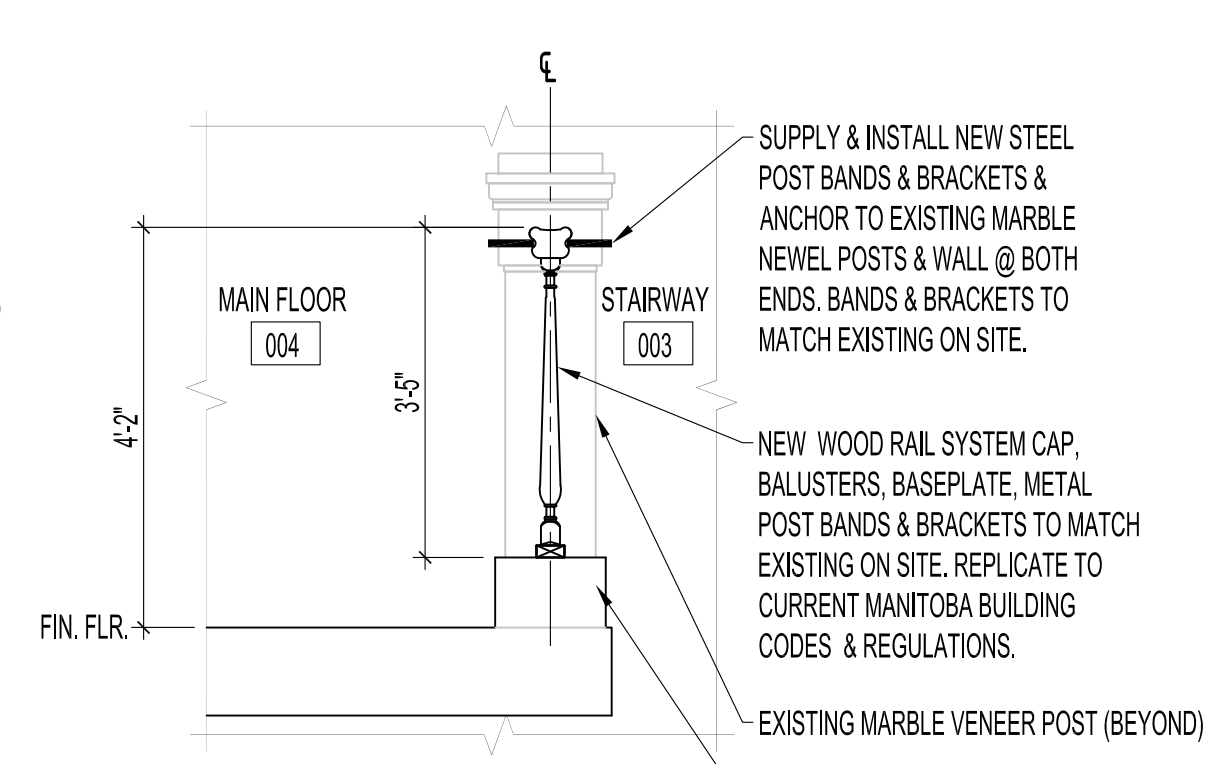
2 PARTIAL SECOND FLOOR PLAN - RENOVATION
SCALE: 1/4"=1'-0"



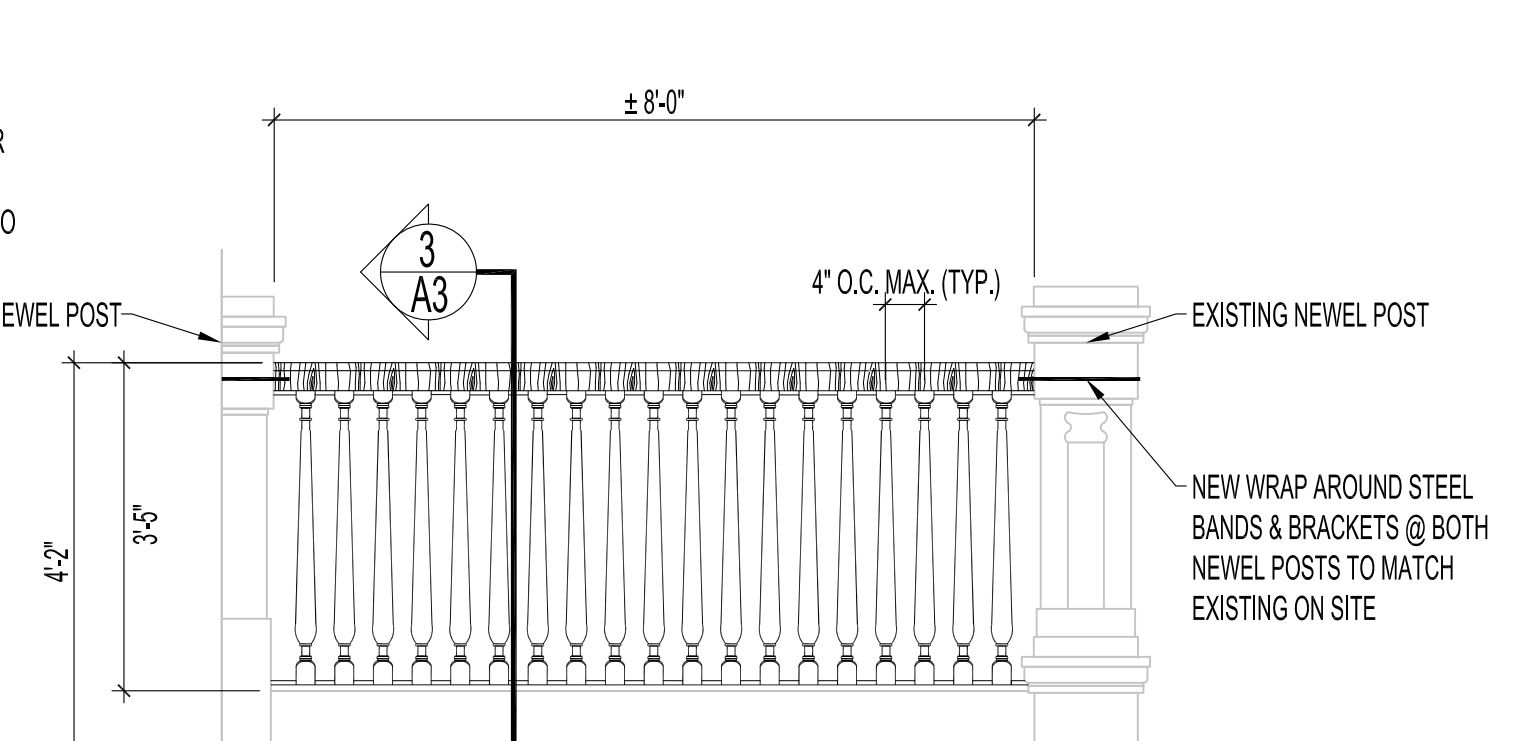
ELEVATION 'A' - NEW STAIR GATE
SCALE: 1/2" = 1'-0"



ELEVATION 'B' - NEW CENTER RAILING
SCALE: 1/2" = 1'-0"



3 RAILING SECTION
SCALE: 1/2" = 1'-0"



ELEVATION 'C' - NEW RAILING
SCALE: 1/2" = 1'-0"

1 -DELETE LAST NOTE IN LEGEND UNDER MMK 2010.11.22
BASEMENT, MAIN & SECOND FLOOR STAIR
DEMOLITION & RENOVATION WORK; & ADD
NEW NOTE SHOWN.

NO.	REVISION/DESCRIPTION	BY	DATE
SEALS			

CITY OF WINNIPEG
PLANNING, PROPERTY AND
DEVELOPMENT DEPARTMENT
MUNICIPAL ACCOMMODATIONS DIVISION
300 - 65 GARRY ST. R3C 4K4

PROJECT
ARCHIVES BUILDING
INTERIOR RENOVATIONS
& BARRIER FREE LIFT INSTALLATION
380 WILLIAM AVENUE

SHEET TITLE
PARTIAL MAIN & SECOND FLOOR PLANS
FLOOR, STAIR & WALL FINISHES,
SECTIONS & DETAILS

SCALE	PROJECT NO.	SHEET NO.
AS SHOWN	2008-079-03	A3R1