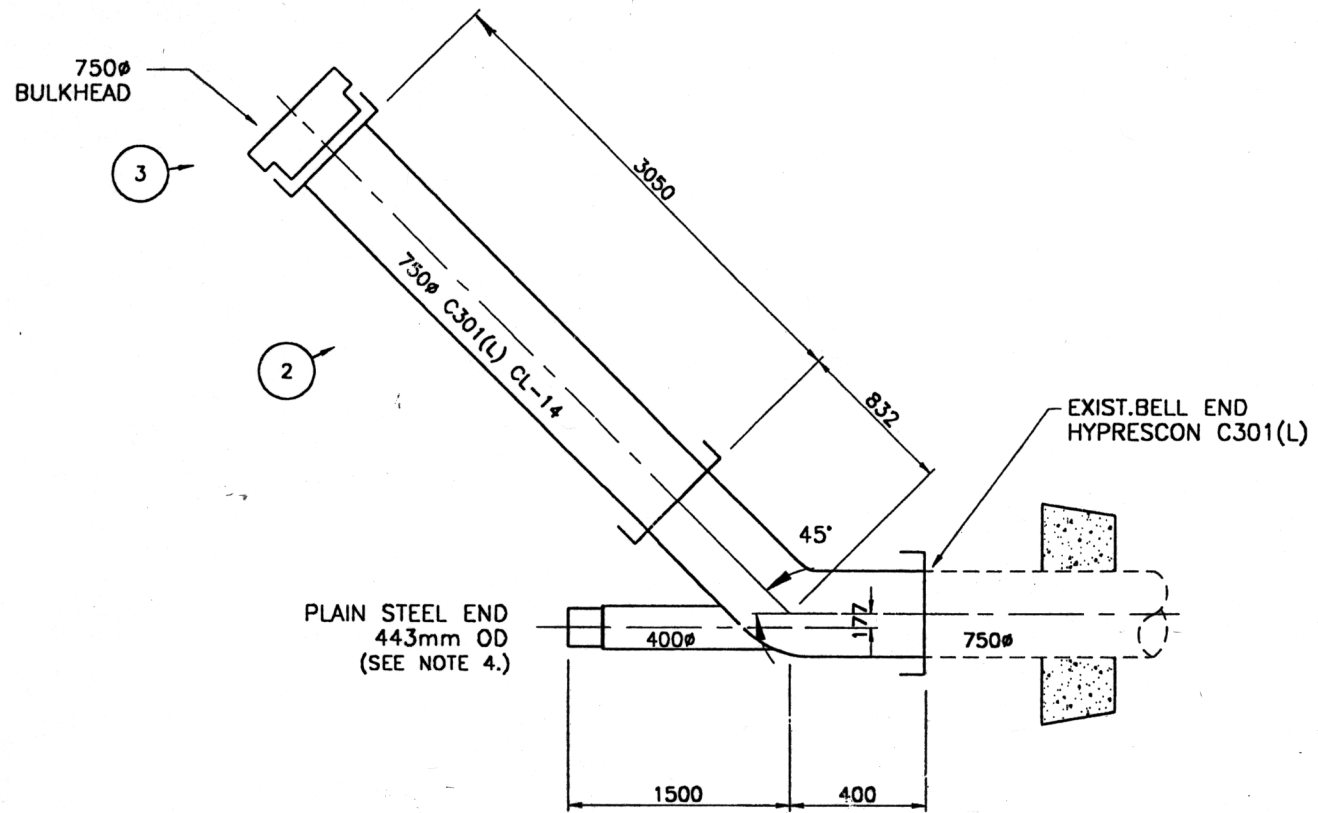


CADBORO RD



WAVERLEY STREET


NOTES :

- 1) GAP FOR EACH STD BELL/SPIGOT JOINT = 7 mm
- 2) MAXIMUM JOINT DEFLECTION PER STD BELL/SPIGOT JOINT = 1'07'
- 3) TYPE 50 CEMENT COATING AND LINING ON ALL PIPES & FITTINGS
- 4) PLAIN STEEL END SHALL BE PROTECTED AS FOLLOW:
 - GRIND OR SAND BLAST TO NEAR WHITE METAL
 - APPLY "BAR-RUST 233H" EPOXY FROM DEVOE

QTY	MKno	DIA.	DESCRIPTION	LENGTH	ENDS	REFERENCE
1	3	750	STD BULKHEAD	-	S	M554-15-750
1	2	750	SHORT C301(L) CLASS 14	3043	S/B	
1	1	750	45° ELBOW C/W 400 PSE OUTLET (TANG.)	400X825	S/B	C-1

REV.	DATE	REVISION	BY.

THIS DRAWING AND ALL TECHNICAL INFORMATION APPEARING HEREON ARE THE PROPERTY OF HYPRESCON INC. AND MUST BE KEPT IN CONFIDENCE BY THE RECIPIENT. THE SAME MAY NOT BE USED OR REPRODUCED EITHER IN WHOLE OR IN PART WITHOUT THE EXPRESS CONSENT OF HYPRESCON INC., WHICH RESERVES ALL RIGHTS OF COPYRIGHT.



899, BOUL. INDUSTRIEL UNIT #1
ST-EUSTACHE, Q.C. J7R 6G3 MISSISSAUGA, ONTARIO L5L 5M6
Tel.:(450) 623-2200 Tel.:(905) 569-6360
FAX.:(450) 623-3308 FAX.:(905) 569-6426

CITY OF WINNIPEG
WAVERLEY WATERMAIN EXTENSION
CONTRACT NO. 16
NELSON RIVER CONST.

SCALE: NOT TO SCALE DATE: 00/06/21

DRAWN SZ	CHECKED CD	APPROVED OB	PROJECT 9052-00	DWG. 1	REV.
-------------	---------------	----------------	--------------------	-----------	------