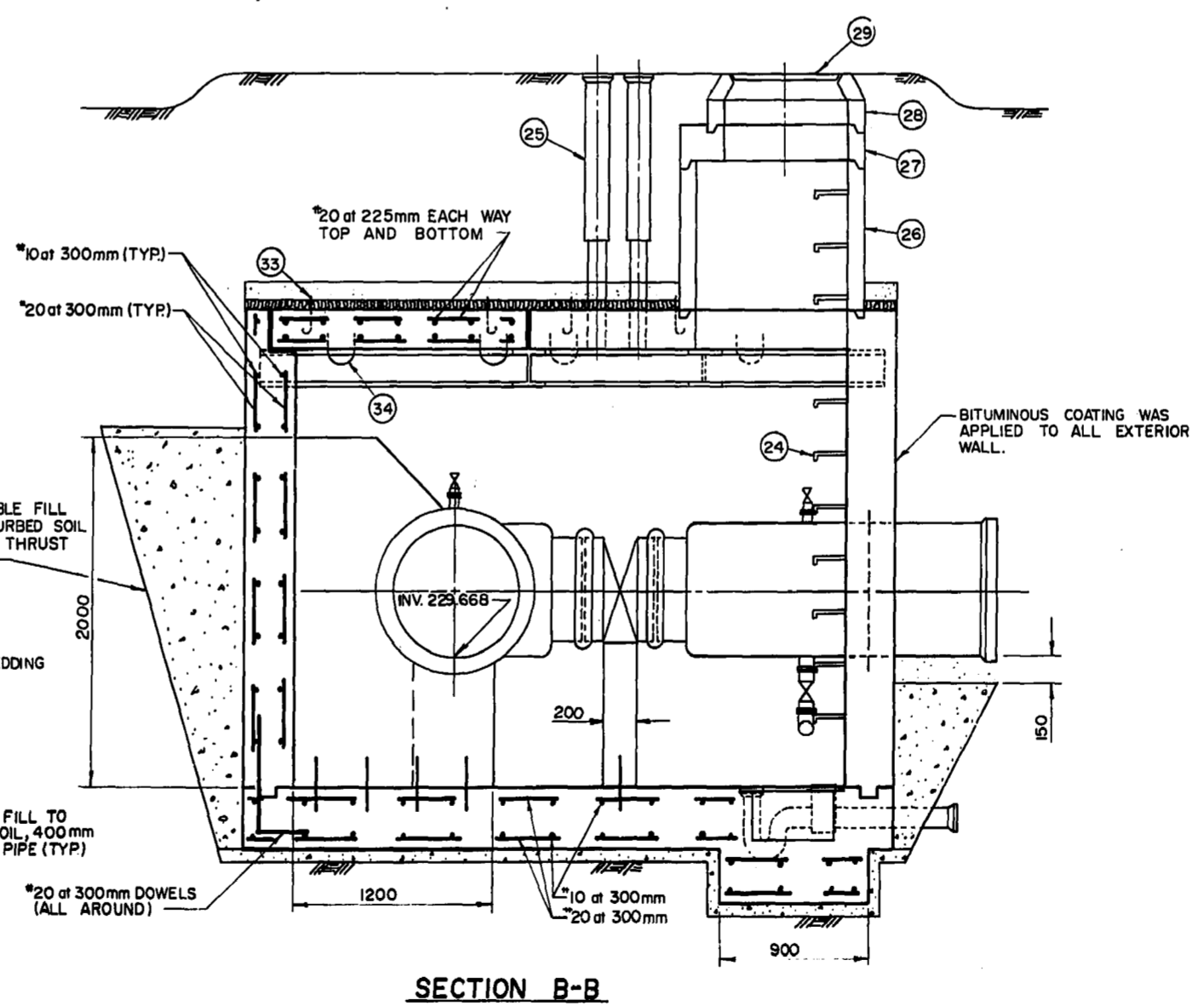
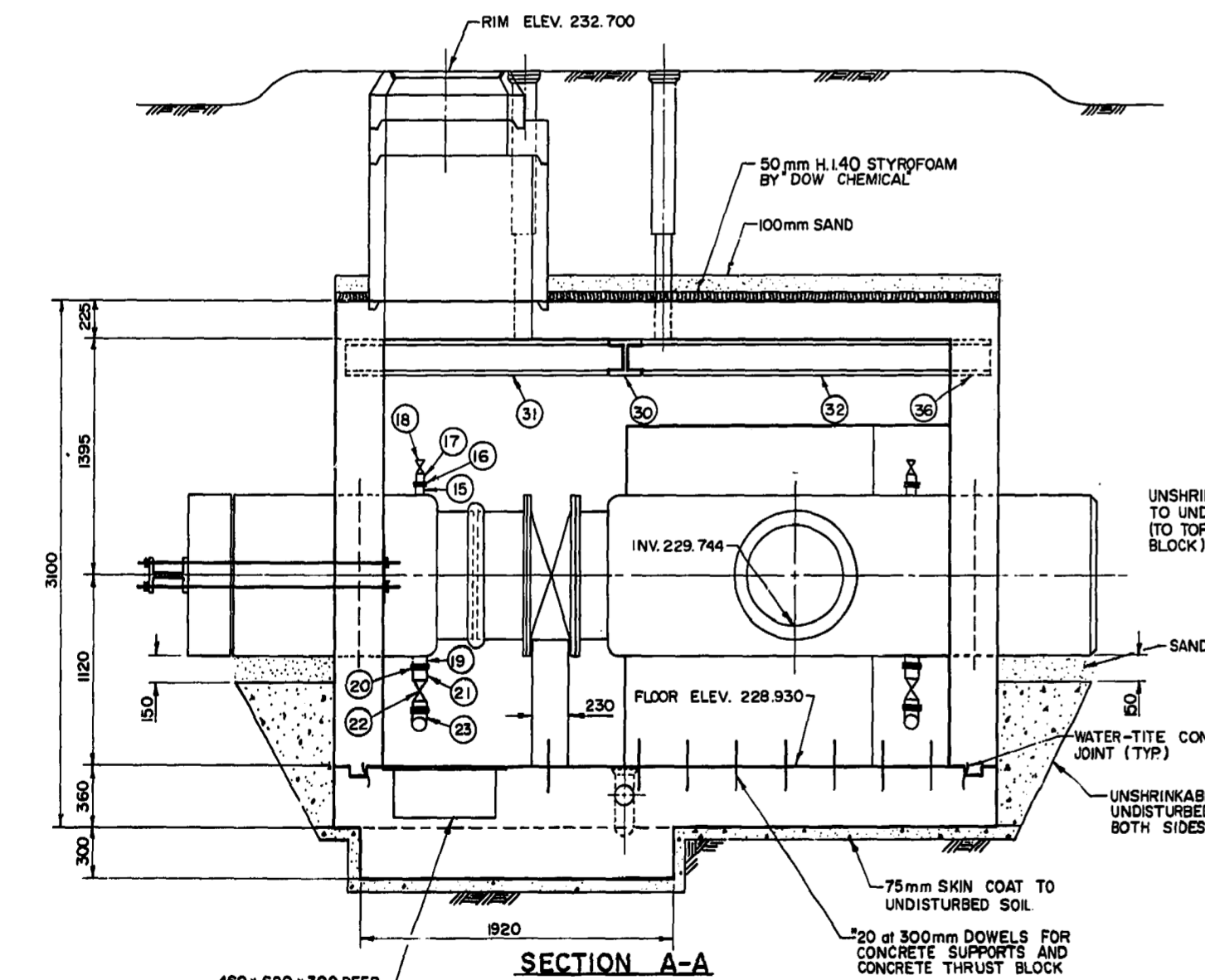
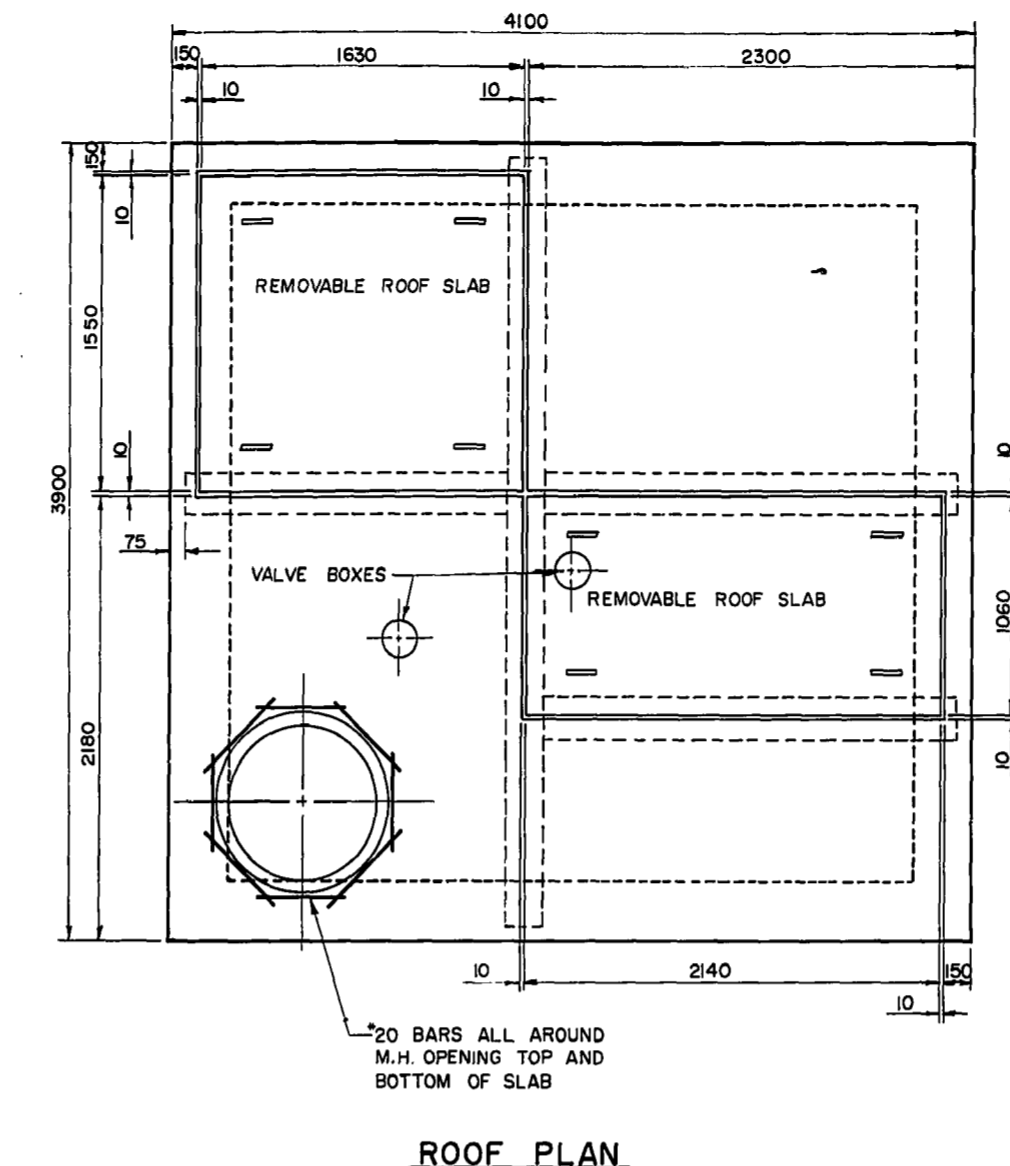
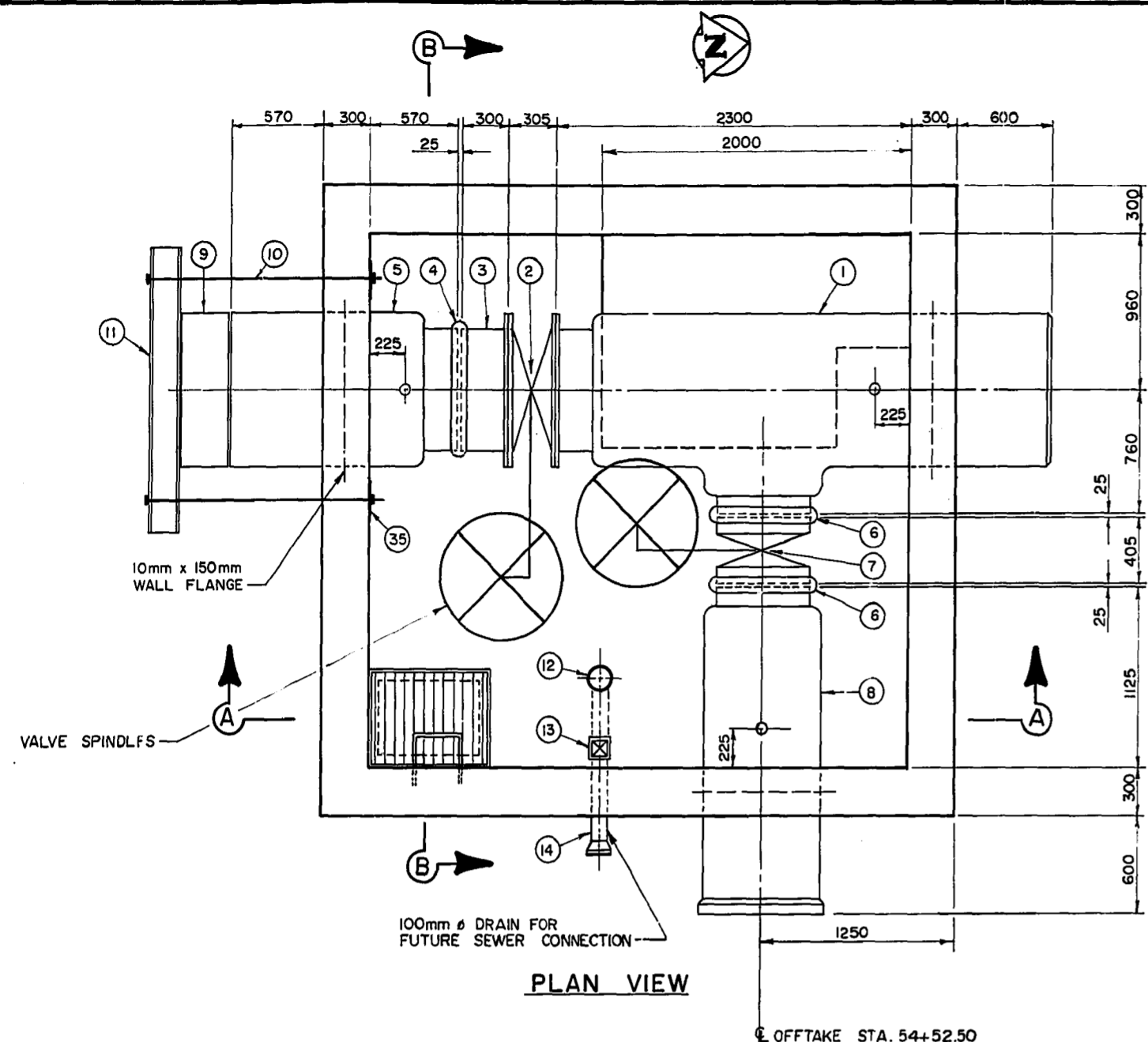


LIST OF MATERIALS

NO.	DESCRIPTION	LENGTH	QTY	DETAIL DWG. NO.
1.	750 x 750 x 600 CONCRETE TEE (SPIGOT TO FLANGE TO VIC #51)	3200	1	
2.	750 MM Ø SHORT BODY BUTTERFLY VALVE (AWWA) (ALLIS CHALMERS)	365	1	
3.	750 MM Ø PLATH STEEL PIPE (FLANGE TO VIC #51)	605	1	
4.	750 MM Ø VICTAULIC COUPLING STYLE #51		1	
5.	750 MM Ø CONCRETE PIPE WALL PIECE (VIC. #51 TO BELL)	1440	1	
6.	600 MM Ø VICTAULIC COUPLING STYLE #31		2	
7.	600 MM Ø SHORT BODY BUTTERFLY VALVE (AWWA) (ALLIS CHALMERS)	405	1	
8.	600 MM Ø CONCRETE PIPE WALL PIECE (VIC. #51 TO BELL)	2025	1	
9.	750 MM Ø CONCRETE BULKHEAD	380	1	
10.	ZINC ELECTROPLATED STEEL BOLTS, C/W ZINC ELECTROPLATED STEEL NUTS AND WASHERS (30 MM Ø)	TO SUIT	4	
11.	STEEL BEAM W8 x 24 (G 40-12)	1800	1	
12.	100 MM Ø C-1. "P" TRAP & DRAIN C/W SCREW ON COVER		1	
13.	100 MM Ø BACKWATER VALVE		1	
14.	100 MM Ø C-1. PIPE (SPIGOT TO BELL)		1	
15.	50 MM Ø STEEL OUTLET (FLANGED)		3	
16.	50 MM Ø THREADED FLANGE		3	
17.	50 MM Ø BRONZE NIPPLE (THREADED)		3	
18.	50 MM Ø BRONZE GATE VALVE (THREADED)		3	
19.	75 MM Ø STEEL OUTLET (FLANGED)		3	
20.	75 MM Ø THREADED FLANGE		3	
21.	75 MM Ø BRONZE NIPPLE (THREADED)		3	
22.	75 MM Ø BRONZE GATE VALVE (THREADED)		3	
23.	75 MM Ø STREET ELBOW - THREADED (GALVANIZED)		3	
24.	STANDARD CITY OF WINNIPEG MANHOLE STEPS AT 300 C-C		11	A-617A
25.	LARGE ADJUSTABLE VALVE BOX AND STANDARD CITY OF WINNIPEG COVER		2	SL-110
26.	900 MM Ø ASTM C-76 CLASS II PRECAST CONCRETE MANHOLE SECTIONS		1	
27.	900 MM Ø TO 750 MM Ø ASTM C-76 CLASS II PRECAST CONCRETE ECCENTRIC FLAT TOP REDUCER SECTION		1	
28.	750 MM Ø ASTM C-76 CLASS II PRECAST CONCRETE MANHOLE SECTION (OR 2 ROWS OF CONCRETE BRICK)		1	
29.	STANDARD CITY OF WINNIPEG MANHOLE FRAME & SOLID COVER		1	SL-100 SB-101
30.	STEEL BEAM W8 x 24 (G.40-12)	5750	1	
31.	STEEL BEAM W8 x 24 (G.40-12)	1760	1	
32.	STEEL BEAM W8 x 24 (G.40-12)	2220	2	
33.	LIFTING LUG		6	A-678A
34.	U-BOLT HOOK		4	A-677A
35.	STEEL BEARING PLATE 350 x 300 x 50 MM (G.40-12)		2	
36.	STEEL BEARING PLATE 225 x 200 x 15 MM (G.40-12)		5	



AS-CONSTRUCTED
 D. S. ... H. ... MAY 1985
 SURVEY ENGINEERING DATE
 WATERWORKS, WASTE & DISPOSAL DEPARTMENT

METRIC
 WHOLE NUMBERS INDICATE MILLIMETRES
 DECIMALIZED NUMBERS INDICATE METRES
 SEE MANUFACTURER'S FILE #F-1578-15 FOR CANON PIPE LAYING SCHEDULE & F-1718, F-1719 & F-1726, VALVES F-1713 & F-1717 REFER TO DWG. "D-1460"

<table border="1"> <tr> <td>DESIGNED BY:</td> <td>R. F.</td> <td>DRAWN BY:</td> <td>R. F.</td> </tr> <tr> <td>CHECKED BY:</td> <td>R. S.</td> <td>DATE:</td> <td>APRIL 23, 1981</td> </tr> <tr> <td>APPROVED BY:</td> <td><i>[Signature]</i></td> <td>DATE:</td> <td>1981 07 17</td> </tr> <tr> <td>NO.</td> <td>REVISIONS</td> <td>DATE</td> <td>APP.</td> </tr> </table>	DESIGNED BY:	R. F.	DRAWN BY:	R. F.	CHECKED BY:	R. S.	DATE:	APRIL 23, 1981	APPROVED BY:	<i>[Signature]</i>	DATE:	1981 07 17	NO.	REVISIONS	DATE	APP.		<p>THE CITY OF WINNIPEG WORKS & OPERATIONS DIVISION WATERWORKS WASTE & DISPOSAL DEPARTMENT</p>	SOUTH FORT GARRY FEEDERMAIN DETAILS OF OFFTAKE CHAMBER AT BISON DRIVE AND WAVERLEY STREET
	DESIGNED BY:	R. F.	DRAWN BY:	R. F.															
	CHECKED BY:	R. S.	DATE:	APRIL 23, 1981															
	APPROVED BY:	<i>[Signature]</i>	DATE:	1981 07 17															
NO.	REVISIONS	DATE	APP.																
RELEASED FOR CONSTRUCTION: <i>[Signature]</i> DATE: 1981 07 17																			
SCALE: 1:25 DRAWING NO.: D-1471																			
MICROFILMED JUL																			