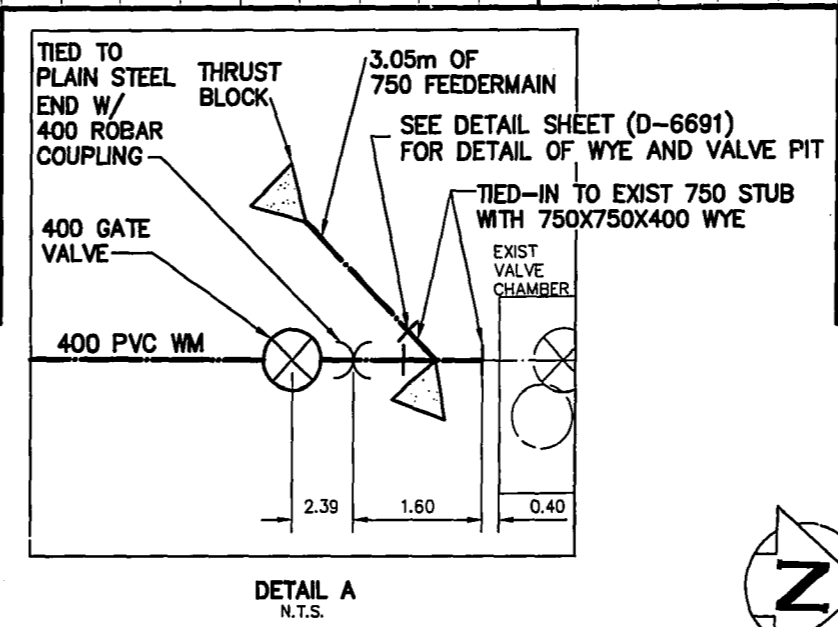
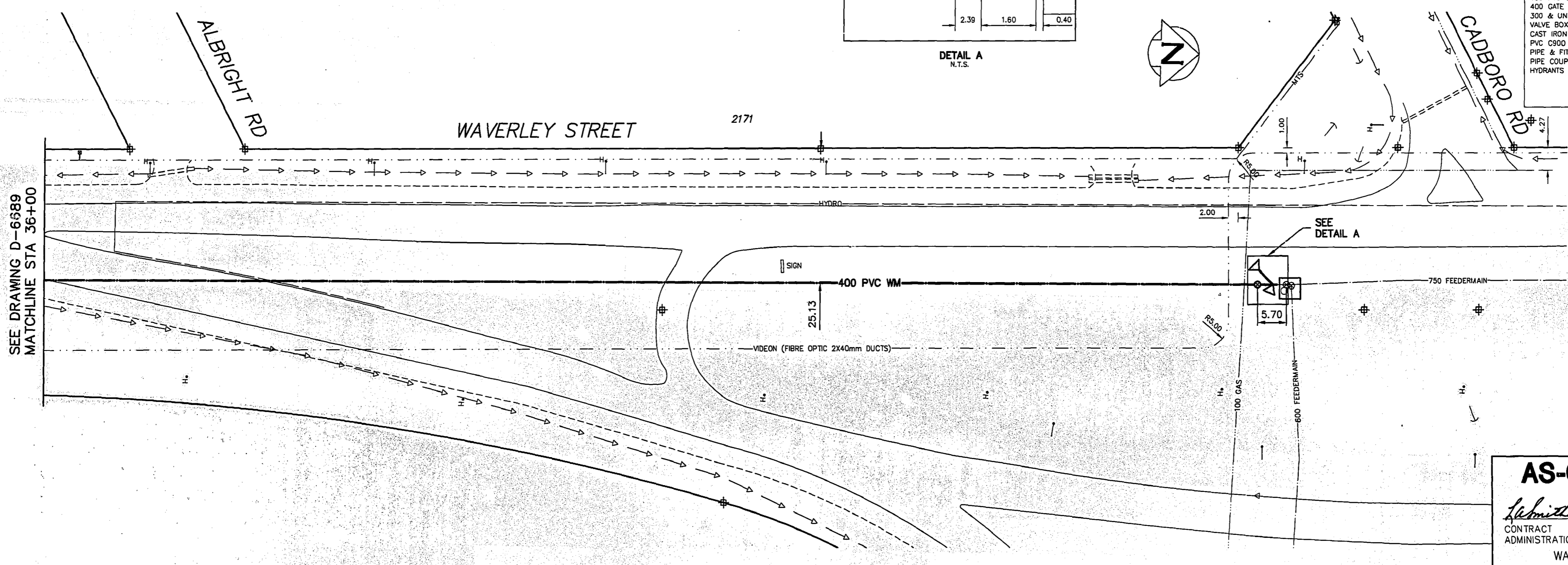


NOTE: CHAINAGES SHOWN ARE ALONG
 @ OF WATERMAIN



MATERIAL LIST	
400 PVC C905 DR18 CENTURION WATERMAIN PIPING	IPEX
150 PVC C900 SLUE BRUTE WATERMAIN PIPING	IPEX
400 GATE VALVES	AVK
300 & UNDER GATE VALVES	MUELLER
VALVE BOXES	W.D. VALVE BOX
CAST IRON FITTINGS	NORWOOD
PVC C900 FITTINGS	IPEX
PIPE & FITTING RESTRAINTS	W.D. VALVE BOX
PIPE COUPLINGS	ROBAR
HYDRANTS	MUELLER

CONTRACTOR: NELSON RIVER CONSTRUCTION



METRIC
 WHOLE NUMBERS INDICATE MILLIMETRES
 DECIMALIZED NUMBERS INDICATE METRES
 NOTE: ALL VALVES INSTALLED
 CLOCKWISE TO CLOSE

AS-CONSTRUCTED
 Contract Administration: *Submitt*
 Drafting & Graphic Services: *K. Dalt*
 DATE: 01.03.28
 WATER AND WASTE DEPARTMENT

PROJECT COMPLETION DATE:
 SEPTEMBER 29, 2000

200 WM	WATERMAIN	200 WM	SL, HYDRO	150 WM	WATERMAIN	150 WM
⊕	HYDRANT	⊕	MTS	⊕	HYDRANT	⊕
⊙	VALVE	⊙	TRAFFIC SIGNALS	⊙	VALVE	⊙
525 LDS	LAND DRAINAGE SEWER	525 LDS	50 GAS	300 LDS	LAND DRAINAGE SEWER	300 LDS
375 WWS	WASTEWATER SEWER	375 WWS	250 WWS	250 WWS	WASTEWATER SEWER	250 WWS
○	MANHOLE	○	⊗	⊗	FENCE	⊗
□	CATCH BASIN	□	⊗	⊗	POLE - HYDRO, MTS	⊗
▽	CURB INLET	▽	⊗	⊗	CURB STOP	⊗
△	REDUCER	△	⊗	⊗	GUY ANCHOR	⊗
X	COUPLER	X	⊗	⊗	LIGHT STANDARD	⊗
⊕	ANODE	⊕	⊗	⊗	TREE	⊗
EXISTING	LEGEND-PLAN	PROPOSED	EXISTING	LEGEND-PLAN	PROPOSED	EXISTING
⊕	LEGEND-PROFILE	⊕	⊕	LEGEND-PROFILE	⊕	PROPOSED

LOCATION APPROVED
 UNDERGROUND STRUCTURES
 SUPV. U/G STRUCTURES COMMITTEE DATE
 NOTE:
 LOCATION OF UNDERGROUND STRUCTURES AS SHOWN ARE BASED ON THE BEST INFORMATION AVAILABLE BUT NO GUARANTEE IS GIVEN THAT ALL EXISTING UTILITIES ARE SHOWN OR THAT THE GIVEN LOCATIONS ARE EXACT. CONFIRMATION OF EXISTENCE AND EXACT LOCATION OF ALL SERVICES MUST BE OBTAINED FROM THE INDIVIDUAL UTILITIES BEFORE PROCEEDING WITH CONSTRUCTION.

B.M. ELEV.	FIELD BOOK #:
POSTED TO LIS	
1.) REVISED TO AS-BUILT	01.03.27 WKT
NO. REVISIONS	DATE BY

**CITY OF WINNIPEG
 WATER AND WASTE
 ENGINEERING DIVISION**
 DESIGNED BY: NAC
 CHECKED BY: GI
 DRAWN BY: DS
 APPROVED BY:
 HOR. SCALE: 1:500
 VERTICAL: 1:50
 DATE: 2000 04 26
 RELEASED FOR CONSTRUCTION: DATE

ENGINEER'S SEAL
 0461-2000
 PLOT DATE: 2001 03 27

**THE CITY OF WINNIPEG
 WATER AND WASTE DEPARTMENT**
 WAVERLEY WATERMAIN EXTENSION
 CONTRACT No. 16
WAVERLEY STREET
 STA 36+00 TO 39+00
 SHEET 13 OF 14
 CITY DRAWING NUMBER
D-6690