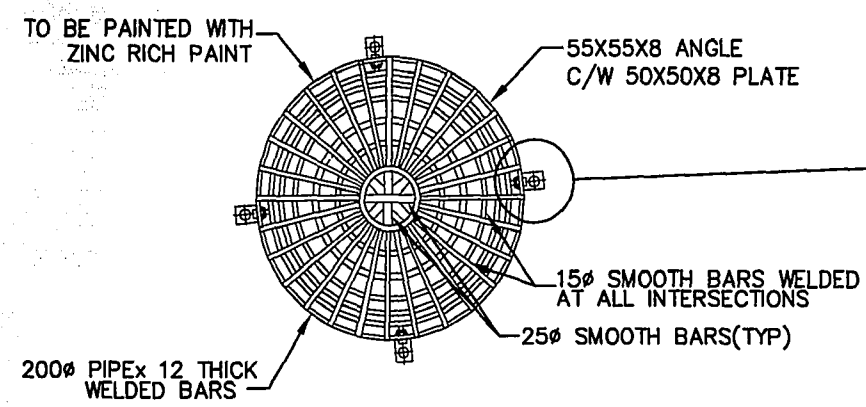
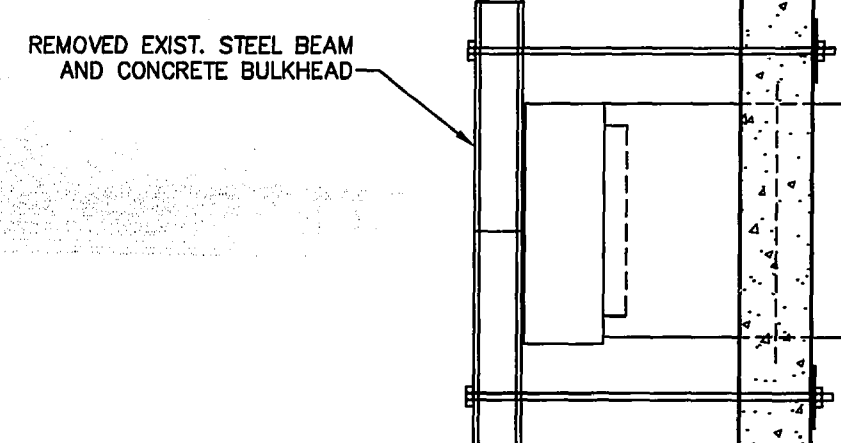
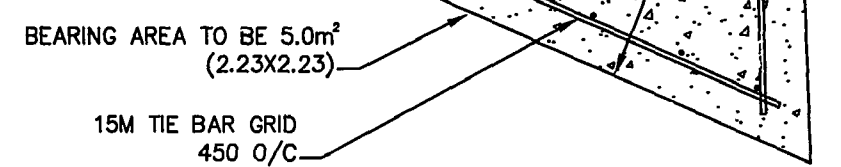
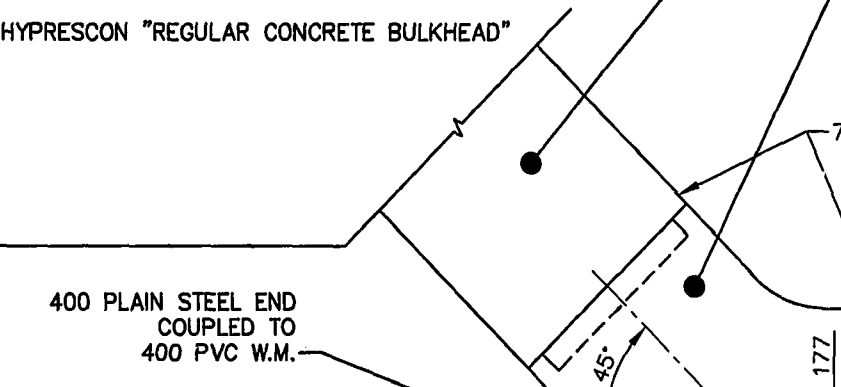
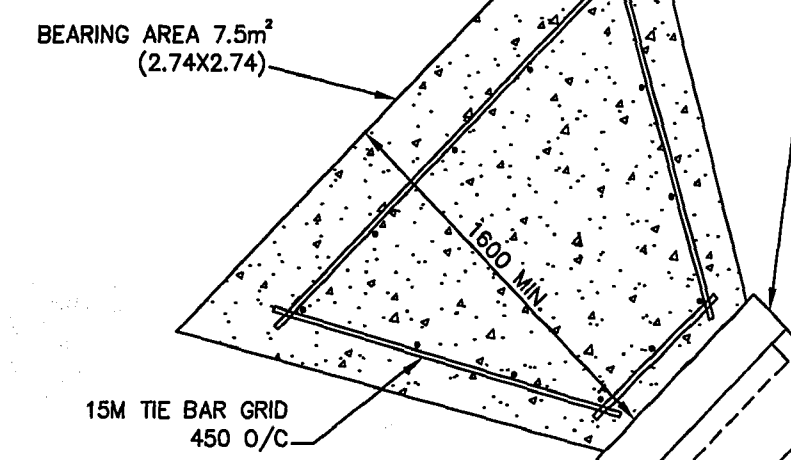
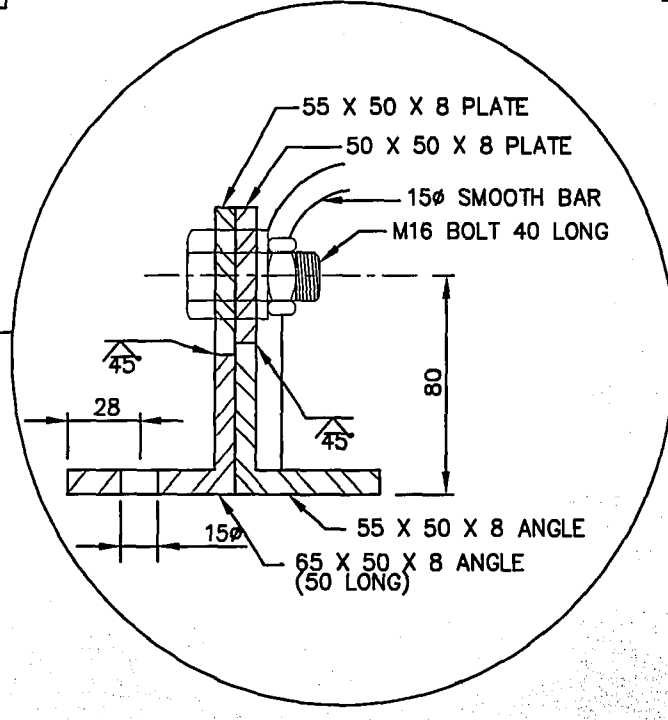


DITCH INLET DETAIL
SCALE: N.T.S.



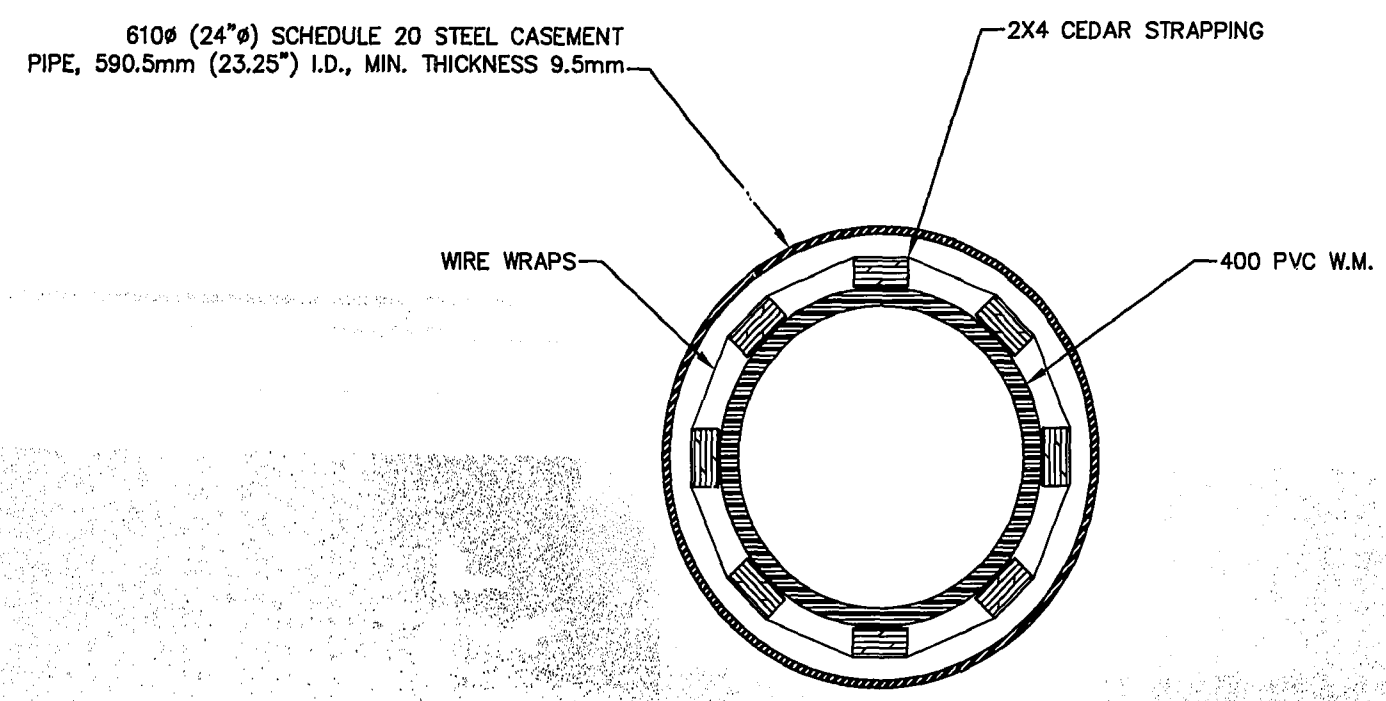
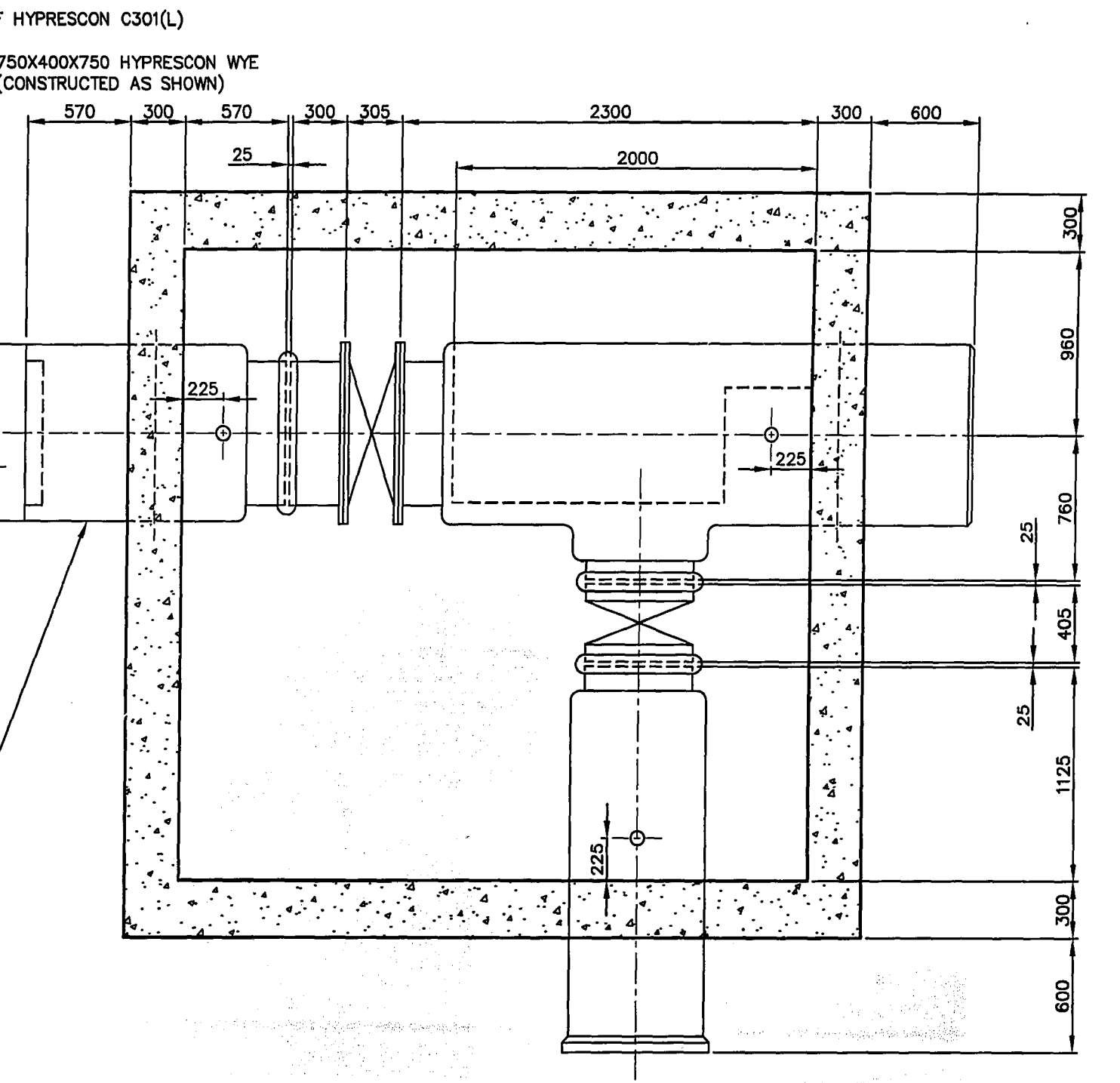
SECTION "A"- "A"
SCALE: N.T.S.



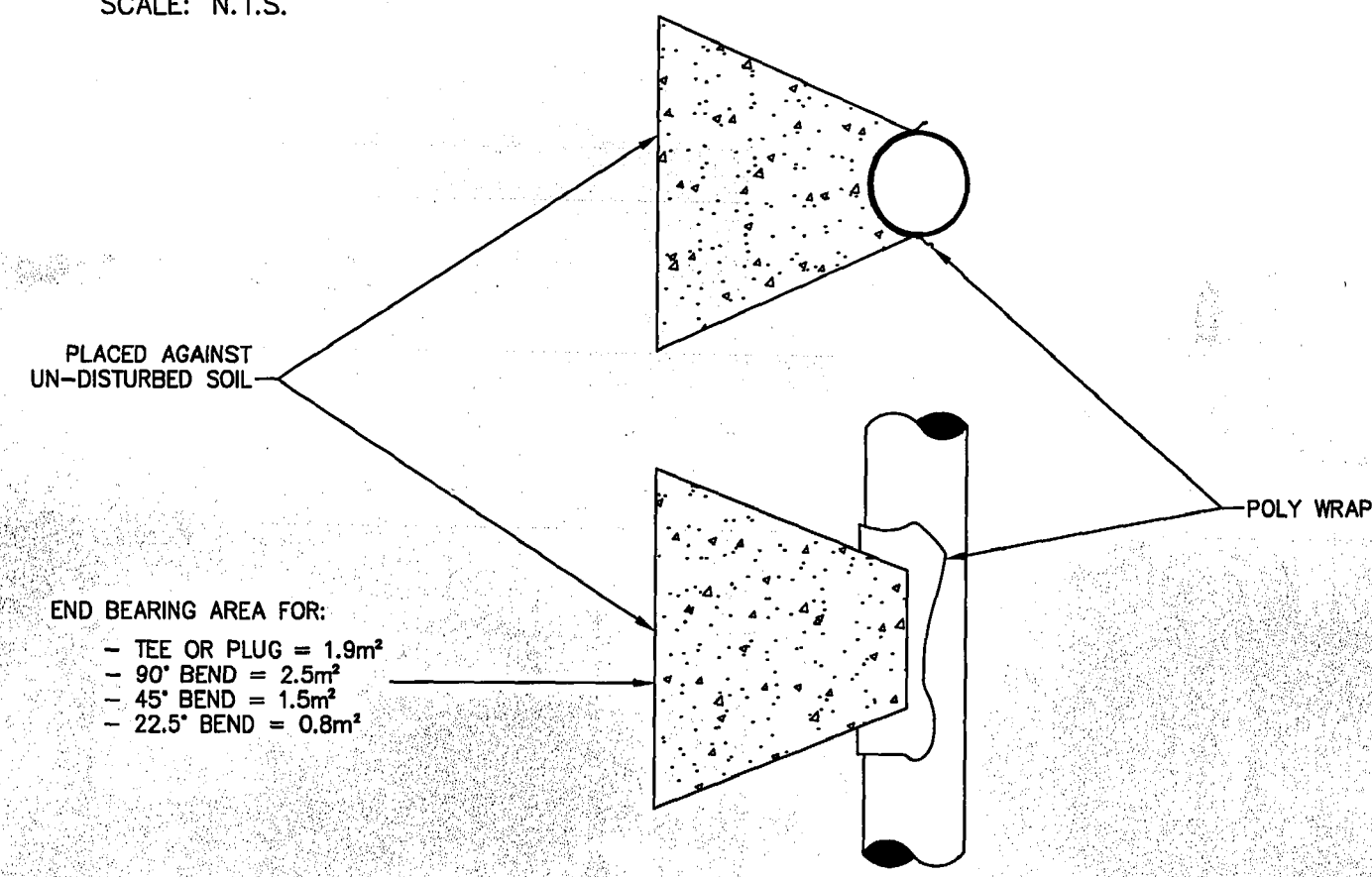
EXISTING BULKHEAD ON 750 FEEDERMAIN
SCALE: N.T.S.

EXIST. BELL IS HYPRESCON C-301 (L) 750 ϕ PIPE INSTALLED IN 1981 AND SUPPLIED BY "CANRON LTD."

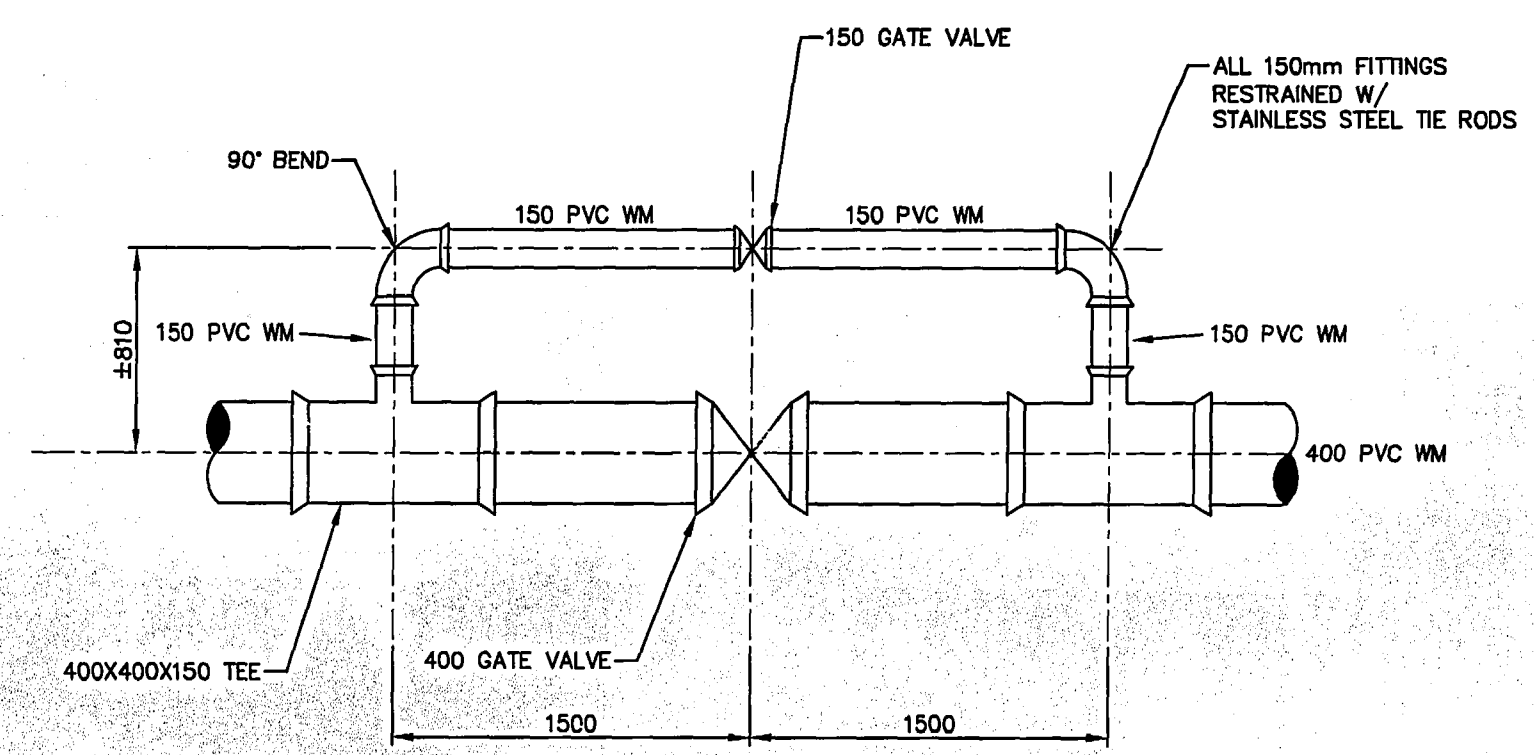
BISON DRIVE VALVE CHAMBER CONNECTION DETAIL
SCALE: N.T.S.



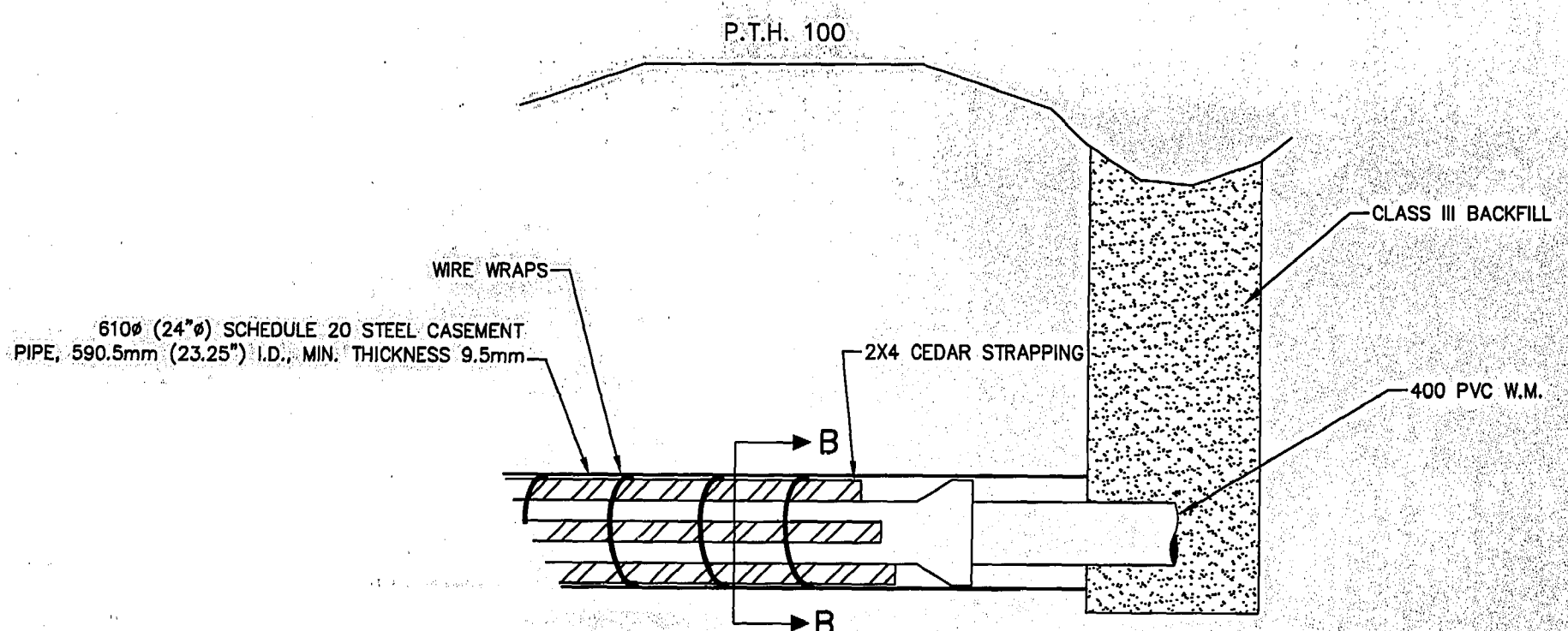
SECTION B-B
SCALE: N.T.S.



THRUST BLOCK DETAIL
SCALE: N.T.S.



BY-PASS VALVE ASSEMBLY DETAIL
SCALE: N.T.S.



CASEAM PIPE DETAIL
SCALE: N.T.S.

AS-CONSTRUCTED
Lubina *K. Carter* 01.03.20
CONTRACT ADMINISTRATION DRAFTING & GRAPHIC SERVICES DATE
WATER AND WASTE DEPARTMENT

PROJECT COMPLETION DATE:
SEPTEMBER 29, 2000

| | | | | |
|-------------------------|--------------|--|-------------------|--|
| B.M. ELEV. | FIELD BOOK # | CITY OF WINNIPEG WATER AND WASTE ENGINEERING DIVISION | | ENGINEER'S SEAL |
| POSTED TO LBIS | | DESIGNED BY NAC | CHECKED BY GI | THE CITY OF WINNIPEG WATER AND WASTE DEPARTMENT WAVERLEY WATERMAIN EXTENSION CONTRACT NO. 16 VARIOUS DETAILS SHEET 14 OF 14 CITY DRAWING NUMBER D-6691 |
| | | DRAWN BY DS | APPROVED BY | |
| | | HOR. SCALE AS SHOWN | RELEASE CONST. IN | |
| 1.) REVISED TO AS-BUILT | 01.03.27 WKT | VERTICAL | DATE | |
| NO. REVISIONS | DATE BY | DATE | 2000 04 26 | DATE |

0461-2000
PLOT DATE: 2001 03 27