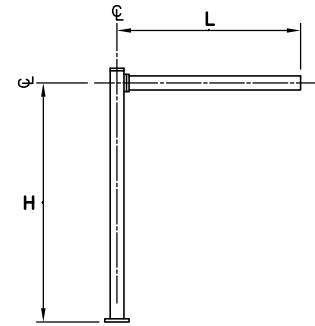
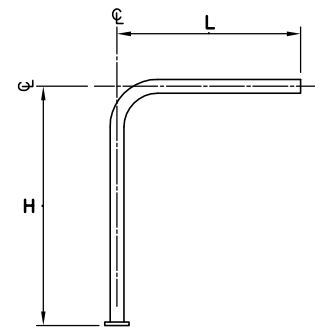


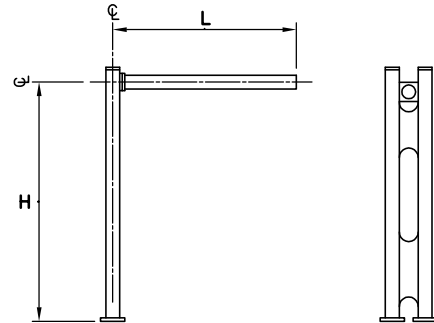
PROPOSED 2010 MAINTENANCE WORKS



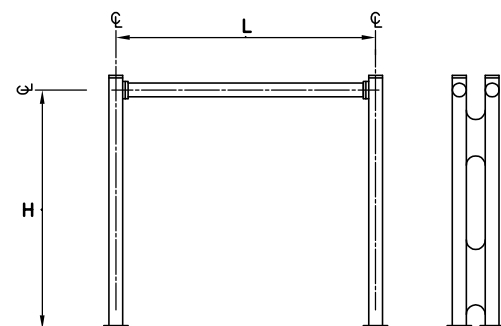
CANTILEVER STRUCTURE – STRAIGHT ARM (TYPE 1.1)



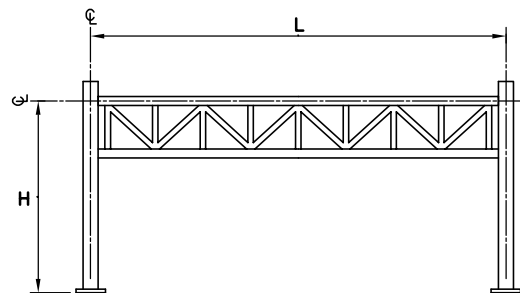
CANTILEVER STRUCTURE – DAVIT ARM (TYPE 1.2)



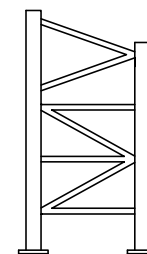
CANTILEVER STRUCTURE – DOUBLE POST & SINGLE ARM (TYPE 1.7)



BRIDGE STRUCTURE – DOUBLE MONOTUBULAR (TYPE 2.3)



BRIDGE STRUCTURE – TRI-CHORD TRUSS ELEVATION (TYPE 2.5)



BRIDGE STRUCTURE – TRI-CHORD TRUSS SIDE VIEW (TYPE 2.5)

ITEM	EXISTING STRUCTURE DATA					SIGN DATA		ANCHOR BOLT DATA			GENERAL DESCRIPTION OF PROPOSED WORKS	ADJACENT PROPERTY
	STRUCTURE NO.	LOCATION	TYPE	L	HT	NO.	TYPE	NO.	SIZE (MEAS)	BCD		
1	A801	SMITH STREET N/B, NORTH OF ELLICE AVENUE	1.1	6.45	6.10	3	INT. ILLUM.	4	38	460	- REPLACE MISSING CAP ON TOP OF SHAFT	EAST BLVD. - CONCRETE
2	A804	STAFFORD STREET S/B, WEST OF PEMBINA HIGHWAY	1.1	6.65	6.10	3	PLATE	4	38	470	- REPLACE MISSING HANDHOLE COVER - REPLACE LEVELLING SHIMS LOCATED ON THE UNDERSIDE OF THE ARM AND BACK OF THE VERTICAL SUPPORT SHAFT AT THE SHAFT TO ARM COLLAR	WEST BLVD. - CONCRETE
3	A805	ST. MATHEWS AVENUE E/B, WEST OF ARLINGTON STREET	1.7	8.31	6.10	2	PLATE	4	32	440	- REPLACE MISSING HANDHOLE COVER	SOUTH BLVD. - CONCRETE
4	A806	ROUTE 90 S/B, SOUTH OF ELLICE AVENUE	2.3	17.91	6.10	1	PANEL	4	32	370	- REPLACE MISSING HANDHOLE COVER ON EAST SIDE	WEST BLVD. - CONCRETE EAST BLVD. - GRASS
5	A808	DUNKIRK DRIVE N/B, SOUTH OF BRIDGE, KINGSTON ROW EXIT	2.5	24.38	6.55	3	PANEL	4	25	290	- PERMANENT DE-ENERGIZING OF POWER SUPPLY BY CITY OF WINNIPEG FORCES - REMOVE & DISSASSEMBLE STRUCTURE - REMOVE & DISPOSE ALL LIGHT FIXTURES C/W BRACKETS - REMOVE SIGN PANELS AND DELIVER TO TRAFFIC SERVICES INCLUDING SIGN BRACKETS - TRANSPORT STRUCTURE TO SHOP - COMPLETE ALUMINUM OVERHEAD SIGN SUPPORT STRUCTURE REFURBISHMENT INCLUDING WELD REPAIRS (IDENTIFIED BY FIELD AND SHOP INSPECTIONS), HANDHOLE COVER REPLACEMENT AND ASSOCIATED WORKS - TRANSPORT STRUCTURE TO SITE AND ASSEMBLE C/W NEW CONNECTION BOLTS - REINSTALL STRUCTURE C/W NEW ANCHOR BOLT NUTS AND WASHERS AND GROUT PAD	WEST BLVD. - GRASS EAST BLVD. - GRASS
6	A809	DUNKIRK DRIVE S/B, SOUTH OF BRIDGE, KINGSTON ROW EXIT	2.5	24.38	6.40	3	PANEL	4	25	295	- REPLACE MISSING HANDHOLE COVER ON WEST SIDE	WEST BLVD. - GRASS EAST BLVD. - GRASS
7	A810	DUNKIRK DRIVE S/B, NORTH OF FERMOR AVENUE	2.5	18.14	6.40	2	PANEL	4	25	290	- REPLACE MISSING HANDHOLE COVER ON WEST SIDE	WEST BLVD. - GRASS EAST BLVD. - GRASS
8	A811	OSBORNE STREET N/B, SOUTH OF JUBILEE AVENUE	2.5	17.22	6.25	2	PANEL	4	25	290	- REPLACE MISSING HANDHOLE COVER ON EAST AND WEST SIDES	WEST BLVD. - CONCRETE EAST BLVD. - GRASS
9	A813	LAGIMODIERE BOULEVARD S/B, NORTH OF OVERPASS, CONCORDIA AVENUE EXIT	2.5	24.23	6.17	2	PANEL	4	32	375	- PERMANENT DE-ENERGIZING OF POWER SUPPLY BY CITY OF WINNIPEG FORCES - REMOVE & DISSASSEMBLE STRUCTURE - REMOVE & DISPOSE ALL LIGHT FIXTURES C/W BRACKETS - REMOVE SIGN PANELS AND DELIVER TO TRAFFIC SERVICES INCLUDING SIGN BRACKETS - TRANSPORT STRUCTURE TO SHOP - COMPLETE ALUMINUM OVERHEAD SIGN SUPPORT STRUCTURE REFURBISHMENT INCLUDING WELD REPAIRS (IDENTIFIED BY FIELD AND SHOP INSPECTIONS), HANDHOLE COVER REPLACEMENT AND ASSOCIATED WORKS - TRANSPORT STRUCTURE TO SITE AND ASSEMBLE C/W NEW CONNECTION BOLTS - REINSTALL STRUCTURE C/W NEW ANCHOR BOLT NUTS AND WASHERS AND GROUT PAD	WEST BLVD. - GRASS EAST BLVD. - GRASS
10	A817	BISHOP GRANDIN BOULEVARD W/B, EAST OF DAKOTA STREET	1.2	8.23	6.10	2	PLATE	-	-	-	- REPLACE MISSING HANDHOLE COVER	NORTH BLVD. - GRASS

NOTES

- CITY OF WINNIPEG TRAFFIC SIGNALS BRANCH
LOCATED AT 821 ELGIN AVE.
CONTACT: NOLAN BURKE
TEL. NO. (204) 986-4195
E-mail: nburke@winnipeg.ca
- CITY OF WINNIPEG TRAFFIC SERVICES BRANCH
LOCATED AT 421 OSBORNE ST.
CONTACT: JEAN BELAIR
TEL. NO. (204) 986-5840
E-mail: jbelair@winnipeg.ca

TYPES OF OVERHEAD SIGN STRUCTURES

B.M. ELEV.	DESIGNED BY: RJT			
	DRAWN BY: JGW			
	CHECKED BY: SSR			
	APPROVED BY:			
	SCALE: HORZ. AS SHOWN VERT.			
	DATE: JULY 2010			
	AUTHORIZED BY:	DATE:	CONSULTANT PROJECT NO. 10-3545-0000	
1 ISSUED FOR TENDER	07/23/10	JGW		
NO. REVISIONS	DATE	BY	CITY BRIDGE ENGINEER	

ALUMINUM OVERHEAD SIGN SUPPORT STRUCTURES – 2010 MAINTENANCE WORKS	CITY DRAWING NUMBER OHSS-10-03 SHEET 3 OF 9
DESCRIPTION OF WORKS	