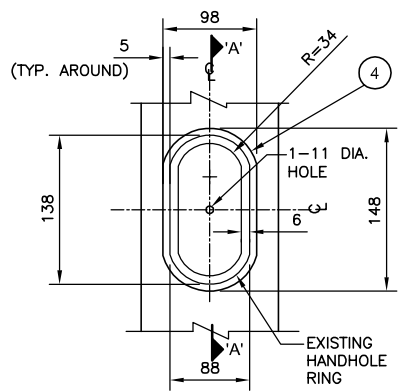
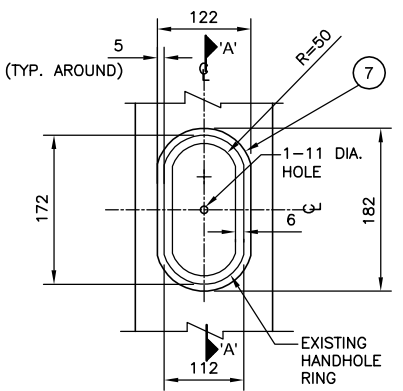


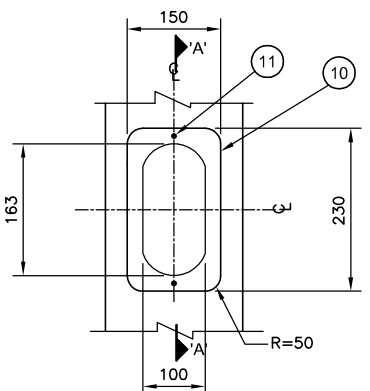
FRONT-ELEVATION



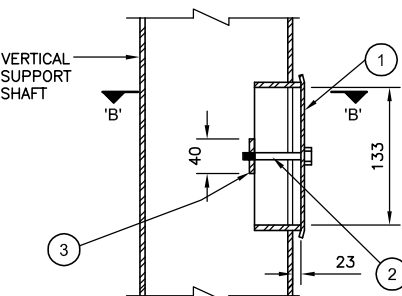
FRONT-ELEVATION



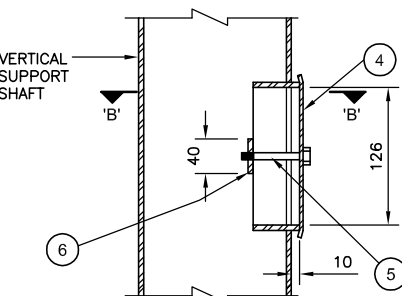
FRONT-ELEVATION



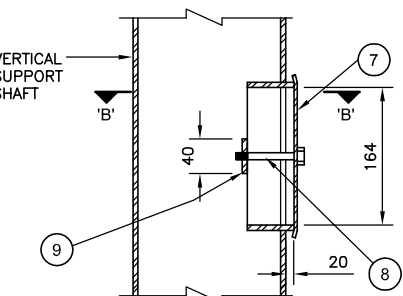
FRONT-ELEVATION



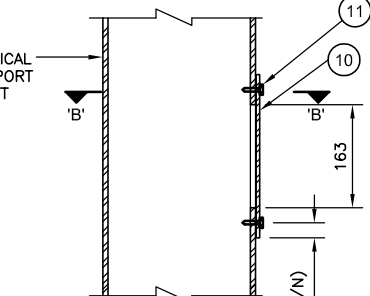
SECTION 'A'-'A'



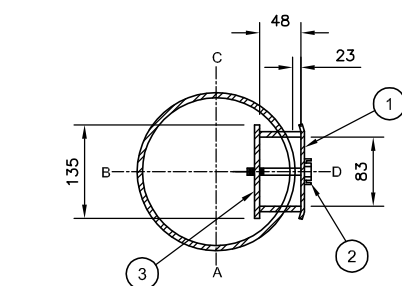
SECTION 'A'-'A'



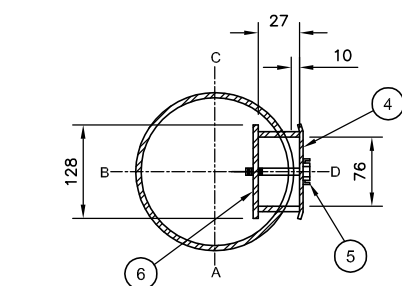
SECTION 'A'-'A'



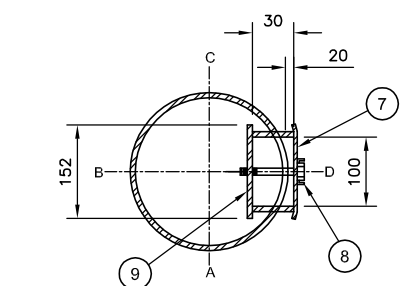
SECTION 'A'-'A'



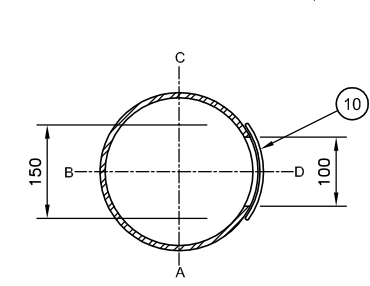
SECTION 'B'-'B'



SECTION 'B'-'B'



SECTION 'B'-'B'



SECTION 'B'-'B'

HANDHOLE COVER -- MARK HC1
STRUCTURE A817 ONLY

HANDHOLE COVER -- MARK HC2
STRUCTURES A808, A809, A810, A811 ONLY

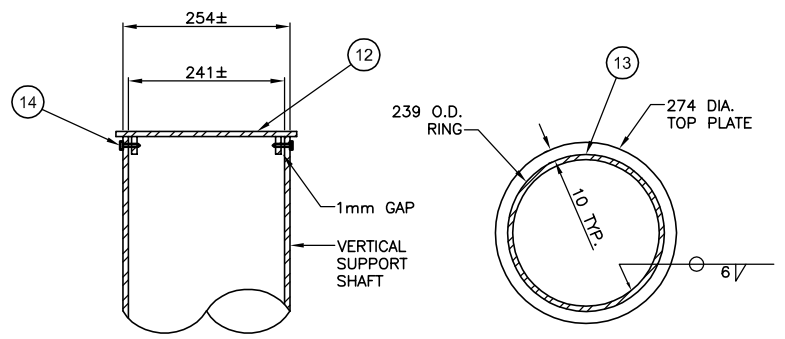
HANDHOLE COVER -- MARK HC3
STRUCTURES A804, A805 ONLY

HANDHOLE COVER -- MARK HC4
STRUCTURE A806 ONLY

BILL OF MATERIALS		
MK.	QTY.	DESCRIPTION
		HANDHOLE MARK HC1
1	1	COVER PLATE 6 x 105 x 155 (6061-T6)
2	1	10 DIA. x 140 BOLT S/S (TYPE 316)
3	1	CLAMP BAR 6 x 40 x 135
		HANDHOLE MARK HC2
4	4	COVER PLATE 6 x 98 x 148 (6061-T6)
5	4	10 DIA. x 140 BOLT S/S (TYPE 316)
6	4	CLAMP BAR 6 x 40 x 128
		HANDHOLE MARK HC3
7	2	COVER PLATE 6 x 122 x 182 (6061-T6)
8	2	10 DIA. x 140 BOLT S/S (TYPE 316)
9	2	CLAMP BAR 6 x 40 x 152
		HANDHOLE MARK HC4
10	1	COVER PLATE 6 x 150 x 230 (6061-T6)
11	2	SELF TAPPING S/S SCREW (TYPE 316)
		SHAFT CAP
12	1	274 DIA. TOP PLATE
13	1	239 O.D. x 6.35 THICK RING
14	2	#8 - 25 LG. SELF TAPPING S/S SCREW (TYPE 316)

NOTES:

- MARK NO. 1, 4, & 7 C/W 8-DIA. PUNCHED 10 N.C. TAPPED AT THE CENTER OF PLATE.
- MARK NO. 2, 5, & 8 C/W CUP WASHER.
- CONTRACTOR TO FIELD VERIFY STRUCTURE NO. A801 VERTICAL SUPPORT SHAFT DIMENSIONS PRIOR TO SHAFT CAP FABRICATION.
- ALL ALUMINUM PLATE SHALL BE AA6061-T6 ALLOY.



CAP DETAIL
STRUCTURE A801 ONLY

B.M. ELEV.	DESIGNED BY: RJT			
	DRAWN BY: JGW			
	CHECKED BY: SSR			ALUMINUM OVERHEAD SIGN SUPPORT STRUCTURES - 2010 MAINTENANCE WORKS
	APPROVED BY:			
	SCALE: HORZ. NTS VERT.			MISCELLANEOUS ALUMINUM OVERHEAD SIGN SUPPORT STRUCTURE WORKS
	DATE: JULY 2010			
	AUTHORIZED BY:		DATE:	CONSULTANT PROJECT NO. 10-3545-1000
1 ISSUED FOR TENDER	07/23/10	JGW		
NO. REVISIONS	DATE	BY		