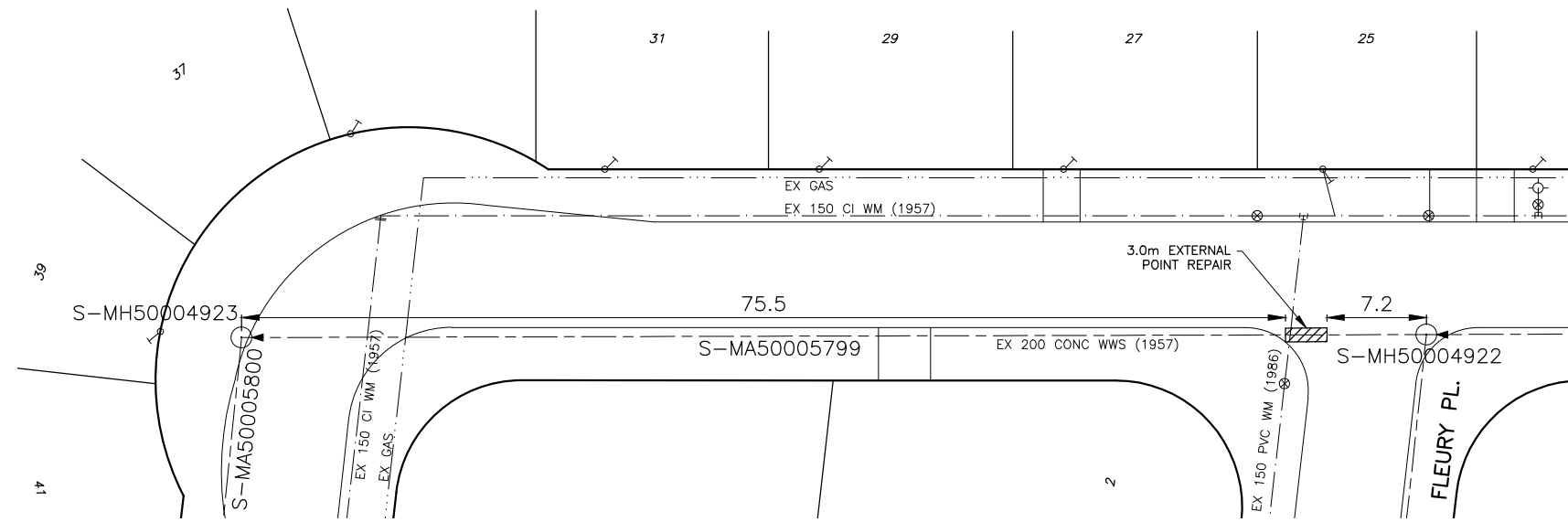
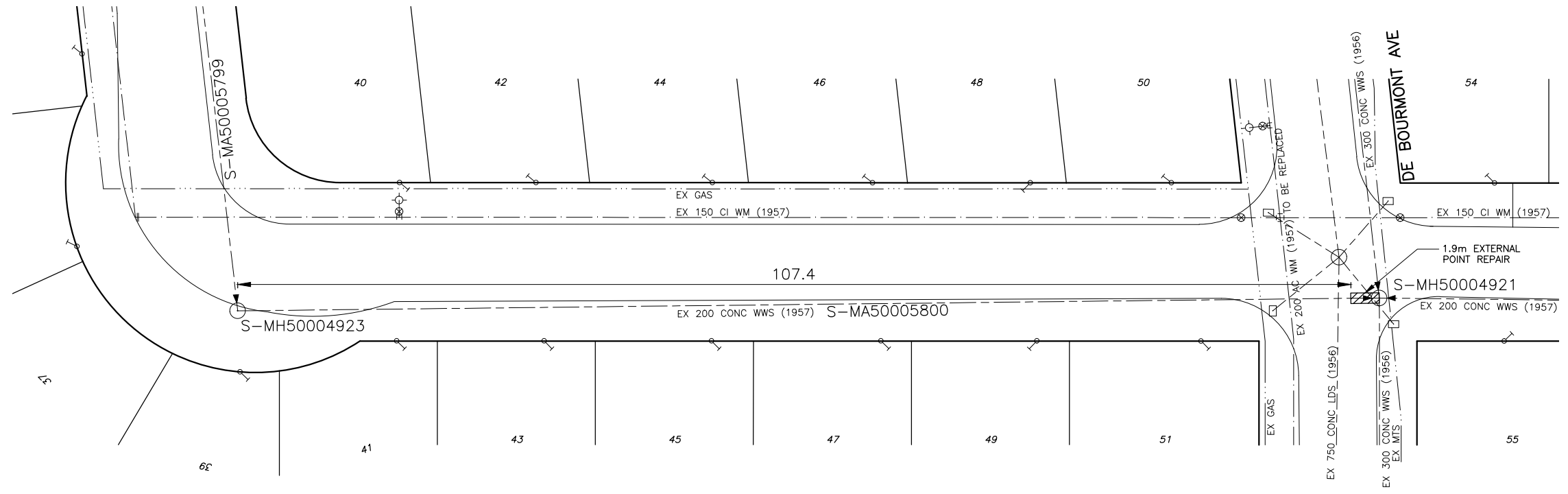


FONTAINE CRESCENT (WEST LEG)



FONTAINE CRESCENT (SOUTH LEG)



EXTERNAL POINT REPAIR:

<p>GENIVAR 10 PRAIRIE WAY, WINNIPEG, MANITOBA R2J 3J8 PH: (204)-477-6650 FAX: (204)-474-2864</p>		<p>THE CITY OF WINNIPEG WATER AND WASTE DEPARTMENT</p>	
DESIGNED BY: R.H.	CHECKED BY: S.M.	CITY OF WINNIPEG	
DRAWN BY: R.H.	APPROVED BY: S.M.	2010 WATERMAIN RENEWAL	
HOR. SCALE: 1:500	RELEASED FOR CONSTRUCTION: K. ZUREK P. ENG	FONTAINE CRESCENT FROM S-MH50004922 TO S-MH50004923 AND FROM S-MH50004923 TO S-MH50004921	
VERT. SCALE: N.T.S.	DATE: JUNE 16, 2010	EXTERNAL POINT REPAIR	
DATE: MAY 2010			CITY DRAWING NO. 010-051-18