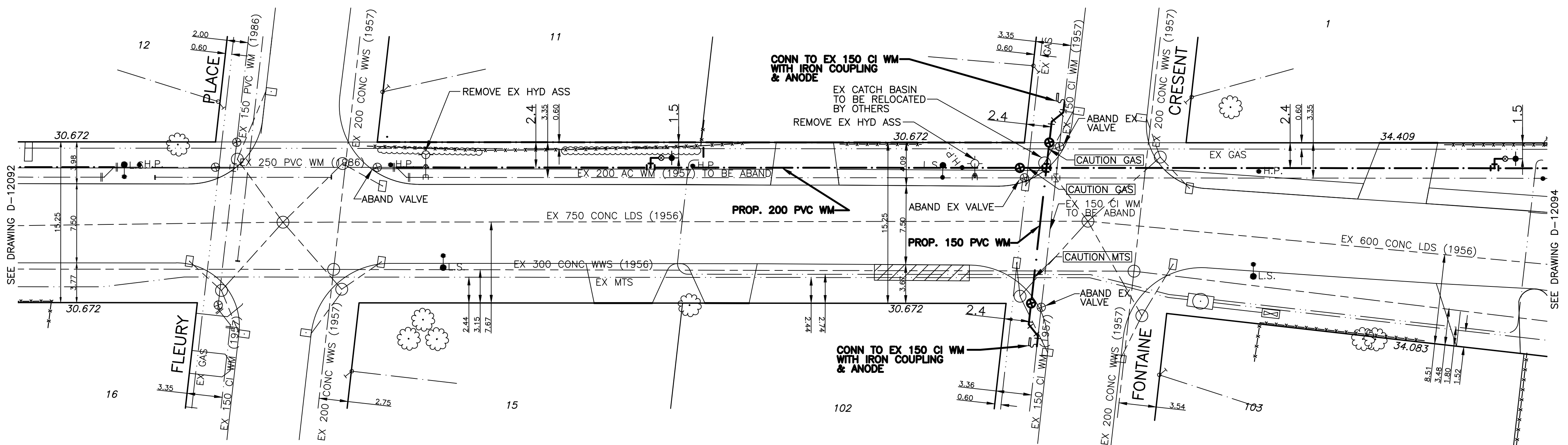
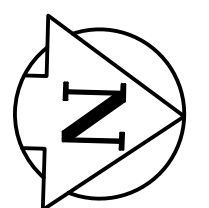


CHAINAGE ALONG WEST PROPERTY LINE OF DE BOURMONT AVENUE



- NOTES:**
1. ALL GATE VALVES ARE COUNTER-CLOCKWISE TO OPEN WITH A BLACK OPERATING NUT.
 2. WATERMAIN TO BE INSTALLED BY TRENCHLESS METHODS.
 3. BACKFILL IS CLASS 5 WITHIN BOULEVARD AND CLASS 3 WHEN WITHIN PAVEMENT/SIDEWALK OR WHEN WITHIN 1.0m OF PAVEMENT OR SIDEWALK.
 4. WATER SERVICES ARE 19mm UNLESS OTHERWISE NOTED.
 5. MINIMUM COVER TO TOP OF WATERMAIN SHALL BE 2.4m.
 6. LOCATION OF ALL SERVICES TO BE CONFIRMED IN FIELD.
 7. EXPOSE EXISTING WATERMAIN TO CONFIRM DEPTH PRIOR TO CONSTRUCTION.
 8. ALL LEAD SERVICES TO BE RENEWED TO PROPERTY LINE.
 9. SERVICES TO BE RENEWED SHALL BE REPLACED FROM WATERMAIN TO PROPERTY LINE. ALL OTHERS TO BE RECONNECTED.

METRIC
WHOLE NUMBERS INDICATE MILLIMETRES
DECIMALIZED NUMBERS INDICATE METRES



WATERMAIN		REDUCER		WATERMAIN		WATERMAIN	
EXISTING	LEGEND - PLAN	PROPOSED	EXISTING	LEGEND - PLAN	PROPOSED	EXISTING	LEGEND - PROFILE
⊕	HYDRANT	⊕	⊕	⊕	PLUG	⊕	⊕
⊕	VALVE	⊕	⊕	⊕	TRAFFIC SIGNAL	⊕	⊕
---	LAND DRAINAGE SEWER	---	---	---	GAS	---	---
---	WASTE WATER SEWER	---	---	---	HYDRO	---	---
○	MANHOLE	○	○	○	M.T.S.	○	○
○	CATCH BASIN	○	○	○	C.B. LEAD	○	○
⊕	CURB STOP	⊕	⊕	⊕	SURVEY BAR	⊕	⊕
⊕	TEE	⊕	⊕	⊕	TREE	⊕	⊕
⊕	BEND	⊕	⊕	⊕	H.P.	⊕	⊕
⊕	ANODE	⊕	⊕	⊕	LAMP STANDARD	⊕	⊕

LOCATION APPROVED

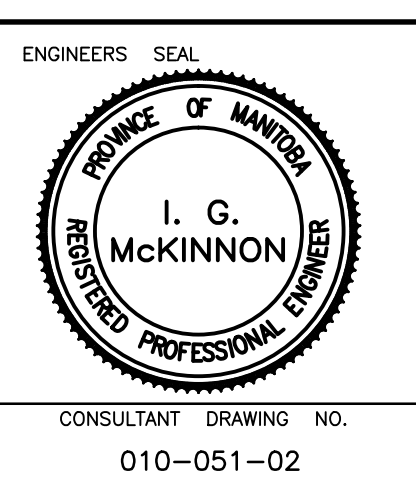
SUPV. U/G STRUCTURES DATE COMMITTEE

NOTE:
LOCATION OF UNDERGROUND STRUCTURES AS SHOWN ARE BASED ON THE BEST INFORMATION AVAILABLE BUT NO GUARANTEE IS GIVEN THAT ALL EXISTING UTILITIES ARE SHOWN OR THAT THE GIVEN LOCATIONS ARE EXACT. CONFIRMATION OF EXISTENCE AND EXACT LOCATION OF ALL SERVICES MUST BE OBTAINED FROM THE INDIVIDUAL UTILITIES BEFORE PROCEEDING WITH CONSTRUCTION.

NO.	REVISIONS	DATE	BY
1	BID OPPORTUNITY 508-2010	JUNE/10	PR

GENIVAR
10 PRAIRIE WAY WINNIPEG, MANITOBA R2J 3J8
PH: (204)-477-6650 FAX: (204)-474-2864

DESIGNED BY: PR
CHECKED BY: SM
DRAWN BY: PR
APPROVED BY: IMcK
HOR. SCALE: 1:250
VERT. SCALE: 1:50
RELEASED FOR CONSTRUCTION
ORIGINALLY SIGNED BY
K. ZUREK P. ENG
DATE JUNE 16, 2010



Winnipeg THE CITY OF WINNIPEG WATER AND WASTE DEPARTMENT

2010 CAPITAL WORKS WATERMAIN RENEWALS DE BOURMONT AVENUE
43M NORTH OF FONTAINE CRESCENT (SOUTH LEG)
TO 34M NORTH OF FONTAINE CRESCENT (NORTH LEG)

SHEET 2 OF 3
CITY DRAWING NO. D-12093