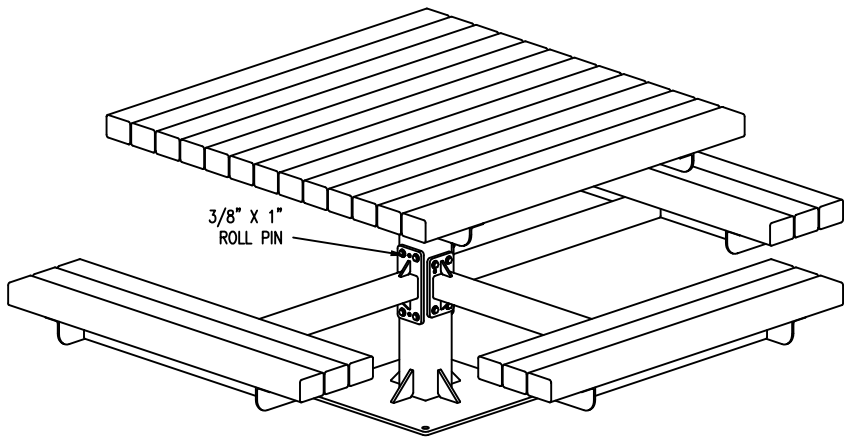


SLAT OPTIONS

- "CEDAR" RECYCLED PLASTIC
- "GREEN" RECYCLED PLASTIC
- "GREY" RECYCLED PLASTIC
- "REDWOOD" RECYCLED PLASTIC
- "WALNUT" RECYCLED PLASTIC
- OTHER _____



NOTES

- 1.) ALL STL. MEMBERS COATED W/ ZINC RICH EPOXY THEN FINISHED W/ POLYESTER POWDER COATING.
- 2.) 1/2" X 3 3/4" EXPANSION ANCHOR BOLTS PROVIDED FOR OPTIONS S-2 AND S-4.

- W/ 3 SEATS
- 76-33PL (3" x 4")
 - 76-43PL (4" x 4")

DuMor, inc.
P.O. Box 142 Mifflintown, PA 17059-0142

SCALE :	NONE
DATE DRAWN :	1/8/00
DRAWN BY :	JSB
DATE REV. :	12/02/09
REV. BY :	ESS

TITLE :	PEDESTAL TABLE		
REV. :	E	DRAWING NUMBER :	76 SERIES PL-3
SHEET :			1 OF 2