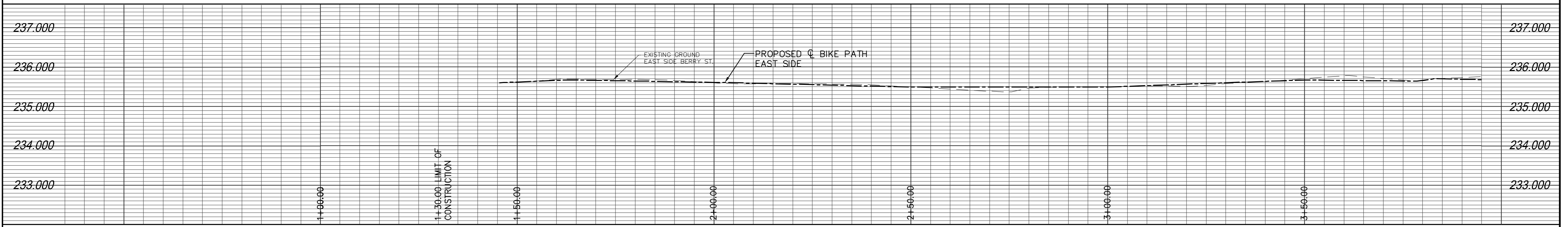
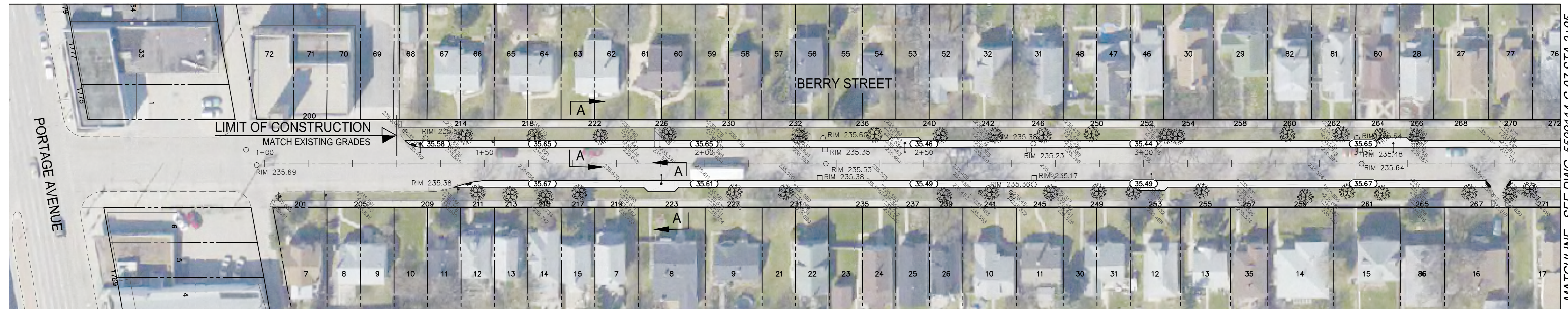


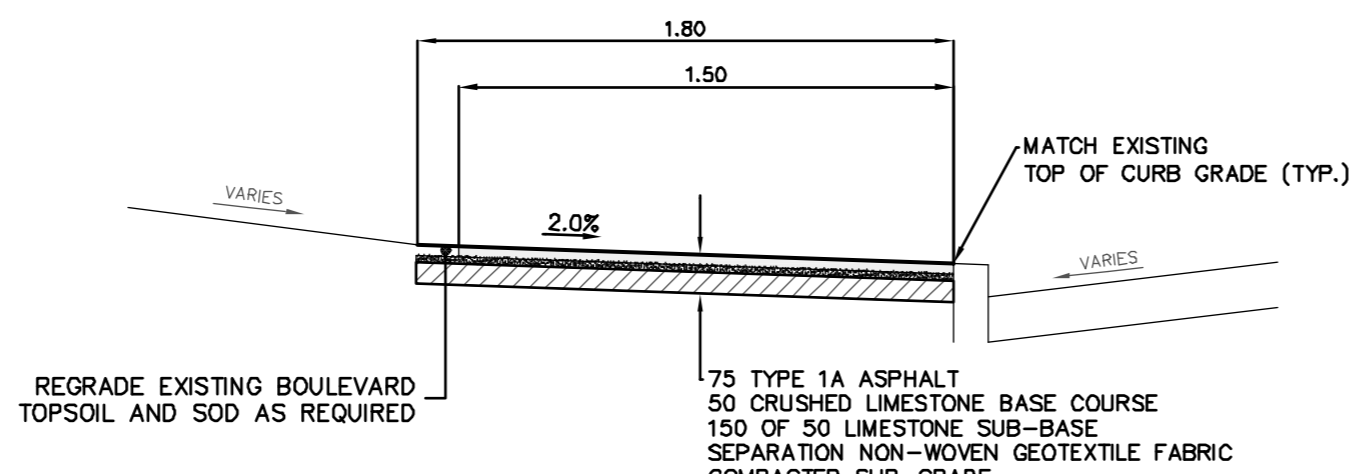
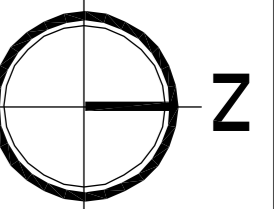
BERRY ST. WEST SIDE PATHWAY



BERRY ST. EAST SIDE PATHWAY



MATCHLINE - SEE DWG. 5509114-C-07 STA 3+95



SECTION A-A  
SCALE N.T.S.

NOTES:

1. ALL WORK AND MATERIALS TO BE IN ACCORDANCE WITH THE LATEST REVISIONS OF THE CITY OF WINNIPEG STANDARD CONSTRUCTION SPECIFICATIONS.
2. CONTRACTOR TO VERIFY DEPTH OF UTILITIES PRIOR TO CONSTRUCTION.
3. LOCATION OF UNDERGROUND STRUCTURES AS SHOWN ARE BASED ON THE BEST INFORMATION AVAILABLE, BUT NO GUARANTEE IS GIVEN THAT ALL EXISTING UTILITIES ARE SHOWN OR THAT THE GIVEN LOCATIONS ARE EXACT. CONFIRMATION OF EXISTENCE AND EXACT LOCATION OF ALL SERVICES MUST BE OBTAINED FROM THE INDIVIDUAL UTILITIES BEFORE PROCEEDING WITH CONSTRUCTION.
4. EXCAVATED MATERIAL TO BE USED AS BACKFILL WHERE REQUIRED.
5. ALL SURFACES TO BE MAINTAINED OR RESTORED TO PREVIOUS CONDITION OR BETTER.

**APEGN**  
Certificate of Authorization  
MMM Group Limited  
No. 4531 Date: -

METRIC  
WHOLE NUMBERS INDICATE MILLIMETERS  
DECIMALIZED NUMBERS INDICATE METERS

231.99	ELEVATION	(32.50)	HYDRANT	EXISTING GROUND	PROPOSED CENTERLINE	PROPOSED	EXISTING	LEGEND-PLAN	PROPOSED	EXISTING	LEGEND-PROFILE	PROPOSED
○	WATER VALVE	●		---	---							
○	MANHOLE	●		---	---							
□	CATCH BASIN	■		---	---							
---	MTS CABLE			---	---							
---	LDS			---	---							
---	WWS			---	---							
---	WATER			---	---							
---	PROPERTY LINE			---	---							
HP	HYDRO POLE			---	---							
HP	HYDRO POLE WITH LIGHT			---	---							

LOCATIONS APPROVED	
UNDERGROUND STRUCTURES	SIGNED BY: _____ DATE: _____
SUPV U/G STRUCTURES	DATE: _____

G.B.M., 1BLT IN 3.7m CONC PILE, 3.7m N OF S.L. OF PORTAGE AVE. & 3.4m E OF LINE OF W.L. OF KING EDWARD ST. ELEV. 235.437m			
NO.	REVISIONS	DATE	BY
4	-	-	-
3	-	-	-
2	CROSS SECTION & BIKE PATH	12.07.10	RP
1	ISSUED FOR REVIEW	29.06.10	WTJ

**MMM GROUP**

DESIGNED BY: RP	CHECKED BY: _____
DRAWN BY: TR	APPROVED BY: WTJ
HOR. SCALE 1:500	RELEASED FOR CONSTRUCTION DATE: _____
VERTICAL 1:50	DATE: 04.06.10

ENGINEER'S SEAL  
W.T. JACKSON  
Member 20782  
CONSULTANT ACAD DWG. NO. 5509114-C-06

**CITY OF WINNIPEG**  
PUBLIC WORKS DEPARTMENT  
TRANSPORTATION ENGINEERING DIVISION

2010 ACTIVE TRANSPORTATION/  
INFRASTRUCTURE STIMULUS PROGRAM  
BERRY AVENUE - PORTAGE AVENUE TO ST. MATTHEW AVENUE

**BIKE PATH**  
STA. 1+00.00 TO 3+95.00

**C-06**  
SHEET 1 OF 4

Jul 12, 2010 9:57am P:\5509100-5509199\5509114-000\_2010 Active Transportation Infrastructure Stimulus Program\MM Drawings\Berry\5509114\_berry\_120710.dwg -tab:Berry C-06 1+00 to 3+95