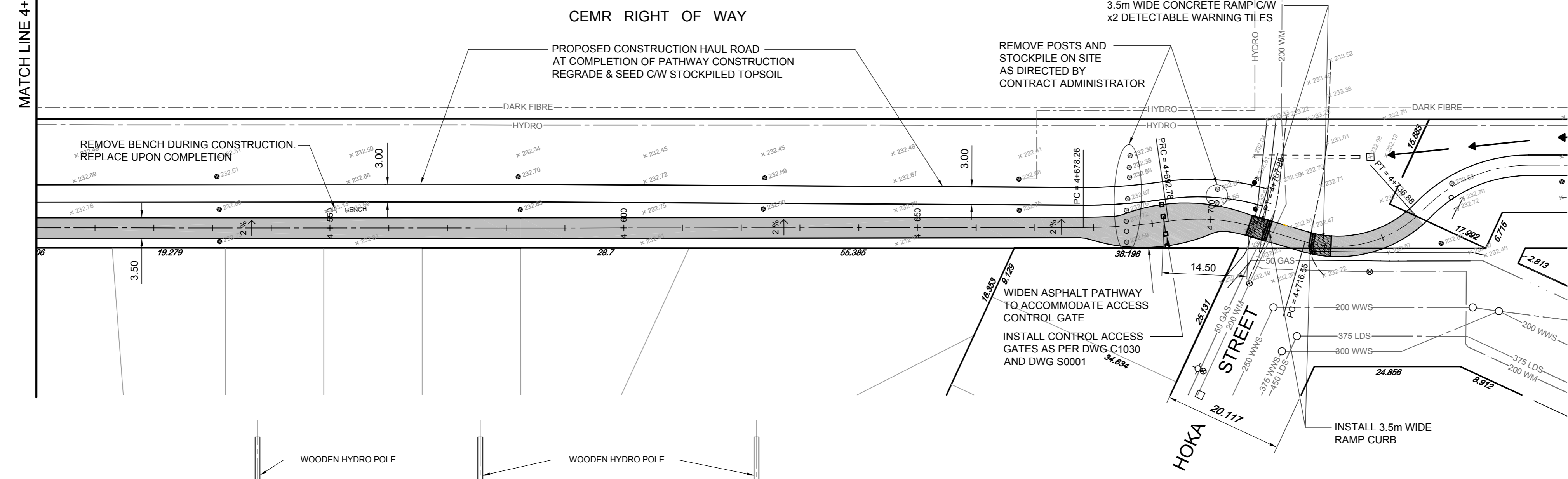
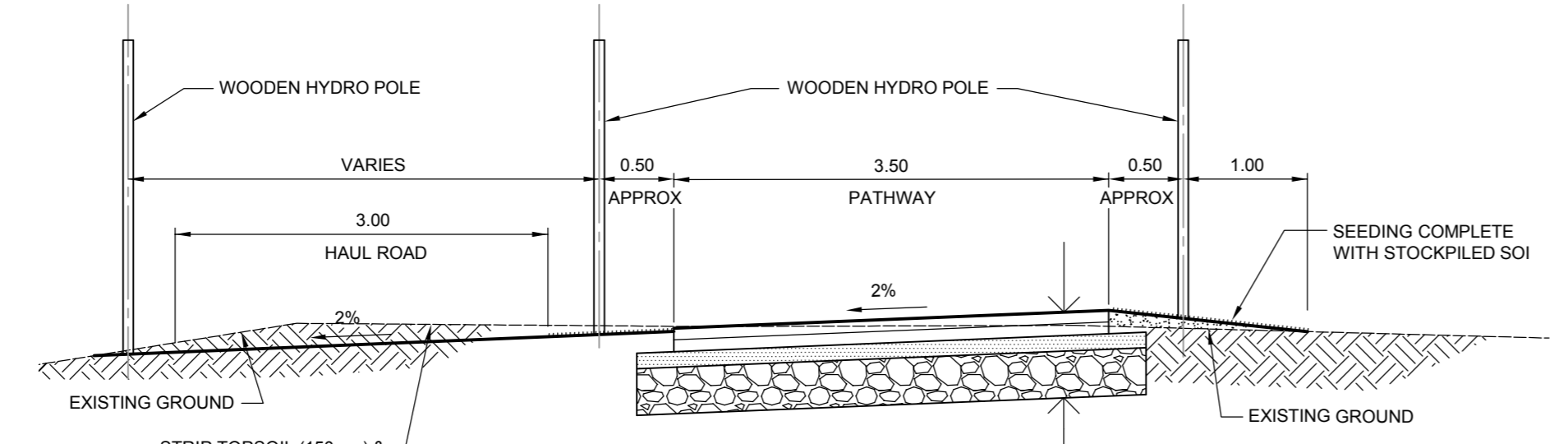


MATCH LINE 4+500



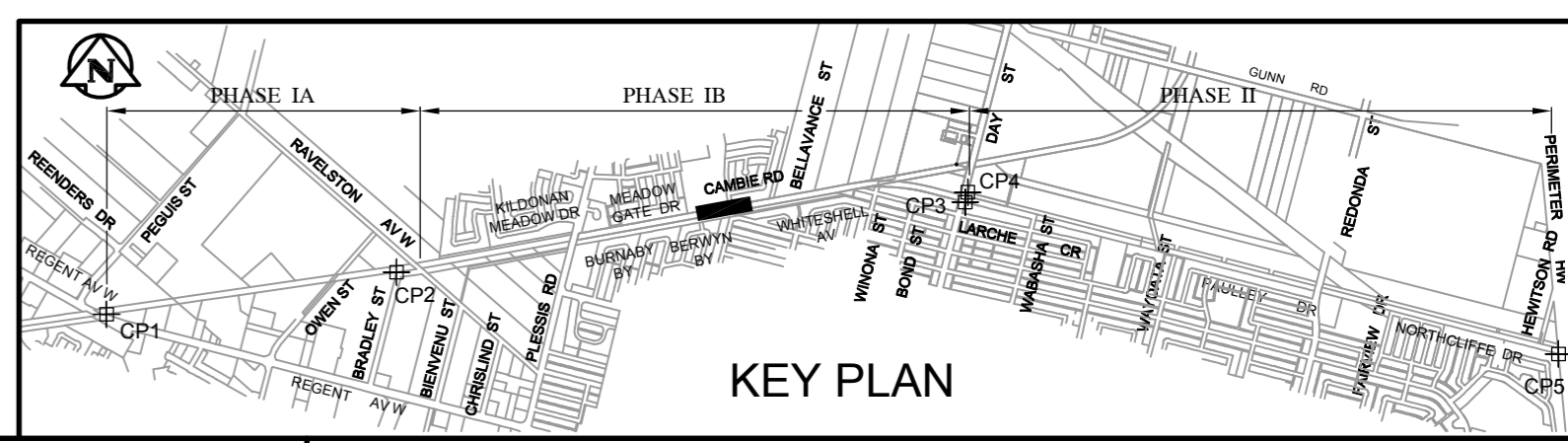
FOR CONSTRUCTION DETAILS EAST OF STA 4+736.88 SEE DRAWING C1013



1
TYPICAL PATH SECTION
HOR 1:50, VER 1:20

75 TYPE 1A OR RAS MODIFIED ASPHALT PAVEMENT
50 OF 20 CRUSHED LIMESTONE BASE COURSE
150 OF 50 LIMESTONE SUBBASE
SEPARATION/REINFORCEMENT GEOTEXTILE FABRIC
COMPACTED SUBGRADE

Coordinate Control Survey Monuments			
No.	NAD 83 Grid Coordinate	Description	
	Northing	Easting	
CP1	5528842.152	639688.658	IRON BAR
CP2	5529368.017	641068.147	IRON BAR
CP3	5530344.824	643436.566	IRON BAR
CP4	5530372.228	643436.161	IRON BAR
CP5	5530394.867	646173.994	IRON BAR



150 WM	WATERMAIN	150 WM	SWALE	TRAFFIC SIGNAL
400 FM	FEEDERMAIN	400 FM	MANHOLE	GAS
300 LDS	LAND DRAINAGE SEWER	300 LDS	CATCHBASIN	HYDRO
250 WWS	WASTEWATER SEWER	250 WWS	HYDRO BOX	MTS
300 CS	COMBINED SEWER	300 CS	HYDRO POLE	SPRINKLER
200 FCM	FORCEMAIN	200 FCM	LIGHT STANDARD	ELEVATION
	JUNCTIONS		ANCHOR	SIDEWALK
	HYDRANT		TREE	CURB
	VALVE		SURVEY BAR	ASPHALT
	CURB STOP		SIGNAL CONTROLLER	CONCRETE
EXISTING	LEGEND-PLAN	PROPOSED	EXISTING	LEGEND-PLAN

LOCATION APPROVED UNDERGROUND STRUCTURES	
SUPV. U/G STRUCTURES COMMITTEE	DATE

B.M. ELEV.		

WARDROP		PEOPLE, PASSION, PERFORMANCE. TRUSTED GLOBALLY	
DESIGNED BY	TF	CHECKED BY	
DRAWN BY	NL	APPROVED BY	
HOR. SCALE:	1 : 500	RELEASED FOR CONSTRUCTION	
VERTICAL:	1 : 20		
00 ISSUED FOR TENDER	10.07.13	DAL	
NO. REVISIONS		DATE	

PRELIMINARY DRAWING
NOT TO BE USED FOR CONSTRUCTION
CONSULTANT DRAWING NO. 1000070100-DWG-C1012-00

THE CITY OF WINNIPEG
PUBLIC WORKS DEPARTMENT
ENGINEERING DIVISION

2010 ACTIVE TRANSPORTATION / INFRASTRUCTURE STIMULUS PROGRAM

TRANSCONA TRAIL MULTI USE PATHWAY
200m WEST OF HOKA STREET
TO HOKA STREET

CITY DRAWING NUMBER
SHEET 12 OF 31
C1012