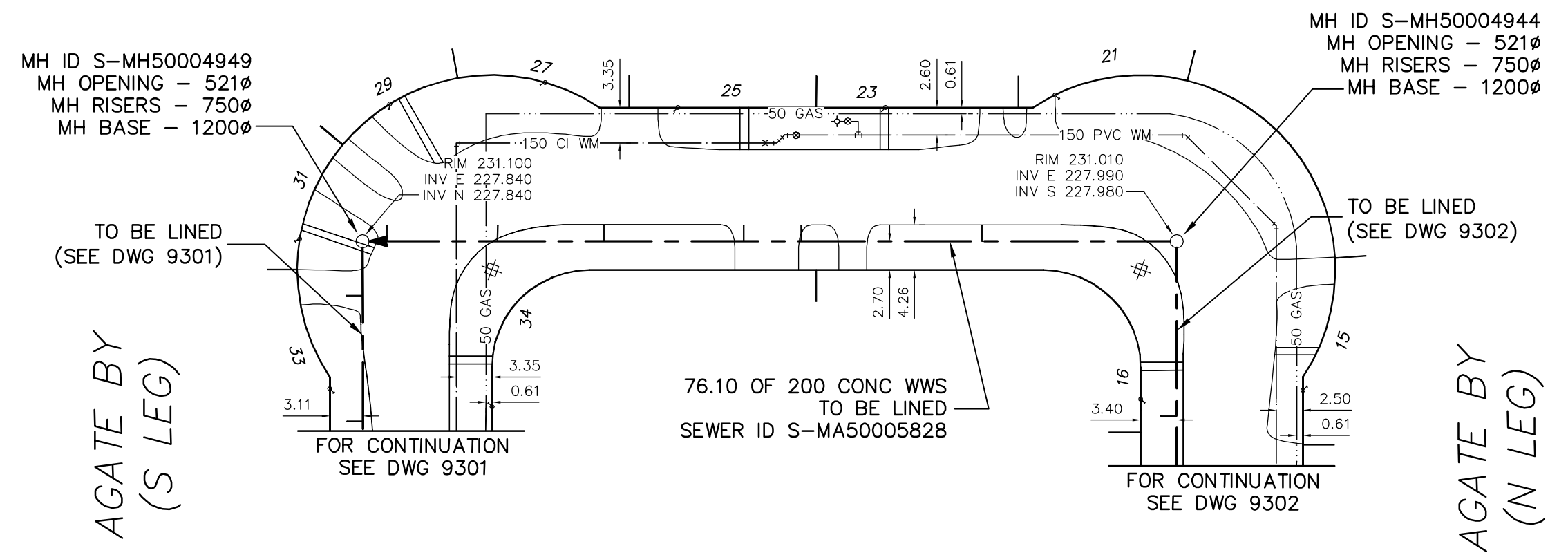
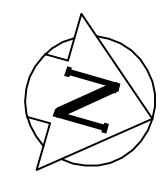


46.10 PARTIALLY DETERIORATED
OVALITY = 3.0%

30.0 FULLY DETERIORATED
OVALITY = 8.0%

AGATE BAY (W LEG)



SEWER JUNCTION INFORMATION FROM SEWER VIDEO INSPECTION SEWER ID S-MA50005828

DISTANCE FROM MH ID S-MH50004944				
18.3	S	150Ø	WEST	JN
35.3	S	150Ø	WEST	JN
40.7	S	150Ø	WEST	JN
53.8	S	150Ø	WEST	JN
63.8	S	150Ø	WEST	JN
74.2	S	150Ø	WEST	CNI

ENGINEER'S SEAL

ORIGINAL SIGNED BY
S.R.J. COURNOYER
10/07/06

BID OPPORTUNITY: 525-2010
FILENAME : 9300.dwg
PLOT DATE : 2010 07 07

LEGEND:
52.0 | MEASUREMENT TO REPAIR FROM REFERENCE MH SHOWN THUS... 0.0

METRIC
WHOLE NUMBERS INDICATE MILLIMETRES
DECIMALIZED NUMBERS INDICATE METRES

B.M. ELEV.	FIELD BOOK #:	CITY OF WINNIPEG WATER AND WASTE ENGINEERING DIVISION		THE CITY OF WINNIPEG WATER AND WASTE DEPARTMENT	
POSTED TO LIS		DESIGNED BY: SC	CHECKED BY: SC	2010 SEWER RENEWALS BY CIPP LININGS, CONTRACT 12	
		DRAWN BY: CJH	APPROVED BY: KZ	AGATE BAY (W LEG)	
		HOR. SCALE: 1:500	RELEASED FOR CONSTRUCTION: KAS ZUREK	MH AT AGATE BAY (N LEG) TO MH AT AGATE BAY (S LEG)	
		VERTICAL	DATE: 2010 07 06	SHEET 1 OF 53	
NO.	REVISIONS	DATE	BY	CITY DRAWING NUMBER	
				9300	