

Relevant Documents

The following documents are available for viewing through the Project Manager at the Resource Centre located at 1199 Pacific Avenue.

Deacon [brochure] : providing for the future
Author: WINNIPEG (MB), Waterworks, Waste and Disposal Department
Call number: TD 395 .D43 1980Z

Aqueduct Rehabilitation Program : Work Area 2.8.1 : Deacon Reservoir, Cell 1 & 2 Interconnection pipe : Summary of geotechnical data
Author: UMA Engineering Ltd
Call number: TD 398 .D432 NO.1

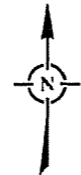
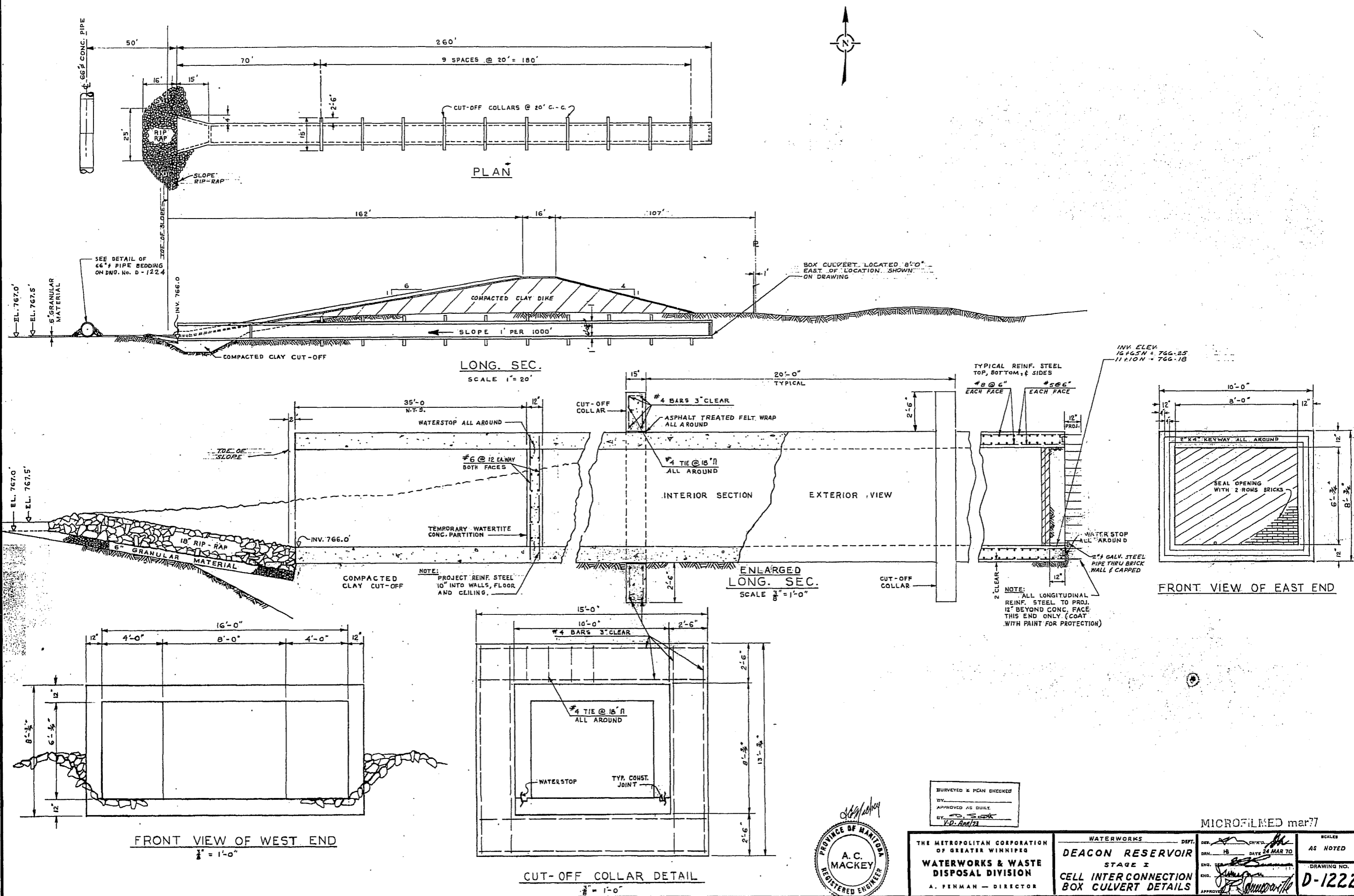
The following shop drawings are available for viewing through the Project Manager at 1199 Pacific Avenue.

SHOP DRAWING NO.	SHOP DRAWING TITLE
F-706-1	Precast Box Culvert
F-706-3	Precast Box Culvert MK C1
F-706-4E	Precast Box Culvert Layout
F-706-5	Precast Box Culvert MK C2
F-706-6	Precast Box Culvert MK C3
F-706-12	Precast Box Culvert MK C4
F-706-13	Precast Box Culvert MK C5

The following as-constructed drawings are attached.

DRAWING NO.	DRAWING TITLE
D-1222	Deacon Reservoir Stage 1- Cell Interconnection Box Culvert Details.
D-1226	Deacon Reservoir Stage 1- Reservoir Drainage Details.
D-1233	Deacon Reservoir Stage 1- Drainage Pumping Station.
D-1336	Deacon Reservoir Cell 2- Drain Piping Details.
D-1339	Deacon Reservoir Cell 2- Cell Interconnection Box Culvert Details.
D-1345	Deacon Reservoir Cell 2- Box Culvert Gate Chambers.

1037-C1-DK 2



PLAN

LONG. SEC.
SCALE 1" = 20'

ENLARGED LONG. SEC.
SCALE 3/8" = 1'-0"

FRONT VIEW OF EAST END

FRONT VIEW OF WEST END

CUT-OFF COLLAR DETAIL

SURVEYED & PLAN CHECKED
 BY _____
 APPROVED AS QUITY
 BY _____
 V.O. April 73



THE METROPOLITAN CORPORATION
 OF GREATER WINNIPEG
**WATERWORKS & WASTE
 DISPOSAL DIVISION**
 A. PENMAN - DIRECTOR

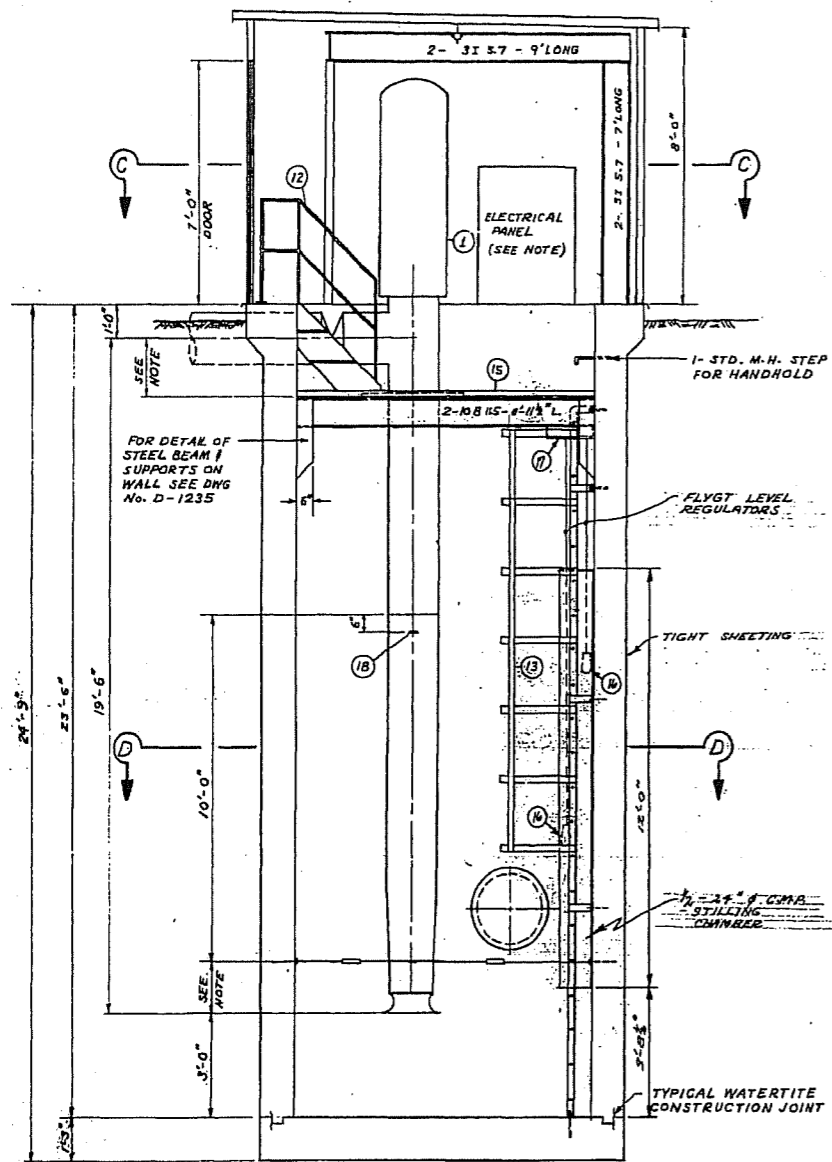
WATERWORKS DEPT.
DEACON RESERVOIR
 STAGE I
**CELL INTER CONNECTION
 BOX CULVERT DETAILS**

MICROFILMED mar 77

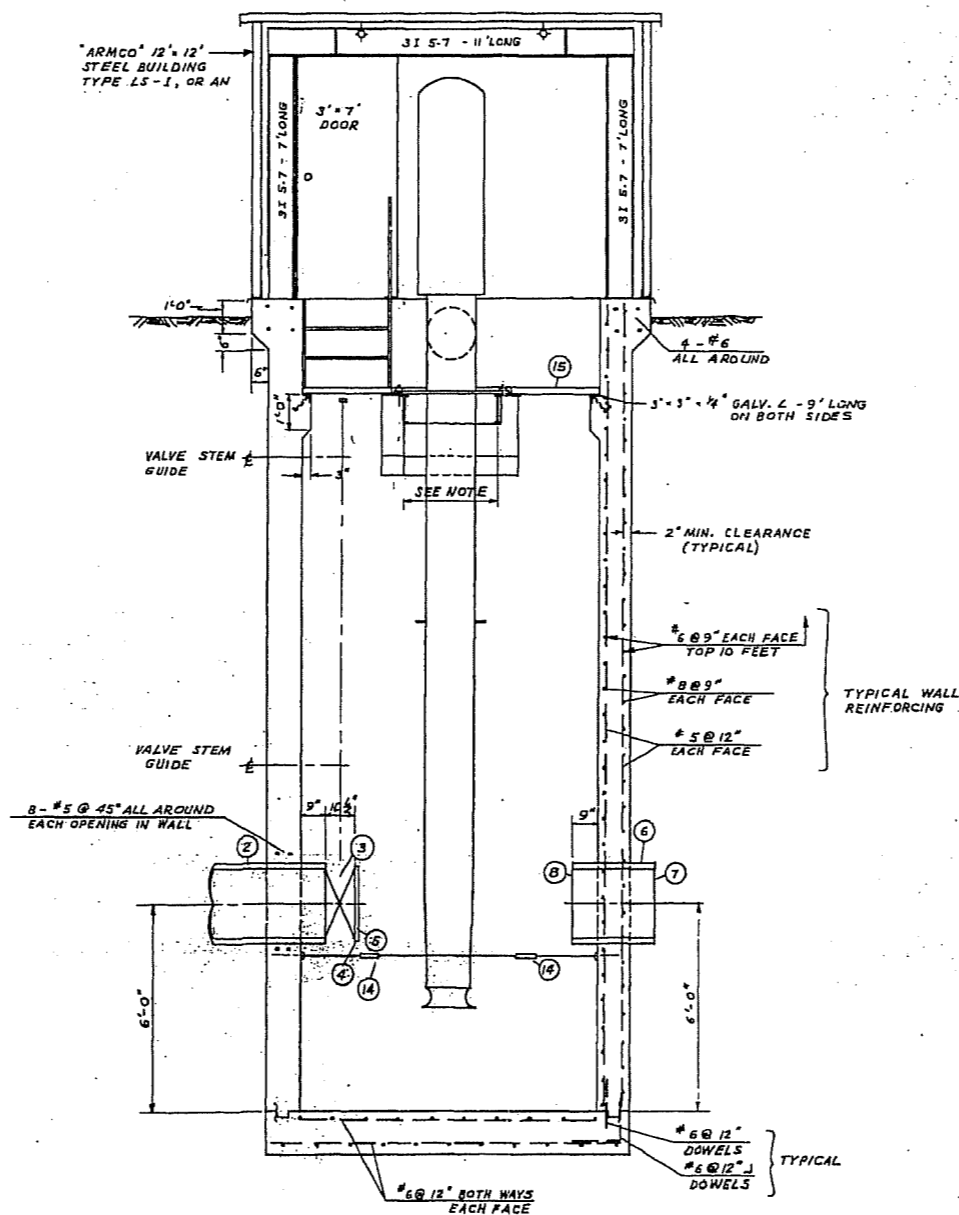
SCALE AS NOTED
 DRAWING NO. **D-1222**

NOTE:

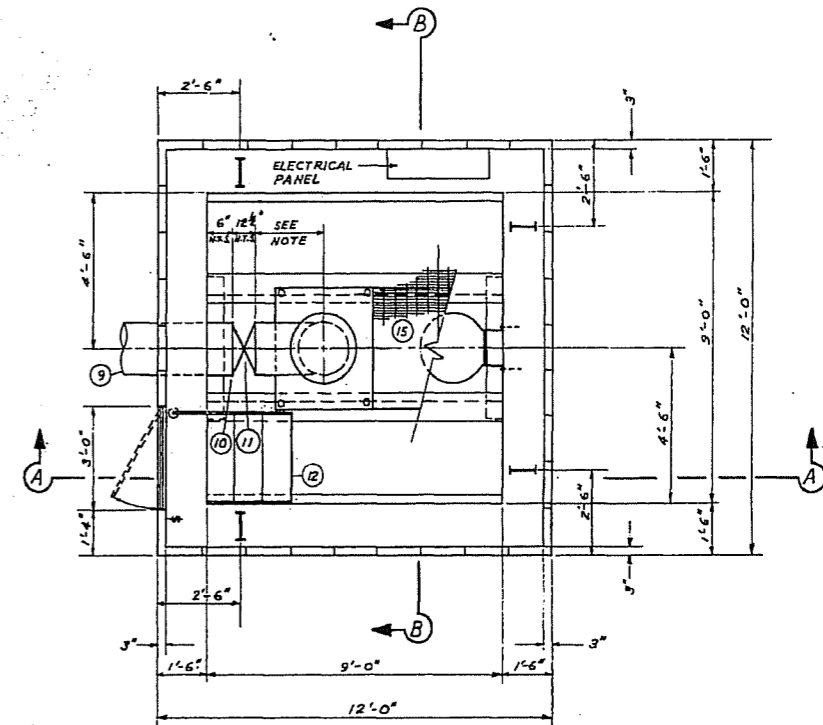
- BY OTHERS — 1. FOR SCHEMATIC OF ELECTRICAL SYSTEM SEE DWG. NO. D-1233
 2. ALL DIMENSIONS SHOWN "SEE NOTE" SHALL BE GIVEN AND/OR DETERMINED BY PUMP MANUFACTURER'S SHOP DRAWINGS, SUBJECT TO APPROVAL OF THE ENGINEER PRIOR TO CONSTRUCTION.
 3. ALL SECTIONS OF ALUMINUM GRATING SHALL BE REMOVABLE EXCEPT THOSE SECTIONS UNDER THE STAIRS 1/8" DISCHARGE VALVE.
 BY OTHERS — 4. FLYGT LEVEL REGULATORS SHALL BE SET TO START AND STOP THE PUMP AT A DISTANCE FROM THE BOTTOM OF THE WELL 13 FEET AND 8 FEET RESPECTIVELY.



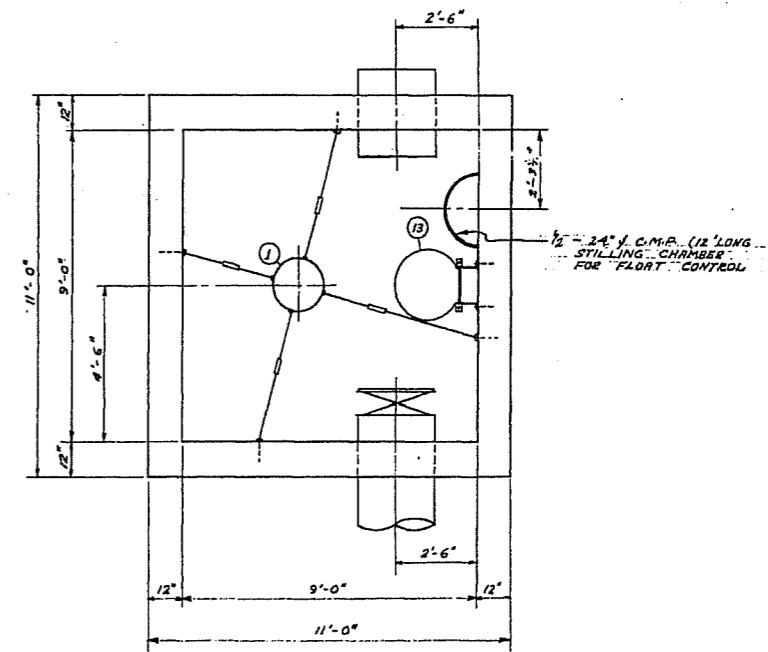
SEC. A-A



SEC. B-B



SEC. C-C
UPPER DECK



SEC. D-D

SUPPLIED BY CORPORATION

LIST OF MATERIALS

NO.	DESCRIPTION	SIZE	QUANTITY	SEE DETAIL ON DWG. NO.	NO.	DESCRIPTION	SIZE	QUANTITY	SEE DETAIL ON DWG. NO.
1	VERTICAL LIFT PUMP	18"	1		9	18" - 3/4" STEEL PIPE - ONE END MACHINED FOR VICTAULIC	10' - 0" L.	1	
2	24" CONG. PIPE - FLANGED ONE END		1		10	18" STYLE #44 VICTAULIC COUPLING		1	
3	24" BUTTERFLY VALVE - FLANGE TO VICTAULIC		1		11	18" BUTTERFLY VALVE - FLANGE TO VICTAULIC		1	
4	24" STYLE #44 VICTAULIC COUPLING		1		12	STD. ALUMINUM STAIRS @ 45° 7/16" PIPE HANDRAIL	2'-6" WIDE	1	
5	24" VICTAULIC CAP (NOT STANDARD ITEM)		1		13	STD. METRO WATERWORKS SAFETY LADDER	20' - 6" L.	1	A-909
6	24" CONG. PIPE - FLANGE TO BELL	2'-6" LONG	1		14	3/8" - 6" EYE TO EYE GALV. TURNBUCKLE & WIRE ROPE SLING TO SUIT ATTACHED TO EYE BOLTS ON PIPE FLANGE & WALL		1	SEE NOTE
7	PLYWOOD PLUG		1		15	IRVING ALUM. GRATING TYPE AA - 2" - 3/16"	2' - 0" MAX. WIDTH	1	SEE NOTE
8	24" BLIND FLANGE 4 1/2" HOLE IN CENTRE TAPPED & PLUGGED		1		16	FLYGT LEVEL REGULATOR TYPE ENP-10		2	SEE NOTE
18	1" EYE BOLTS WELDED TO STEM (BOTH SIDES)		2		17	CABLE TRAY FOR FLOAT CONTROLS		1	



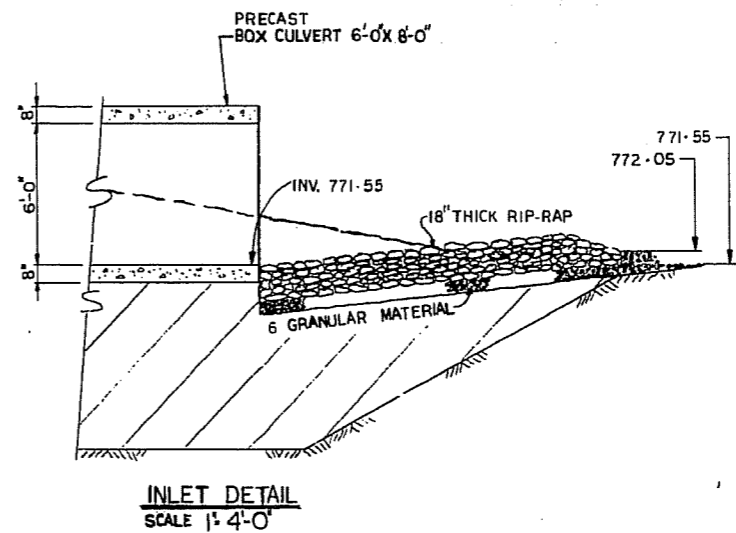
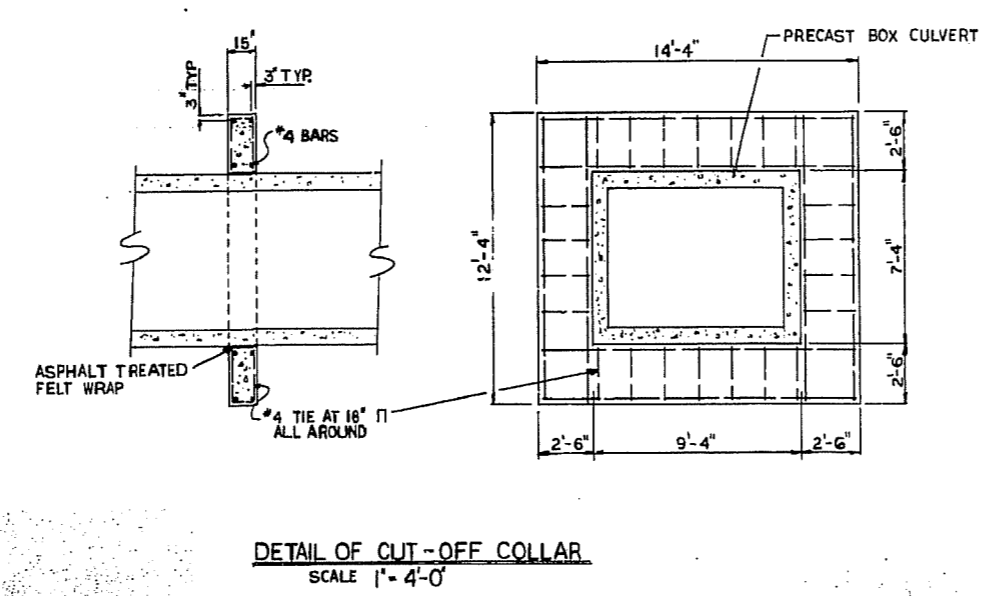
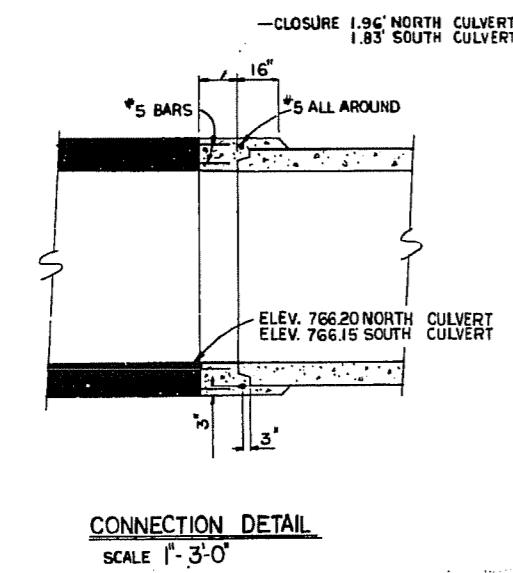
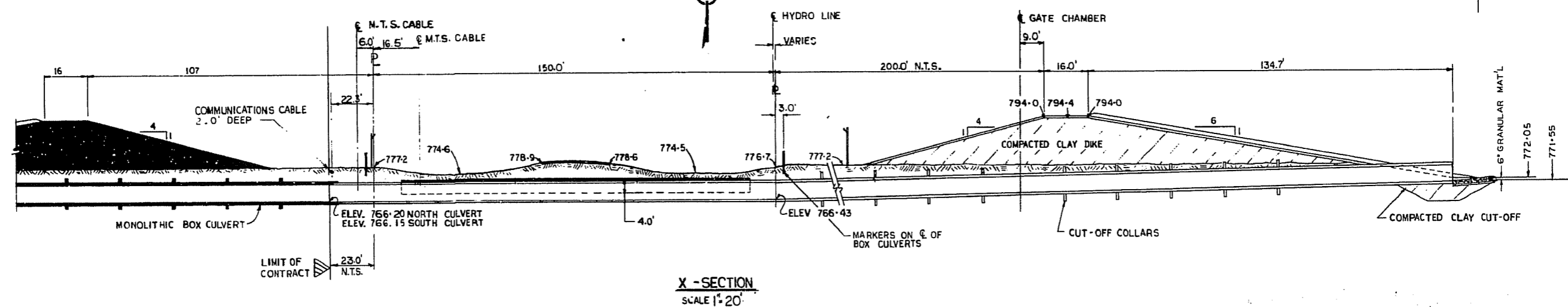
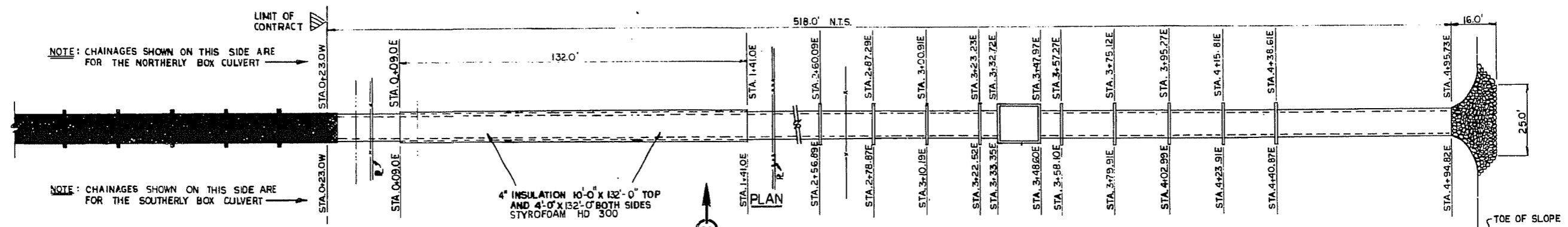
THE METROPOLITAN CORPORATION OF GREATER WINNIPEG
WATERWORKS & WASTE DISPOSAL DIVISION
 A. PENMAN - DIRECTOR

WATERWORKS DEPT.
DEACON RESERVOIR
 STAGE I
DRAINAGE PUMPING STATION

SURVEYED & PLAN CHECKED
 DESIGNED AS BUILT
 BY: W.A.C.
 NO. APP. 123
 DATE: APR. 70
 APPROVED: [Signature]

SCALE: 1/8" = 1'-0"
 DRAWING NO. **D-1233**

MICROFILMED mar77



NO.	DESCRIPTION	DATE	BY
3	REVISED TO AS-BUILT	790201	R.F.
2	DIKE MOVED 100' EAST	24/5/77	R.H.
1	REVISED NOTE (SUPPLIED BY BOX CULVERT MANUF.)	9/5/77	R.F.

REVISIONS

The City of Winnipeg
Waterworks, Waste and Disposal Division

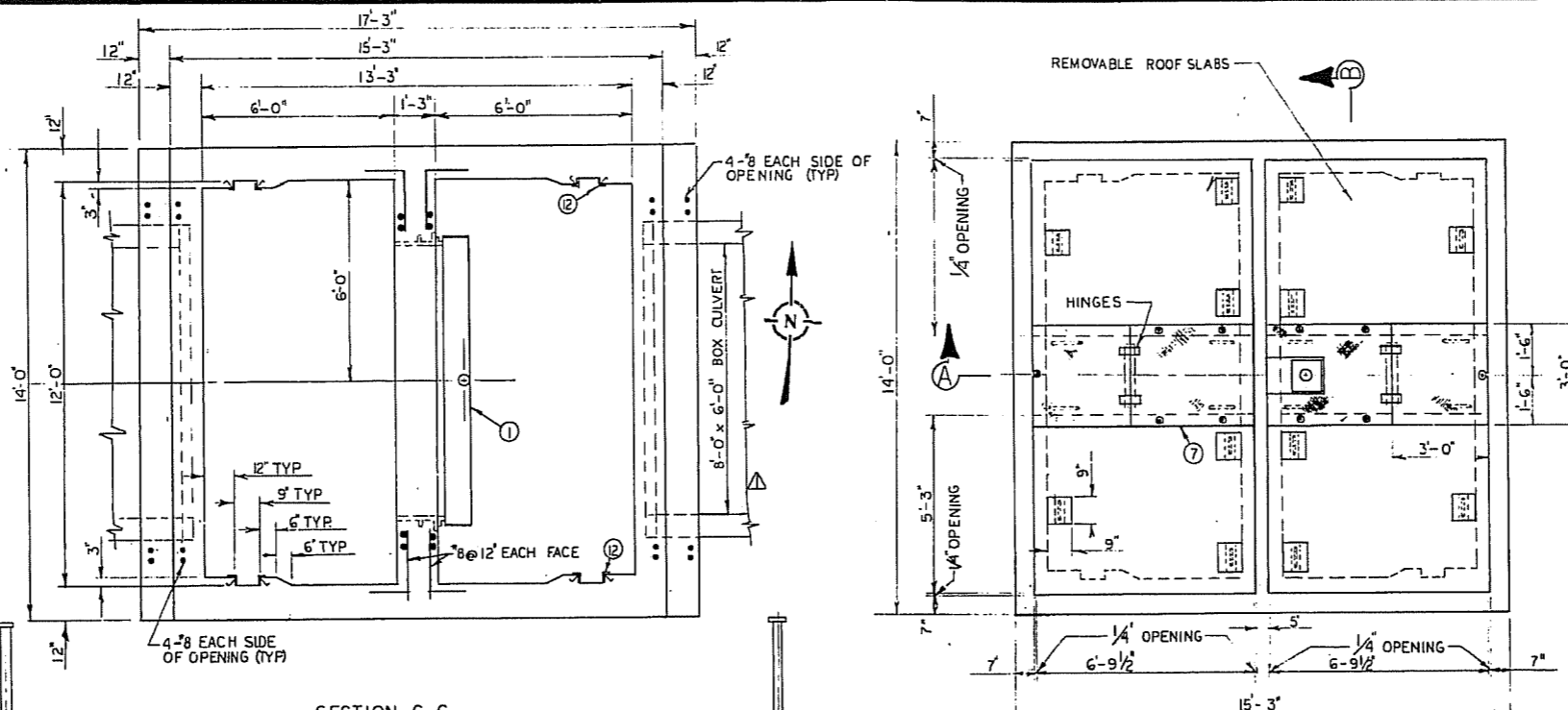
ENGINEERING BRANCH
WATERWORKS

DEACON RESERVOIR CELL II
CELL INTERCONNECTION
BOX CULVERT DETAILS

DESIGNED BY PDW	DRAWN BY RH
CHECKED BY <i>[Signature]</i>	DATE 18-APR-77
APPROVED <i>[Signature]</i>	SCALE AS NOTED
REGISTERED ENGINEER 18/4/77	DRAWING NO. D-1339

MICROFILMED APR 8 1977

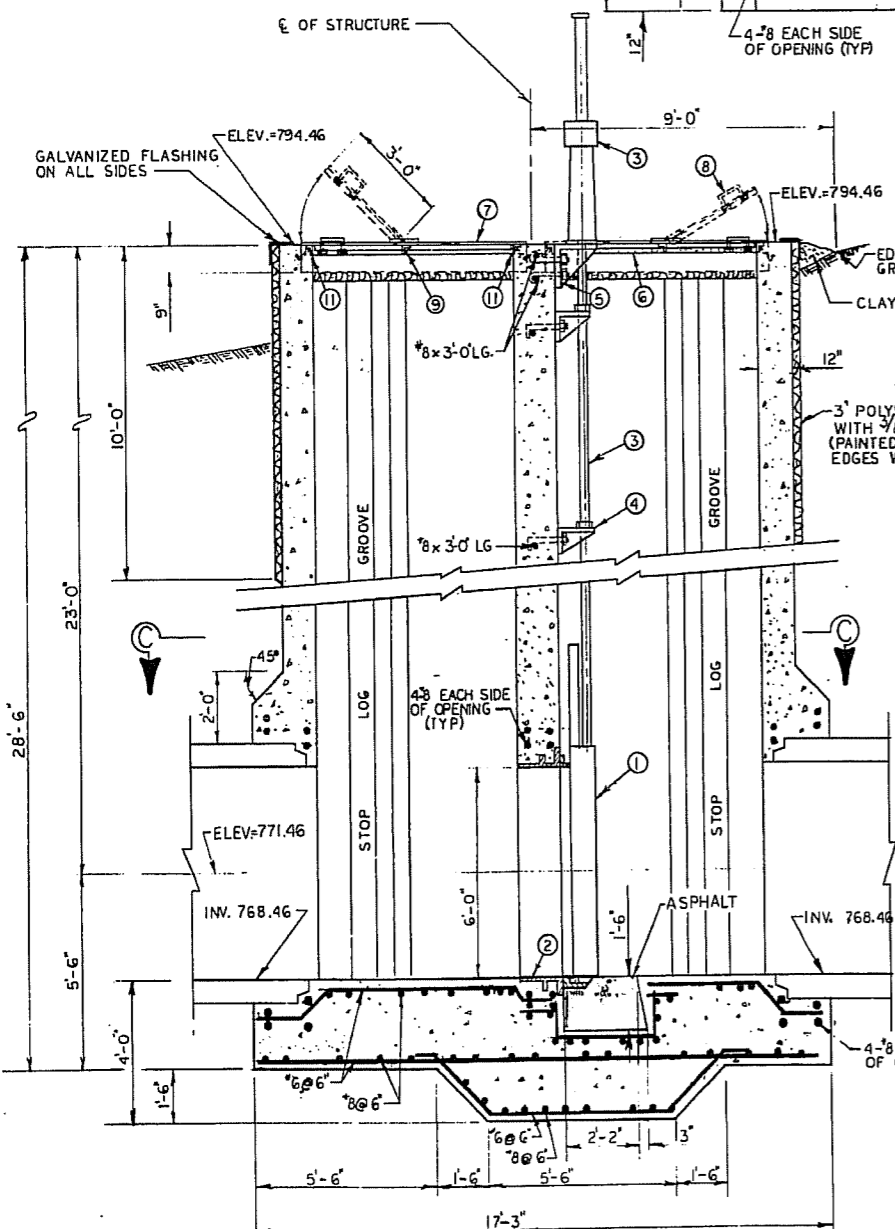
D. S. & W. Wilson 190307



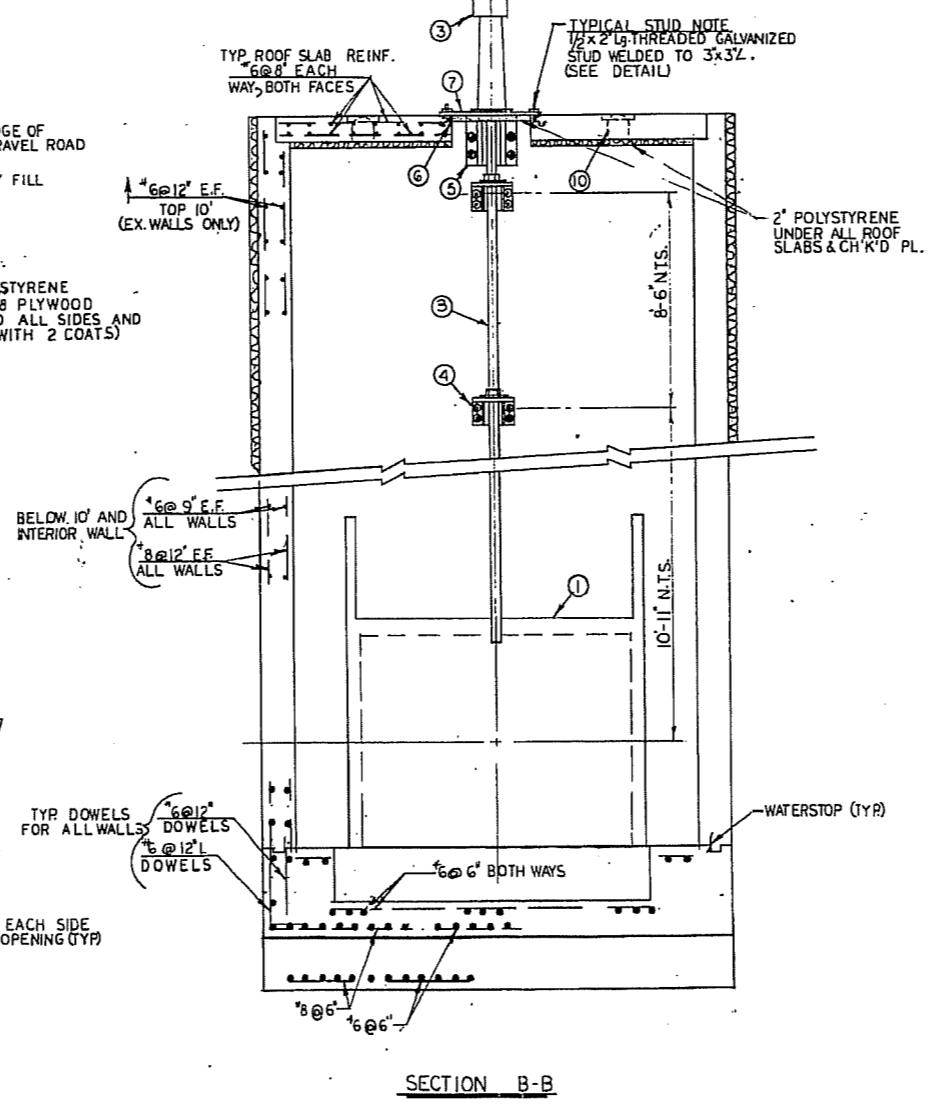
LIST OF MATERIALS				
NO.	DESCRIPTION	SIZE	QTY.	DWG. NO.
1	HEAVY DUTY SLUICE GATE*	96' x 72'	1	
2	TYPE "F" WALL THIMBLE	15"	1	
3	LIFTING DEVICE 3/4" STEM COVER AND COUNTER INDICATOR		1	
4	ADJUSTABLE STEM GUIDE		2	
5	WALL BRACKET FOR LIFT SUPPORT		1	
6	3x3x1/4 GALV. L (SEE NOTE RE. STUDS)	6'-9 1/2" Lg.	4	
7	1/4" GALV. CH'K'D PLATE	SEE DWG.		
8	LIFTING LUG		8	A-910
9	3x3x1/4 GALV. L (WELD TO 1/4" PLATE ON THE UNDERSIDE OF HINGED AREA)	2'-4" Lg.	2	
10	3/4" GALV. RECESSED LIFTING LUG		8	D-1337
11	3x3x1/4 GALV. L	3'-0" LG.	4	
12	3x3x3/16 GALV. L	3.7" FT.	8	

NOTE: QUANTITIES SHOWN ARE FOR ONE CHAMBER (TWO REQUIRED)

- ▲ SUPPLIED BY GATE MANUF.
- * SLUICE GATE SUPPLIED BY RODNEY HUNT SEE MANUFACTURER'S FILE NO. F-710



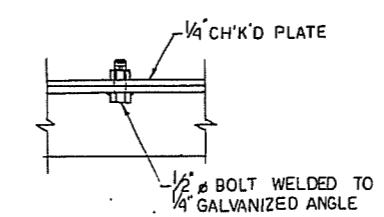
SECTION C-C



SECTION B-B



ROOF PLAN



STUD DETAIL
3/8" = 1'-0"

NO.	DESCRIPTION	DATE	BY
3	REVISED TO AS-BUILT	790201	R.F.
▲	CHANGED NOTE TO (SUPPLIED BY GATE MANUF.)	770511	R.F.
▲	CHANGED NOTE TO (SUPPLIED BY BOX CULVERT MANUF.)	770505	R.F.

REVISIONS

The City of Winnipeg
Waterworks, Waste and Disposal Division

ENGINEERING BRANCH
WATERWORKS

DEACON RESERVOIR CELL II
BOX CULVERT GATE CHAMBERS

MICROFILMED APR - 6 1979

DESIGNED BY P.D.W.	DRAWN BY R.F.
CHECKED BY <i>[Signature]</i>	DATE APRIL 21-77
APPROVED BY <i>[Signature]</i>	DRAWING NO. D-1345

SCALE: 3/8" = 1'-0"

D. J. ... W. ... 790403