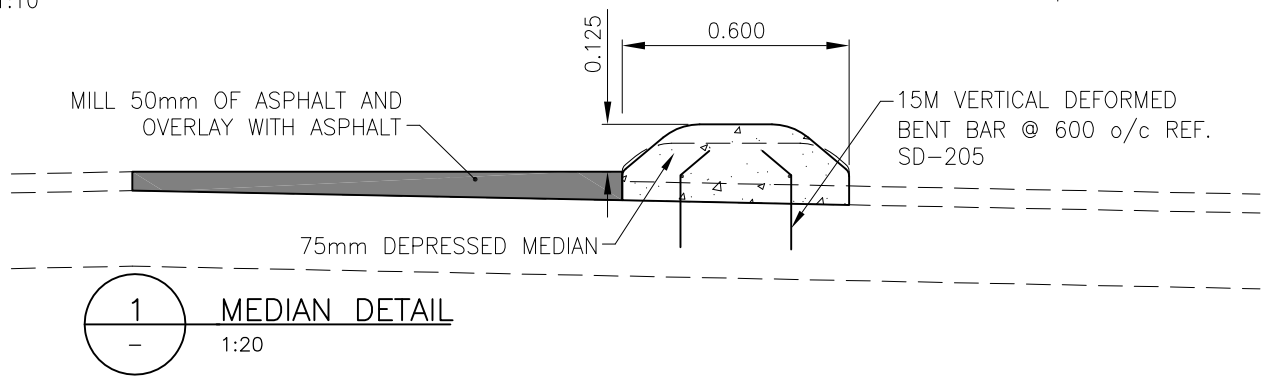
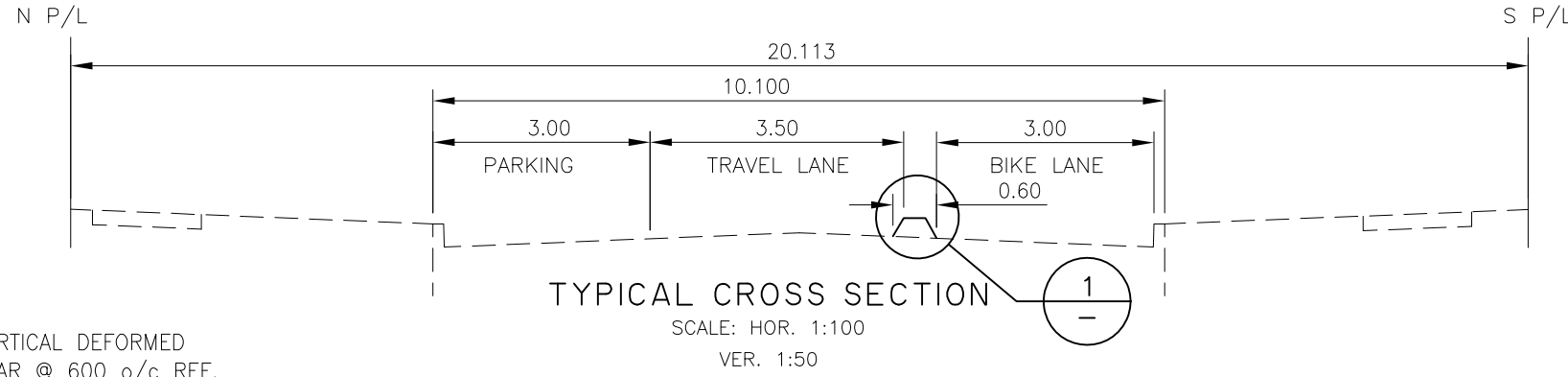
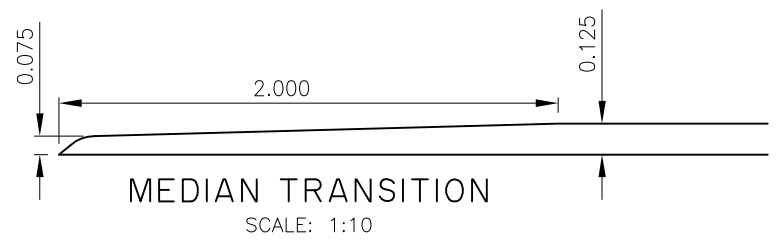
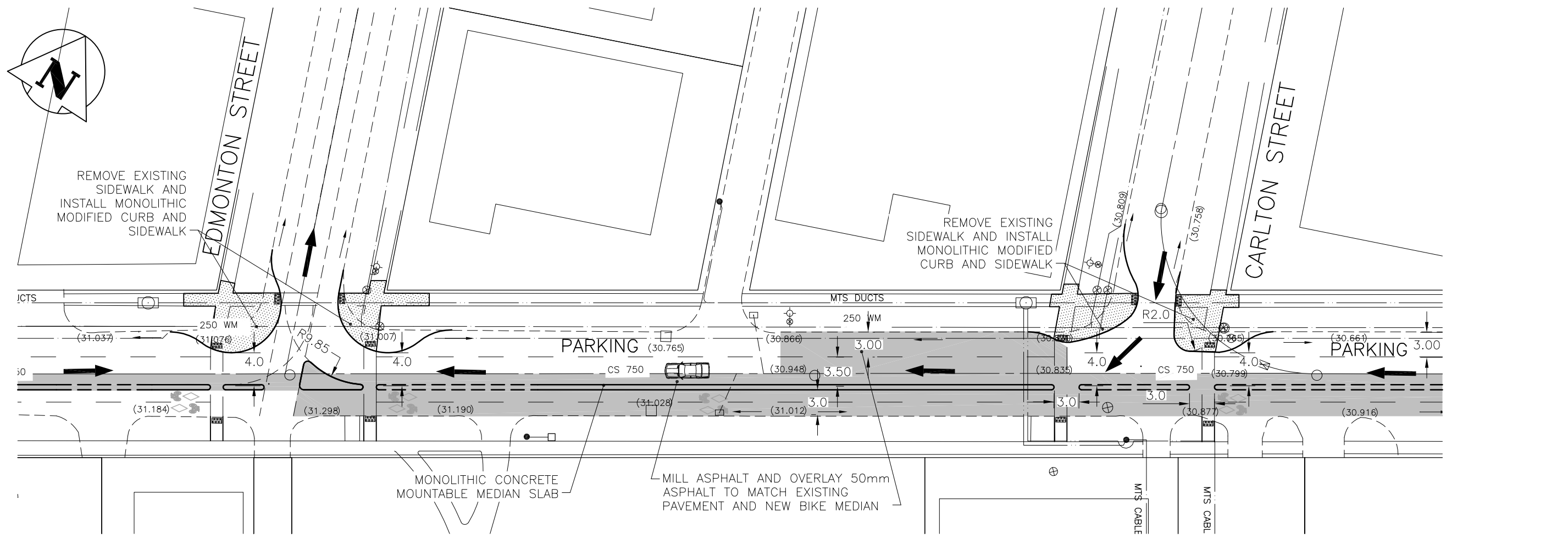


ASSINIBOINE AVENUE



WARNING

IF POWER EQUIPMENT OR EXPLOSIVES ARE TO BE USED FOR EXCAVATION ON THIS PROJECT THE CONTRACTOR MUST:
 1) NOTIFY THE GAS COMPANY OF THE PROPOSED LOCATION OF EXCAVATION.
 2) TAKE PRECAUTION TO AVOID DAMAGE TO GAS COMPANY INSTALLATIONS.
 SEE PROVINCIAL REGULATION 140/92 FOR DETAILS

METRIC

WHOLE NUMBERS INDICATE MILLIMETRES
 DECIMALIZED NUMBERS INDICATE METRES

NOTES:

- ALL NEW RADII ARE 6.0m AT INTERSECTIONS AND CURB EXTENSIONS UNLESS OTHERWISE NOTED.
- 100mm MODIFIED CURB ON RADII
- INSTALL DETECTABLE WARNING SURFACE ON ALL SIDEWALK CROSSING INTERSECTIONS (PER CITY STANDARDS)
- REFER TO SHEETS 10,11,12 FOR PLANTING LOCATIONS

APEGM
 Certificate of Authorization
 Stantec Consulting Ltd.
 No. 1301 Date: _____

LOCATION APPROVED UNDERGROUND STRUCTURES

SUPV. U/G STRUCTURES COMMITTEE DATE

NOTE:
 LOCATION OF UNDERGROUND STRUCTURES AS SHOWN ARE BASED ON THE BEST INFORMATION AVAILABLE BUT NO GUARANTEE IS GIVEN THAT ALL EXISTING UTILITIES ARE SHOWN OR THAT THE GIVEN LOCATIONS ARE EXACT. CONFIRMATION OF EXISTENCE AND EXACT LOCATION OF ALL SERVICES MUST BE OBTAINED FROM THE INDIVIDUAL UTILITIES BEFORE PROCEEDING WITH CONSTRUCTION.

B.M.	25-009		
ELEV.	233.016		
NO.	REVISIONS	DATE	BY
2	ISSUED FOR TENDER	10.07.13	V.M.M.
1	ISSUED FOR REVIEW	-.-.-	V.M.M.
0	ISSUED FOR REVIEW	10.06.07	V.M.M.

Stantec Consulting Ltd.
 905 Waverley Street, Winnipeg, Manitoba
 Tel 204-489-5900 Fax 204-453-9012

DESIGNED BY	V.M.M.	CHECKED BY	R.P.K.
DRAWN BY	T.G./D.M.	APPROVED BY	V.M.M.
HOR. SCALE:	1:500	RELEASED FOR CONSTRUCTION:	-
VERTICAL:	N/A	DATE	-

DATE 09.09.15

ENGINEER'S SEAL

 CONSULTANT DRAWING NO. C-102

THE CITY OF WINNIPEG
 PUBLIC WORKS DEPARTMENT
 TRANSPORTATION ENGINEERING DIVISION

ASSINIBOINE AVENUE
 KENNEDY STREET TO MAIN STREET
 EDMONTON STREET TO CARLTON STREET
 BIKE BOULEVARD

SHEET	3	OF	12
CAD FILE DRAWING NUMBER	05150c-101.dwg		
CITY DRAWING NUMBER	P-3315-02		

V:\1137\active\113705150\drawing\402_design\sheet_files\05150c-101-B.dwg 2010-07-12 03:17PM By: mbradley