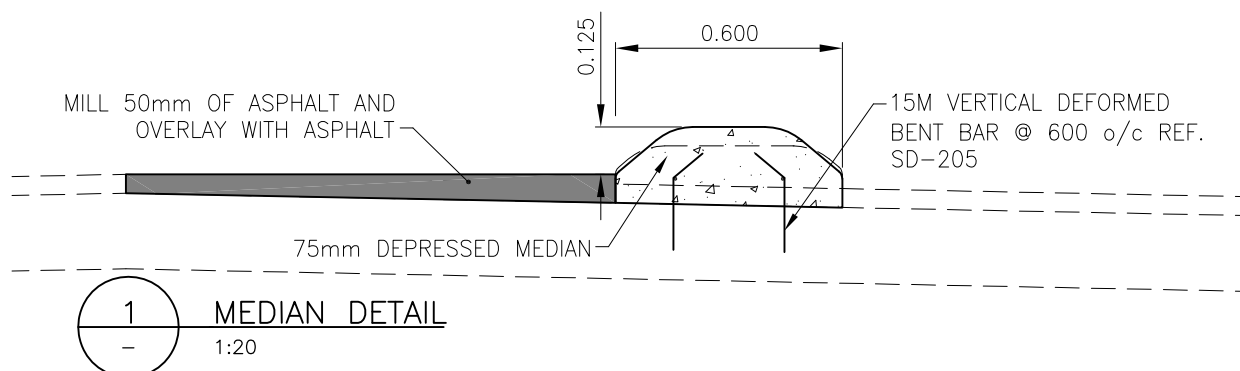
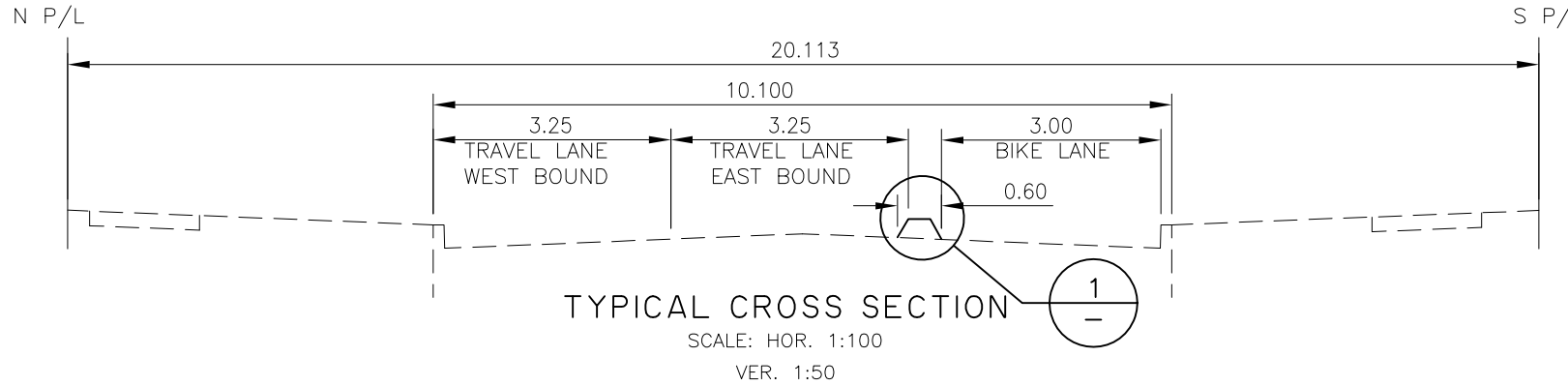
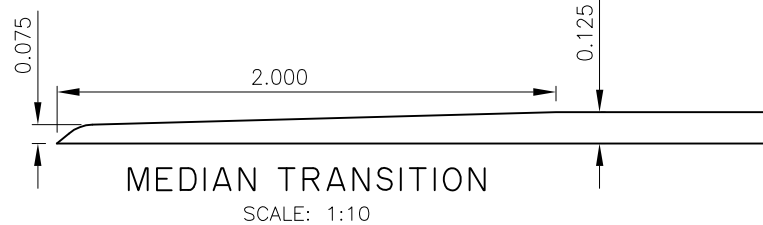
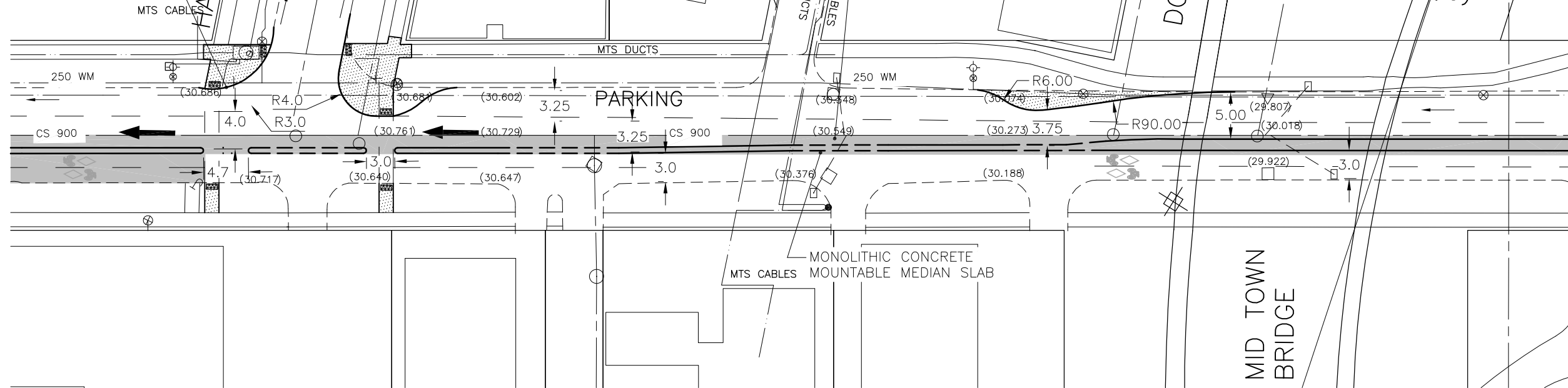


REMOVE EXISTING  
IDEWALK AND INSTALL  
MONOLITHIC MODIFIED  
CURB AND SIDEWALK



- NOTES:
1. ALL NEW RADII ARE 6.0m AT INTERSECTIONS AND CURB EXTENSIONS UNLESS OTHERWISE NOTED.
  2. 100mm MODIFIED CURB ON RADII
  3. INSTALL DETECTABLE WARNING SURFACE ON ALL SIDEWALK CROSSING INTERSECTIONS (PER CITY STANDARDS)
  4. REFER TO SHEETS 10,11,12 FOR PLANTING LOCATIONS

**WARNING**

IF POWER EQUIPMENT OR EXPLOSIVES ARE TO BE USED FOR EXCAVATION ON THIS PROJECT THE CONTRACTOR MUST:  
1) NOTIFY THE GAS COMPANY OF THE PROPOSED LOCATION OF EXCAVATION.  
2) TAKE PRECAUTION TO AVOID DAMAGE TO GAS COMPANY INSTALLATIONS.  
SEE PROVINCIAL REGULATION 140/92 FOR DETAILS

**METRIC**

WHOLE NUMBERS INDICATE MILLIMETRES  
DECIMALIZED NUMBERS INDICATE METRES

**APEGM**  
Certificate of Authorization  
Stantec Consulting Ltd.  
No. 1301 Date: \_\_\_\_\_

V:\1137\active\113705150\drawing\402\_design\sheet\_files\05150c-101-B.dwg 2010-07-12 03:18PM By: mbradley

**LOCATION APPROVED UNDERGROUND STRUCTURES**

SUPV. U/G STRUCTURES COMMITTEE	DATE

**NOTE:**  
LOCATION OF UNDERGROUND STRUCTURES AS SHOWN ARE BASED ON THE BEST INFORMATION AVAILABLE BUT NO GUARANTEE IS GIVEN THAT ALL EXISTING UTILITIES ARE SHOWN OR THAT THE GIVEN LOCATIONS ARE EXACT. CONFIRMATION OF EXISTENCE AND EXACT LOCATION OF ALL SERVICES MUST BE OBTAINED FROM THE INDIVIDUAL UTILITIES BEFORE PROCEEDING WITH CONSTRUCTION.

B.M.	25-009		
ELEV.	233.016		
NO.	REVISIONS	DATE	BY
2	ISSUED FOR TENDER	10.07.13	V.M.M.
1	ISSUED FOR REVIEW	-.-.-	V.M.M.
0	ISSUED FOR REVIEW	10.06.07	V.M.M.

**Stantec Consulting Ltd.**  
905 Waverley Street, Winnipeg, Manitoba  
Tel 204-489-5900 Fax 204-453-9012

DESIGNED BY	V.M.M.	CHECKED BY	R.P.K.
DRAWN BY	T.G./D.M.	APPROVED BY	V.M.M.
HOR. SCALE:	1:500	RELEASED FOR CONSTRUCTION:	-
VERTICAL:	N/A	DATE	-

ENGINEER'S SEAL

CONSULTANT DRAWING NO.  
C-104

**THE CITY OF WINNIPEG**  
PUBLIC WORKS DEPARTMENT  
TRANSPORTATION ENGINEERING DIVISION

ASSINIBOINE AVENUE  
KENNEDY STREET TO MAIN STREET  
HARGRAVE STREET TO MIDTOWN BRIDGE  
BIKE BOULEVARD

SHEET	OF
5	12
CAD FILE DRAWING NUMBER 05150c-101.dwg	
CITY DRAWING NUMBER P-3315-04	