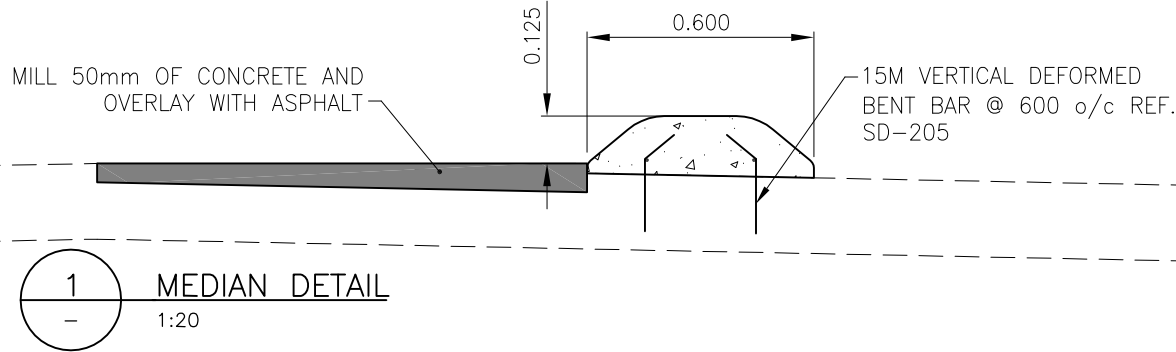
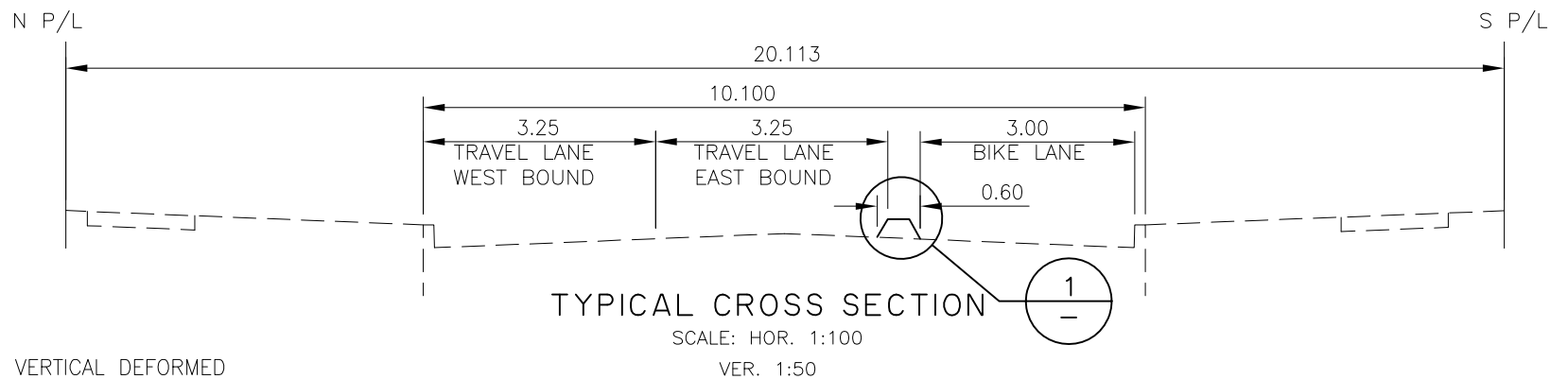
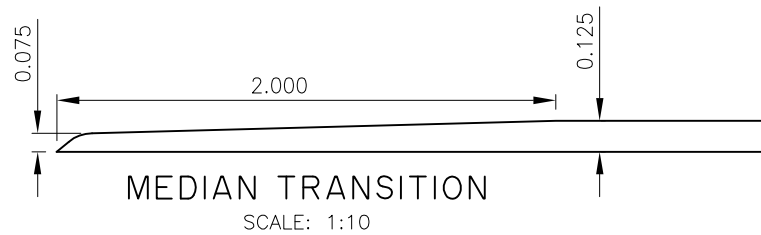
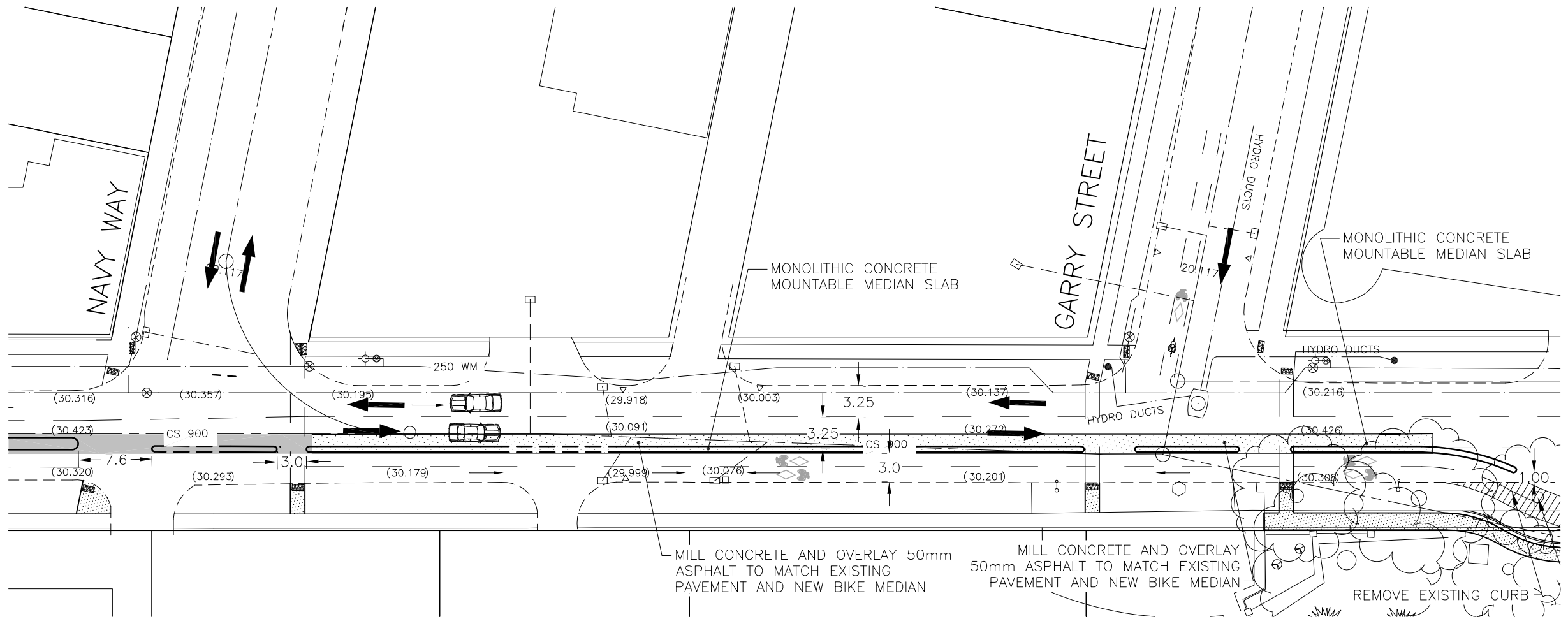
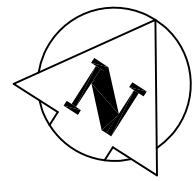


ASSINIBOINE AVENUE



WARNING

IF POWER EQUIPMENT OR EXPLOSIVES ARE TO BE USED FOR EXCAVATION ON THIS PROJECT THE CONTRACTOR MUST:
 1) NOTIFY THE GAS COMPANY OF THE PROPOSED LOCATION OF EXCAVATION.
 2) TAKE PRECAUTION TO AVOID DAMAGE TO GAS COMPANY INSTALLATIONS.
 SEE PROVINCIAL REGULATION 140/92 FOR DETAILS

METRIC

WHOLE NUMBERS INDICATE MILLIMETRES
 DECIMALIZED NUMBERS INDICATE METRES

NOTES:

- ALL NEW RADII ARE 6.0m AT INTERSECTIONS AND CURB EXTENSIONS UNLESS OTHERWISE NOTED.
- 100mm MODIFIED CURB ON RADII
- INSTALL DETECTABLE WARNING SURFACE ON ALL SIDEWALK CROSSING INTERSECTIONS (PER CITY STANDARDS)
- REFER TO SHEETS 10,11,12 FOR PLANTING LOCATIONS



Certificate of Authorization

Stantec Consulting Ltd.

No. 1301 Date: _____

LOCATION APPROVED UNDERGROUND STRUCTURES

SUPV. U/G STRUCTURES DATE COMMITTEE

NOTE:
 LOCATION OF UNDERGROUND STRUCTURES AS SHOWN ARE BASED ON THE BEST INFORMATION AVAILABLE BUT NO GUARANTEE IS GIVEN THAT ALL EXISTING UTILITIES ARE SHOWN OR THAT THE GIVEN LOCATIONS ARE EXACT. CONFIRMATION OF EXISTENCE AND EXACT LOCATION OF ALL SERVICES MUST BE OBTAINED FROM THE INDIVIDUAL UTILITIES BEFORE PROCEEDING WITH CONSTRUCTION.

B.M.	25-009		
ELEV.	233.016		
NO.	REVISIONS	DATE	BY
2	ISSUED FOR TENDER	10.07.13	V.M.M.
1	ISSUED FOR REVIEW	-.-.-	V.M.M.
0	ISSUED FOR REVIEW	10.06.07	V.M.M.



Stantec Consulting Ltd.

905 Waverley Street, Winnipeg, Manitoba
 Tel 204-489-5900 Fax 204-453-9012

DESIGNED BY	V.M.M.	CHECKED BY	R.P.K.
DRAWN BY	T.G./D.M.	APPROVED BY	V.M.M.
HOR. SCALE:	1:500	RELEASED FOR CONSTRUCTION:	-
VERTICAL:	N/A	DATE	-
DATE	09.09.15		

ENGINEER'S SEAL



CONSULTANT DRAWING NO.
 C-106



THE CITY OF WINNIPEG

**PUBLIC WORKS DEPARTMENT
 TRANSPORTATION ENGINEERING DIVISION**

ASSINIBOINE AVENUE
 KENNEDY STREET TO MAIN STREET
 NAVY WAY TO GARRY STREET
 BIKE BOULEVARD

SHEET	7	OF	12
CAD FILE DRAWING NUMBER	05150c-101.dwg		
CITY DRAWING NUMBER	P-3315-06		