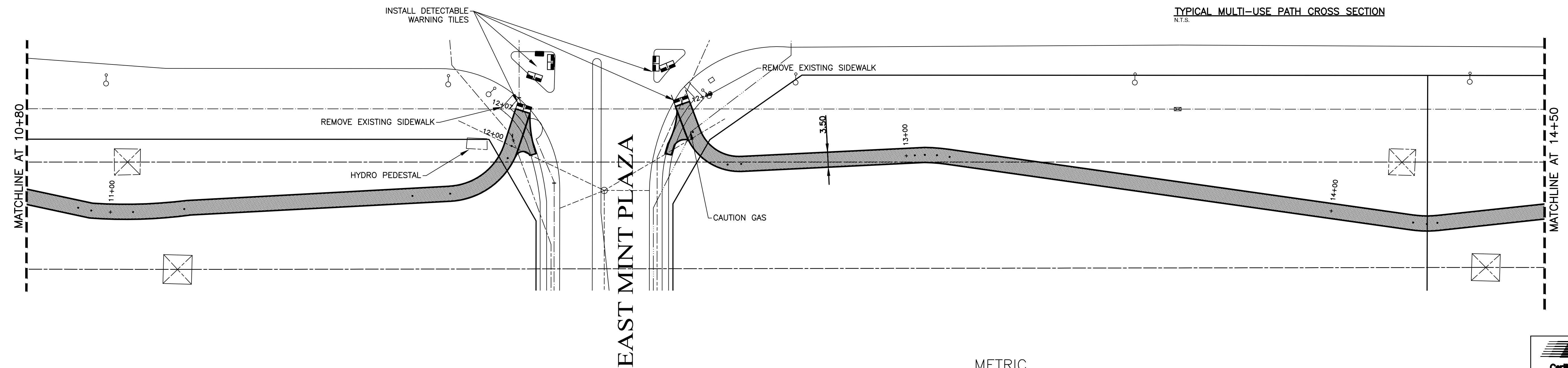
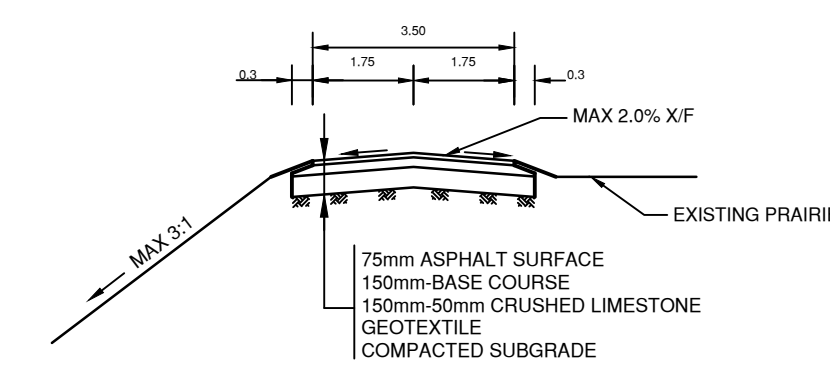


NOTES:

1. LOCATION OF PATHWAY, DITCHES, BOULEVARD, AND CULVERTS TO BE FINALIZED IN THE FIELD BY CONTRACT ADMINISTRATOR
2. CONTRACTOR TO TAKE PRECAUTIONARY STEPS TO AVOID DAMAGE FROM CONSTRUCTION ACTIVITIES TO TREES WITHIN THE LIMITS OF CONSTRUCTION
3. REGRADEING OF EXISTING DITCHES TO BE DIRECTED BY CONTRACT ADMINISTRATOR
4. RENEWAL OF EXISTING APPROACHES, PAVEMENT, CURBS, SIDEWALKS, CULVERTS, DITCHES AND BOULEVARD TO BE DIRECTED BY CONTRACT ADMINISTRATOR

CHAINAGE ALONG
CENTER OF PATH
LAGIMODIERE BLVD



METRIC
WHOLE NUMBERS INDICATE MILLIMETRES
DECIMALIZED NUMBERS INDICATE METRES



---	WATERMAIN	---	HYDRO	---	CENTER LINE	---	LOCATION APPROVED
⊕	HYDRANT	⊕	M.T.S.	---	NORTH GUTTER LINE	---	
⊕	VALVE	⊕	CONCRETE	---	SOUTH GUTTER LINE	---	
---	LAND DRAINAGE SEWER	---	ASPHALT	---	WATERMAIN	---	
---	WASTE WATER SEWER	---	PROPERTY LINE	---	VALVE	---	
○	MANHOLE	⊕	SURVEY BAR	---	LAND DRAINAGE SEWER	---	
□	CATCH BASIN	⊕	CURB STOP	---	WASTE WATER SEWER	---	
△	CURB INLET	⊕	C.B. LEAD	---	JUNCTIONS	---	
---	TRAFFIC SIGNAL	---	SIDEWALK RAMP	---	CULVERT	---	
---	STEAM HT.	---	ELEVATIONS	---	ASPH./CONC. PAD	---	
---	GAS	---		---	GARAGE PAD	---	
---	EXISTING	---	LEGEND - PLAN	---	LEGEND - PROFILE	---	
---	PROPOSED	---		---		---	

NO.	REVISIONS	DATE	BY

GENIVAR
10 PRAIRIE WAY WINNIPEG, MANITOBA R2J 3J8
PH: (204)-477-8650 FAX: (204)-474-2864

DESIGNED BY	MBS	CHECKED BY	SM
DRAWN BY	MBS	APPROVED BY	IMcK
HOR. SCALE:	1:500	RELEASED FOR CONSTRUCTION	
VERT. SCALE:	1:50	DATE	AUGUST 2010

ENGINEERS SEAL
I. G. MCKINNON
CONSULTANT DRAWING NO. 09-150-21

Winnipeg
THE CITY OF WINNIPEG
PUBLIC WORKS DEPARTMENT

**2010 ACTIVE TRANSPORTATION
INFRASTRUCTURE STIMULUS PROGRAM
LAGIMODIERE MULTI-USE PATH**

FROM MATCHLINE AT STATION 10+80
TO MATCHLINE AT STATION 14+50

CITY DRAWING NO.	N/A
SHEET	12
TENDER NO.	544-2010