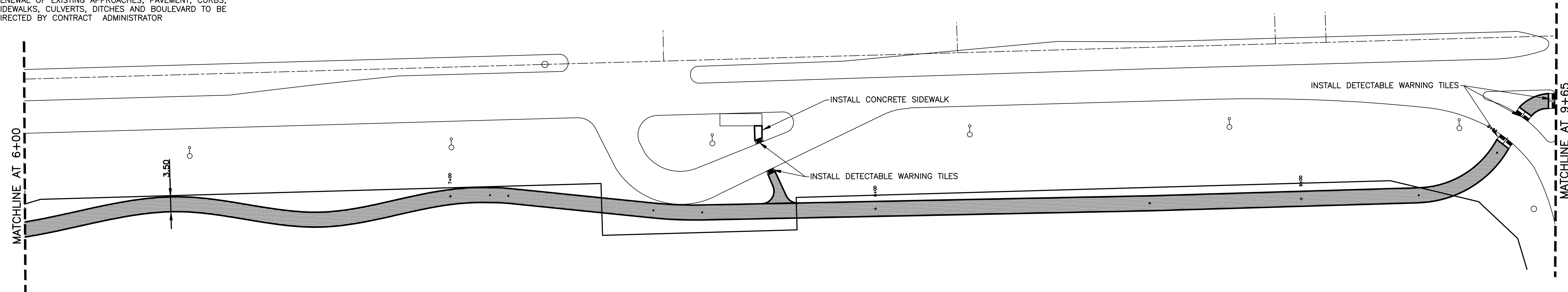
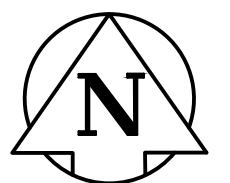


NOTES:

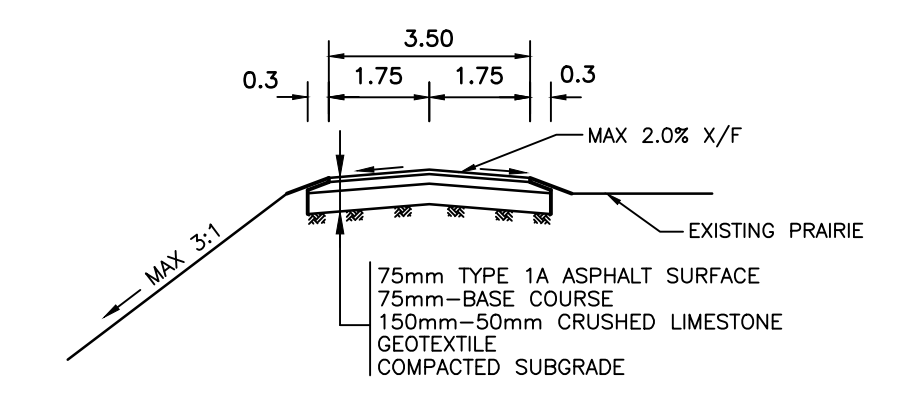
1. LOCATION OF PATHWAY, DITCHES, BOULEVARD, AND CULVERTS TO BE FINALIZED IN THE FIELD BY CONTRACT ADMINISTRATOR
2. CONTRACTOR TO TAKE PRECAUTIONARY STEPS TO AVOID DAMAGE FROM CONSTRUCTION ACTIVITIES TO TREES WITHIN THE LIMITS OF CONSTRUCTION
3. REGRADEING OF EXISTING DITCHES TO BE DIRECTED BY CONTRACT ADMINISTRATOR
4. RENEWAL OF EXISTING APPROACHES, PAVEMENT, CURBS, SIDEWALKS, CULVERTS, DITCHES AND BOULEVARD TO BE DIRECTED BY CONTRACT ADMINISTRATOR

**CHAINAGE ALONG
CENTER OF PATH
DUGALD ROAD**



MAZENOD ROAD

METRIC
WHOLE NUMBERS INDICATE MILLIMETRES
DECIMALIZED NUMBERS INDICATE METRES



	WATERMAIN		HYDRO		CENTER LINE
	HYDRANT		M.T.S.		NORTH GUTTER LINE
	VALVE		CONCRETE		SOUTH GUTTER LINE
	LAND DRAINAGE SEWER		ASPHALT		WATERMAIN
	WASTE WATER SEWER		PROPERTY LINE		VALVE
	MANHOLE		SURVEY BAR		LAND DRAINAGE SEWER
	CATCH BASIN		CURB STOP		WASTE WATER SEWER
	CURB INLET		C.B. LEAD		JUNCTIONS
	TRAFFIC SIGNAL		SIDEWALK RAMP		CULVERT
	STEAM HT.		ELEVATIONS		ASPH./CONC. PAD
	GAS		GARAGE PAD		PROPOSED
	EXISTING		LEGEND - PLAN		LEGEND - PROFILE

LOCATION APPROVED		DATE	
SUPV. U/G STRUCTURES COMMITTEE		DATE	
NOTE: LOCATION OF UNDERGROUND STRUCTURES AS SHOWN ARE BASED ON THE BEST INFORMATION AVAILABLE BUT NO GUARANTEE IS GIVEN THAT ALL EXISTING UTILITIES ARE SHOWN OR THAT THE GIVEN LOCATIONS ARE EXACT. CONFIRMATION OF EXISTENCE AND EXACT LOCATION OF ALL SERVICES MUST BE OBTAINED FROM THE INDIVIDUAL UTILITIES BEFORE PROCEEDING WITH CONSTRUCTION.			
NO.	REVISIONS	DATE	BY

GENIVAR
10 PRAIRIE WAY WINNIPEG, MANITOBA R2J 3J8
PH: (204)-477-8650 FAX: (204)-474-2864

DESIGNED BY: MBS	CHECKED BY: SM
DRAWN BY: MBS	APPROVED BY: IMcK
HOR. SCALE: 1:500	RELEASED FOR CONSTRUCTION
VERT. SCALE: 1:50	DATE: AUGUST 2010

ENGINEERS SEAL
I. G. MCKINNON
REGISTERED PROFESSIONAL ENGINEER
CONSULTANT DRAWING NO. 09-150-12

THE CITY OF WINNIPEG
PUBLIC WORKS DEPARTMENT

2010 ACTIVE TRANSPORTATION INFRASTRUCTURE STIMULUS PROGRAM DUGALD MULTI-USE PATH

FROM MATCHLINE AT STATION 6+00 TO MATCHLINE AT STATION 9+65

CITY DRAWING NO. N/A
SHEET 3 OF 8
TENDER NO. 544-2010