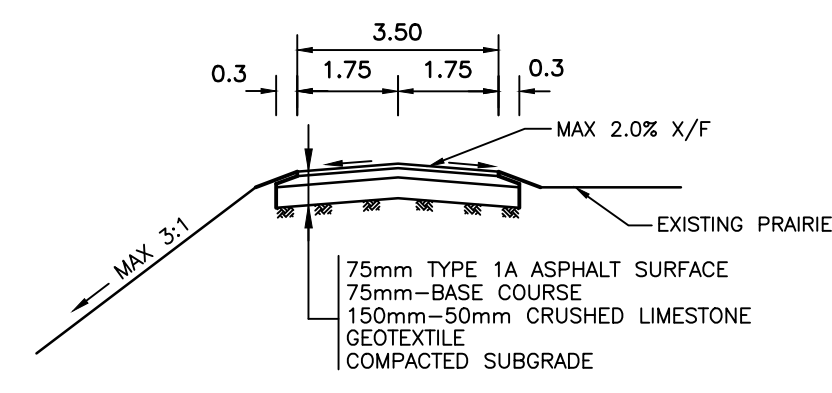
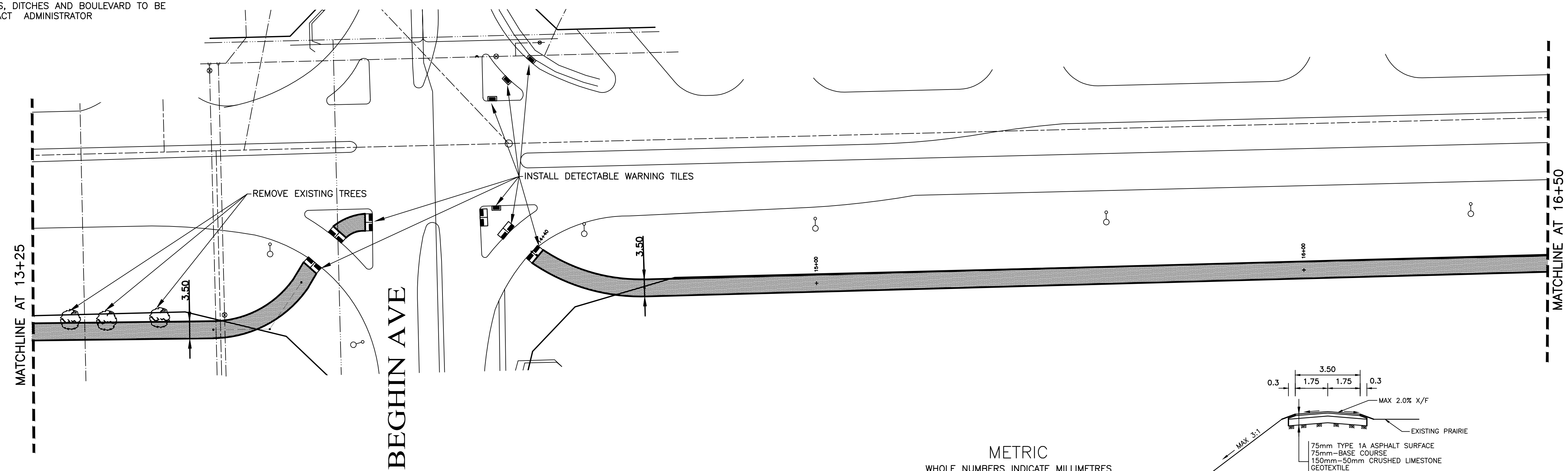
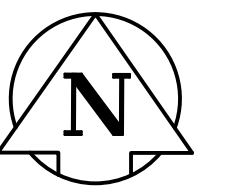


NOTES:

1. LOCATION OF PATHWAY, DITCHES, BOULEVARD, AND CULVERTS TO BE FINALIZED IN THE FIELD BY CONTRACT ADMINISTRATOR
2. CONTRACTOR TO TAKE PRECAUTIONARY STEPS TO AVOID DAMAGE FROM CONSTRUCTION ACTIVITIES TO TREES WITHIN THE LIMITS OF CONSTRUCTION
3. REGRADEING OF EXISTING DITCHES TO BE DIRECTED BY CONTRACT ADMINISTRATOR
4. RENEWAL OF EXISTING APPROACHES, PAVEMENT, CURBS, SIDEWALKS, CULVERTS, DITCHES AND BOULEVARD TO BE DIRECTED BY CONTRACT ADMINISTRATOR

CHAINAGE ALONG
CENTER OF PATH
DUGALD ROAD



METRIC
WHOLE NUMBERS INDICATE MILLIMETRES
DECIMALIZED NUMBERS INDICATE METRES



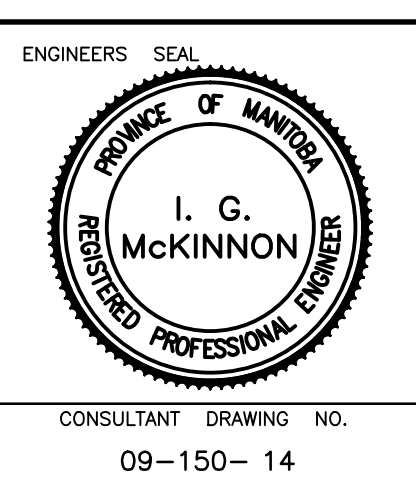
---	WATERMAIN	---	HYDRO	---	CENTER LINE	---	LOCATION APPROVED
⊕	HYDRANT	⊕	M.T.S.	---	NORTH GUTTER LINE	---	NO. REVISIONS
⊕	VALVE	⊕	CONCRETE	---	SOUTH GUTTER LINE	---	DATE
---	LAND DRAINAGE SEWER	---	ASPHALT	---	WATERMAIN	---	BY
---	WASTE WATER SEWER	---	PROPERTY LINE	---	VALVE	---	DATE
○	MANHOLE	⊕	SURVEY BAR	---	LAND DRAINAGE SEWER	---	DESIGNED BY
□	CATCH BASIN	⊕	CURB STOP	---	WASTE WATER SEWER	---	DRAWN BY
△	CURB INLET	⊕	C.B. LEAD	---	JUNCTIONS	---	HOR. SCALE: 1:500
---	TRAFFIC SIGNAL	---	SIDEWALK	---	CULVERT	---	VERT. SCALE: 1:50
---	STEAM HT.	---	SIDEWALK RAMP	---	ASPH./CONC. PAD	---	RELEASED FOR CONSTRUCTION
---	GAS	---	ELEVATIONS	---	GARAGE PAD	---	DATE
---	EXISTING	---	LEGEND - PLAN	---	LEGEND - PROFILE	---	DATE
---	LEGEND - PLAN	---	PROPOSED	---	PROPOSED	---	AUGUST 2010

NO.	REVISIONS	DATE	BY

GENIVAR
10 PRAIRIE WAY WINNIPEG, MANITOBA R2J 3J8
PH: (204)-477-8650 FAX: (204)-474-2864

DESIGNED BY: MBS
DRAWN BY: MBS
HOR. SCALE: 1:500
VERT. SCALE: 1:50
DATE: AUGUST 2010

CHECKED BY: SM
APPROVED BY: IMcK
RELEASED FOR CONSTRUCTION
DATE: AUGUST 2010



Winnipeg THE CITY OF WINNIPEG
PUBLIC WORKS DEPARTMENT

2010 ACTIVE TRANSPORTATION
INFRASTRUCTURE STIMULUS PROGRAM
DUGALD MULTI-USE PATH
FROM MATCHLINE AT STATION 13+25
TO MATCHLINE AT STATION 16+50

CITY DRAWING NO. N/A
SHEET 5 OF 8
TENDER NO. 544-2010

CONSULTANT DRAWING NO. 09-150-14