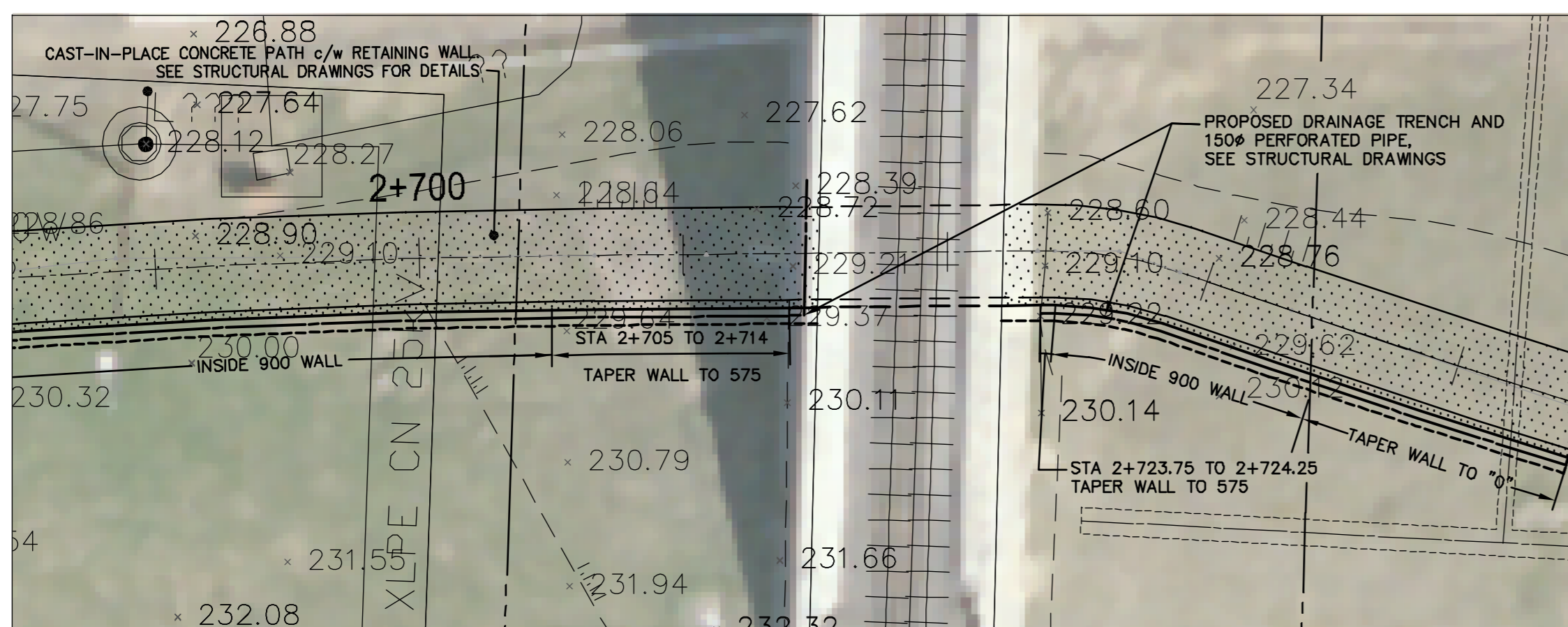
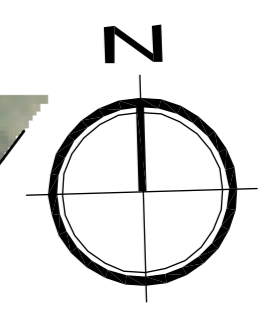
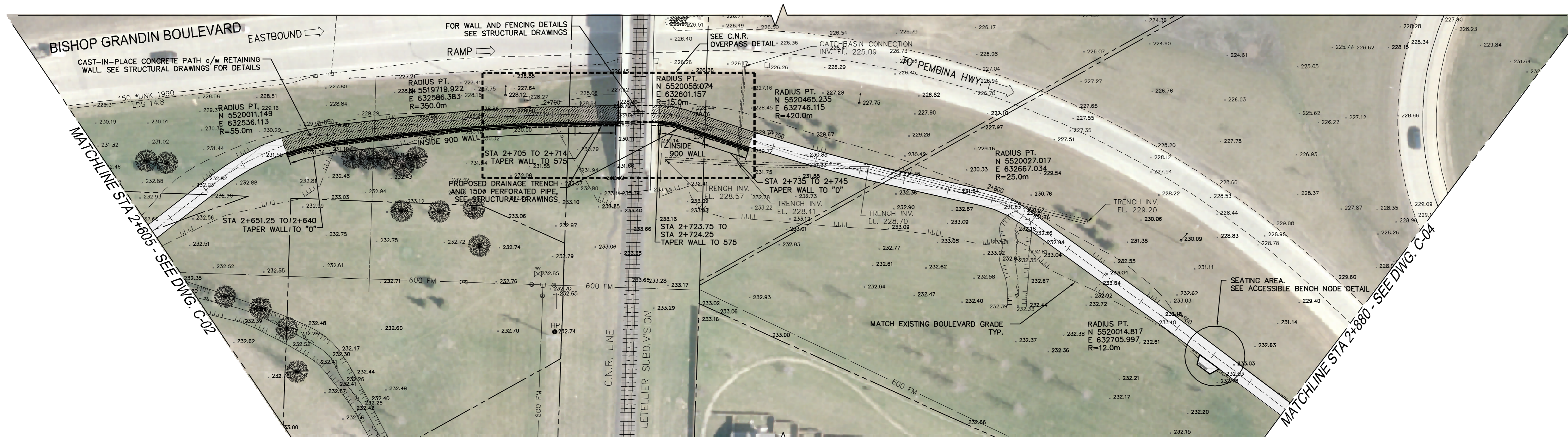
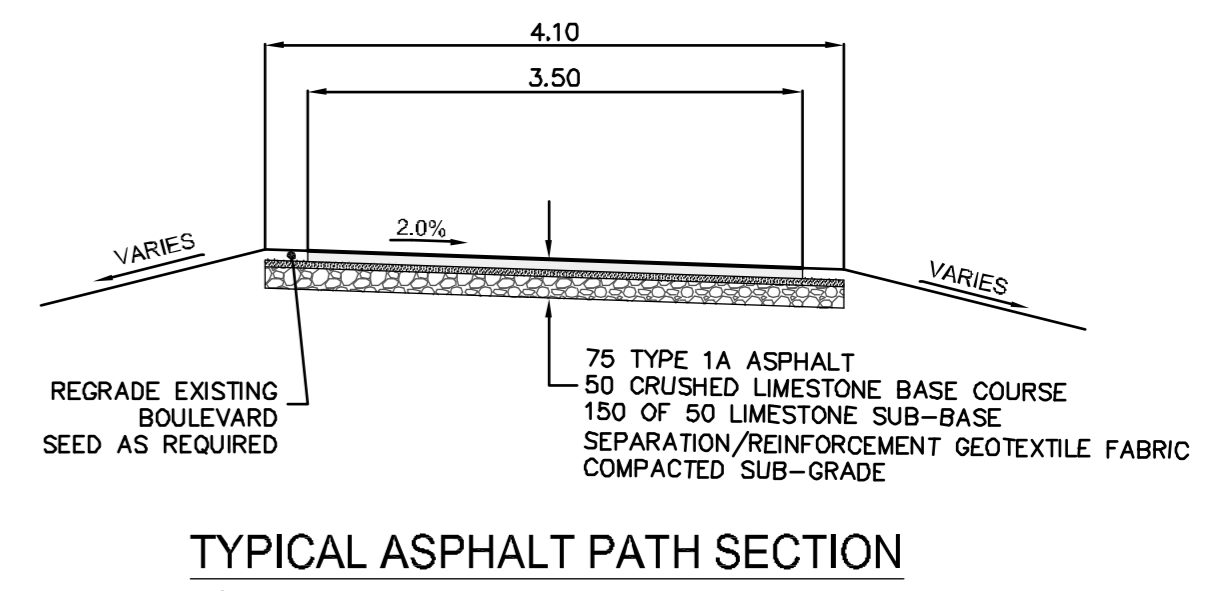
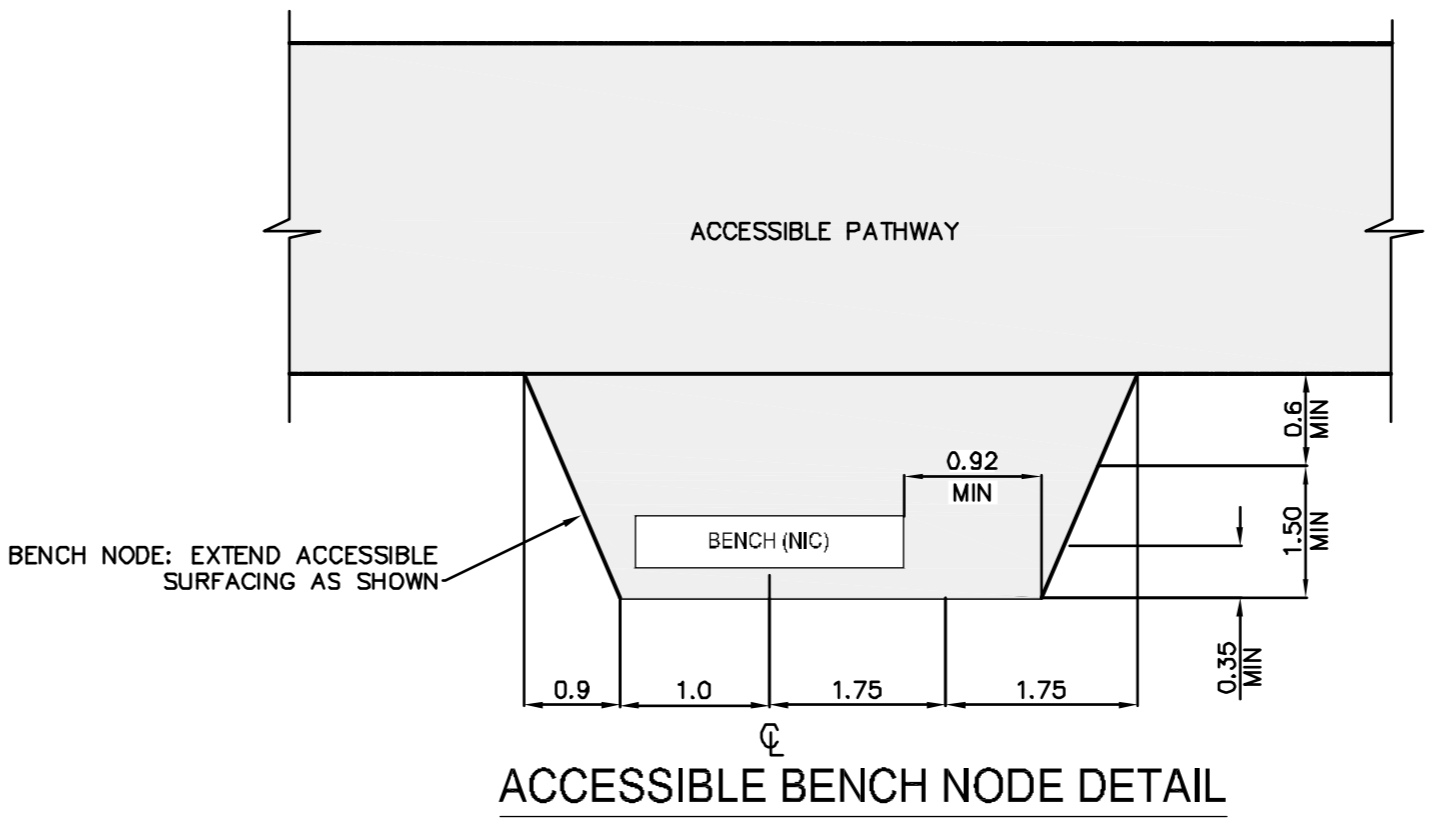
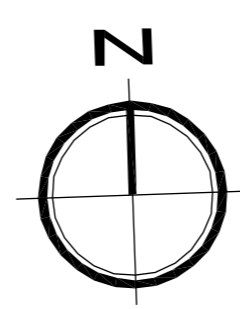




- NOTES:**
1. ALL WORK AND MATERIALS TO BE IN ACCORDANCE WITH THE LATEST REVISIONS OF THE CITY OF WINNIPEG STANDARD CONSTRUCTION SPECIFICATIONS.
 2. CONTRACTOR TO VERIFY DEPTH OF UTILITIES PRIOR TO CONSTRUCTION.
 3. LOCATION OF UNDERGROUND STRUCTURES AS SHOWN ARE BASED ON THE BEST INFORMATION AVAILABLE, BUT NO GUARANTEE IS GIVEN THAT ALL EXISTING UTILITIES ARE SHOWN OR THAT THE GIVEN LOCATIONS ARE EXACT. CONFIRMATION OF EXISTENCE AND EXACT LOCATION OF ALL SERVICES MUST BE OBTAINED FROM THE INDIVIDUAL UTILITIES BEFORE PROCEEDING WITH CONSTRUCTION.
 4. EXCAVATED MATERIAL TO BE USED AS BACKFILL WHERE REQUIRED.
 5. ALL SURFACES TO BE MAINTAINED OR RESTORED TO PREVIOUS CONDITION OR BETTER.
 6. REFER TO CITY OF WINNIPEG E-SPEC FOR INSTALLATION OF DETECTABLE WARNING SURFACE TILES (CONTACT BRUCE PETERS @ 986-5302 FOR FURTHER INFORMATION).



C.N.R. OVERPASS DETAIL
1:200



APEGM
Certificate of Authorization
MMM Group Limited
No. 4531 Date: JULY 12 2010

NOTE: These design documents are prepared solely for the use by the party with whom the design professional has entered into a contract and there are no representations of any kind made by the design professional to any party with whom the design professional has not entered into a contract.

EXISTING	LEGEND-PLAN	PROPOSED	EXISTING	LEGEND-PLAN	PROPOSED	EXISTING	LEGEND-PROFILE	PROPOSED	
	ASPHALT PATHWAY			EXISTING DITCH FLOW			EXISTING GROUND		PROPOSED CENTERLINE
	PROPOSED CONCRETE PATH			CMP CULVERT			MANHOLE		CATCH BASIN
	PROPERTY LINE			HYDRO POLE			EXISTING TRENCH DRAIN		
	WALKWAY ELEVATION			WATER VALVE					
	WATER VALVE			S/WALE					
	MTS CABLE			SEWER					
	CONC. W/W			WATER					
	WATER								

LOCATIONS APPROVED

NO.	REVISIONS	DATE	BY
2	REVISED VERTICAL GEOMETRY	12.07.10	RMB
1	ISSUED FOR REVIEW	20.08.09	RMB

G.B.M. ELEV.	232.335
DESIGNED BY	CWS
CHECKED BY	
DRAWN BY	CWS
APPROVED BY	RMB
HOR. SCALE	1:500
VERTICAL	1:50
RELEASED FOR CONSTRUCTION	
DATE	12.07.10

ENGINEER'S SEAL
R.M. BORODY
CONSULTANT ACAD DWG. NO. 5509078-C-03

CITY OF WINNIPEG PUBLIC WORKS DEPARTMENT ENGINEERING DIVISION
2010 ACTIVE TRANSPORTATION PROGRAM
BISHOP GRANDIN GREENWAY
PHASE II SOUTH SIDE PATHWAY EXTENSION
PEMBINA HIGHWAY TO 866m WEST OF PEMBINA HIGHWAY
STA. 2+805 TO 2+880

MM GROUP
2010 ACTIVE TRANSPORTATION PROGRAM
BISHOP GRANDIN GREENWAY
PHASE II SOUTH SIDE PATHWAY EXTENSION
PEMBINA HIGHWAY TO 866m WEST OF PEMBINA HIGHWAY
STA. 2+805 TO 2+880

C-03
SHEET 3 OF 6

Jul 14, 2010 1:16pm
P:\5509078-C-03 2009 Active Transportation Program\MM DRAWINGS\Phase II AutoCAD DWG\5509078-Phase II-CAD 100712.dwg -tab:C-03 2+805 TO 2+880