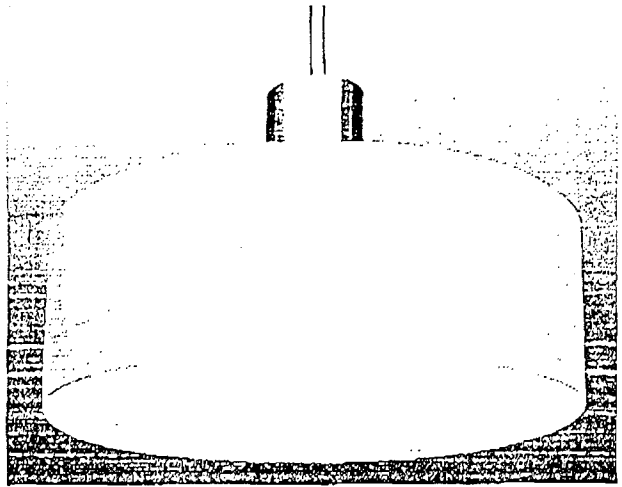


Luxtra™ LX15, LX24

Specifications



Housing:
Spun aluminum (Straight, Straight with Luminous Bottom, Stepped, Stepped with Luminous Bottom, Tennis, and Wok).

Reflector:
Specular aluminum and white enameled steel.

Diffuser:
Formed opal acrylic (Styles B, D).

Suspension:
1/2" OD stem with 45° swivel at canopy.
Chrome stem and canopy standard.

Electrical:
High power factor constant wattage auto transformers.

Finish:
Standard textured semi-gloss paint finish only.

Certification:
UL, CUL and IBEW labeled.

Fixture Number	Lamp Wattage	Ballast Location	Housing Style	Suspension Length	Housing Finish	Voltage
LX15	175MH 250MH 400MH	R - Remote S - Surface	A - Straight Side Solid Bottom B - Straight Side Luminous Bottom C - Step Side Solid Bottom D - Step Side Luminous Bottom E - Painted Reflector F - Wok	Ceiling to top of fixture in inches 60"	TSGW - Textured Semi-Gloss White or See Standard Colors All paint colors will be Textured. CC - Custom Color (color chip must be supplied) Refer to color chart at the back of catalogue.	120 or 277 347

*Ballast for 1000 watt MH must be Remote.

Lamping Configuration

Fixture Series	175MH	250MH	400MH	1000MH
LX15	1	1	1	
LX24	1	1	1	1

Vertical base-up coated lamp.

Due to a program of continuous improvement, LAM Lighting Systems reserves the right to make any variation in design or construction to the equipment described.

Options:
GLR fusing - suffix GLR.
Fusing 120 (1000MH only) - suffix KTK.
Emergency lighting wired for connection to separate circuit - suffix EL.
Stand-by lighting wired to sensing relay - suffix SL.
Note: EL and SL provides one 150 watt quartz lamp.
Natatorium construction for corrosion resistance - suffix NC.
Gymnasium construction. Consists of GYM guard and rigid construction between reflector and stem assembly - suffix GC.
Tennis construction. Consists of wire guard to allow ball to roll off - suffix TC.
Inline supplied with hook, cord and plug. Ballast located at top of stem - suffix IL.
Consult factory for availability of options.

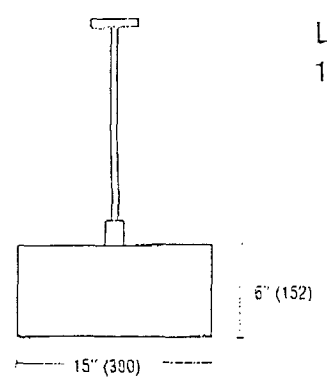
Example:

Fixture Number	Lamp Wattage	Ballast Location	Housing Style	Suspension Length	Housing Finish	Voltage	Options
LX15	175MH	R	A	36"	TSGW	120v	

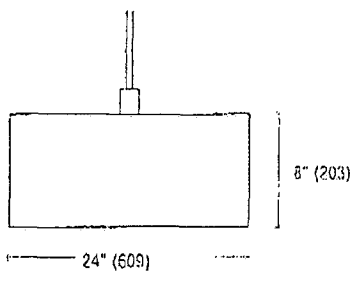
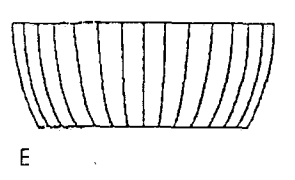
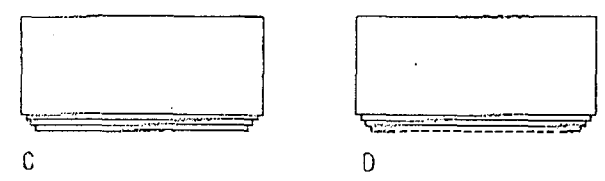
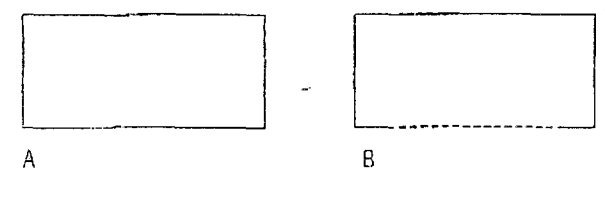
Project Name: St. James Centennial Pool Type: A

LX24	1000MH	R	A	60"	TSGW	347	WL
------	--------	---	---	-----	------	-----	----

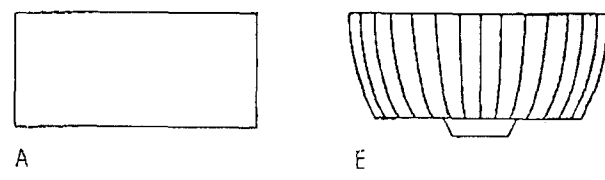
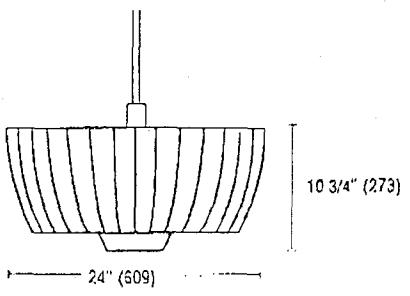
Cylindrical



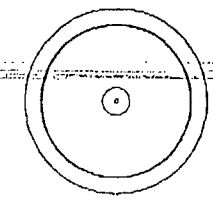
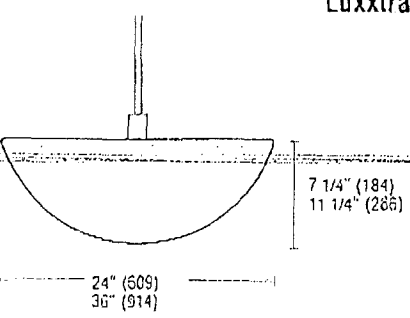
Luxtra™ A, B, C, D, E
15" & 24"



Luxtra™ A, E, 24" (1000 watt)



Luxtra™ F, 24" & 36"



Typical to all fixtures above.

DRAWING No. **E-1**

PROJECT:
**CLEANING & RELAMPING
644 PARKDALE**

DRAWING:
LAM FIXTURE - SHOP DRAWING