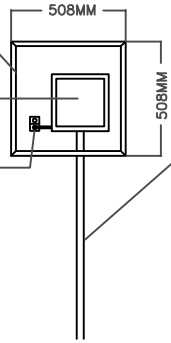


CONTROLLER UNIT METAL CASE  
(508MM X 508MM X 100MM)  
TO BE INSTALLED ON INTERIOR  
BUILDING WALL. CASE TO INCLUDE  
DOOR PANEL, HINGES AND LOCKING  
LATCH (TO BE SUPPLIED BY  
IRRIGATION CONTRACTOR)

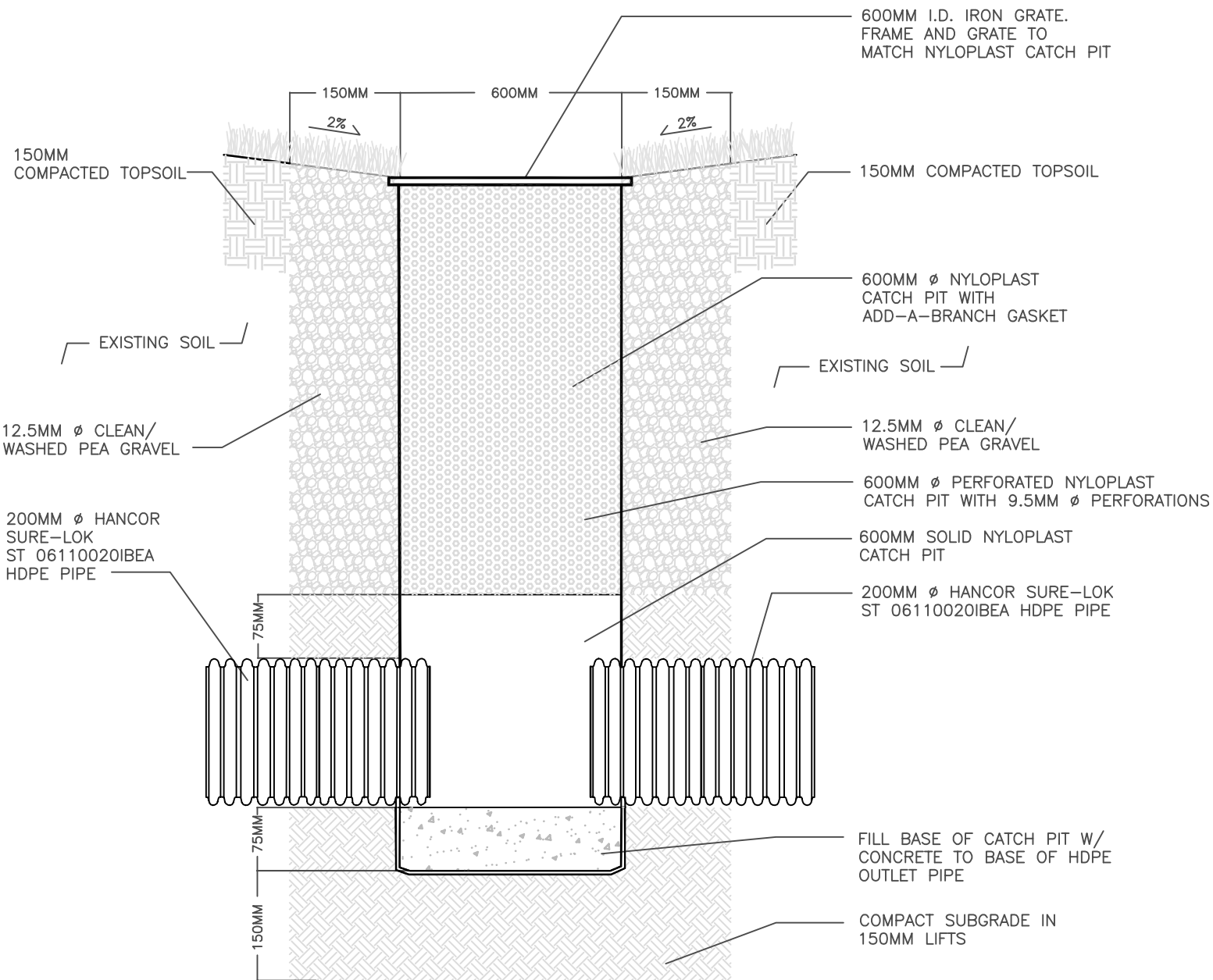
TORO TMC 212  
STATION CONTROLLER

110V ELECTRICAL  
OUTLET - HOUSED  
WITHIN METAL CASE

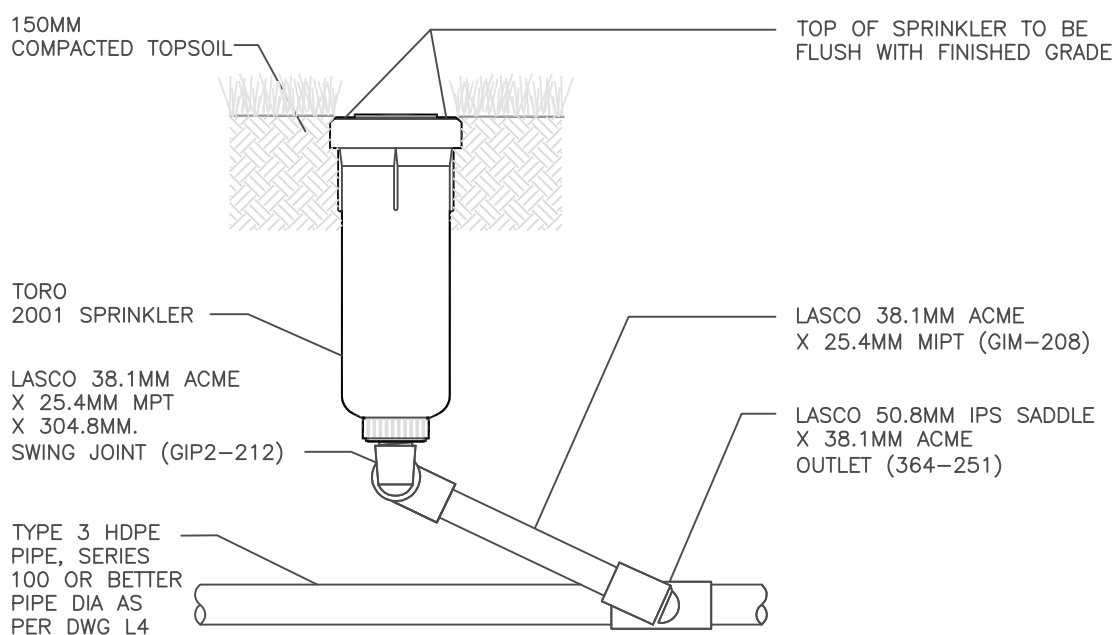
38MM DIA. ELECTRICAL  
CONDUIT FOR LOW VOLTAGE  
LINE TO PLAYING FIELD  
IRRIGATION



1 IRRIGATION CONTROLLER & WATER HOOK UP  
L 5 SCALE: NTS



2 SECTION THROUGH NYLOPLAST CATCH PIT  
L 5 SCALE: NTS



3 SECTION SHOWING SPRINKLER, SWING JOINT AND PIPE ASSEMBLY  
L 5 SCALE: NTS

LOCATION OF UNDERGROUND STRUCTURES AS SHOWN ARE BASED ON THE BEST INFORMATION AVAILABLE BUT NO GUARANTEE IS GIVEN THAT ALL EXISTING UTILITIES ARE SHOWN OR THAT THE GIVEN LOCATIONS ARE EXACT. CONFIRMATION OF EXISTENCE AND EXACT LOCATION OF ALL SERVICES MUST BE OBTAINED FROM THE INDIVIDUAL UTILITIES BEFORE PROCEEDING WITH CONSTRUCTION.