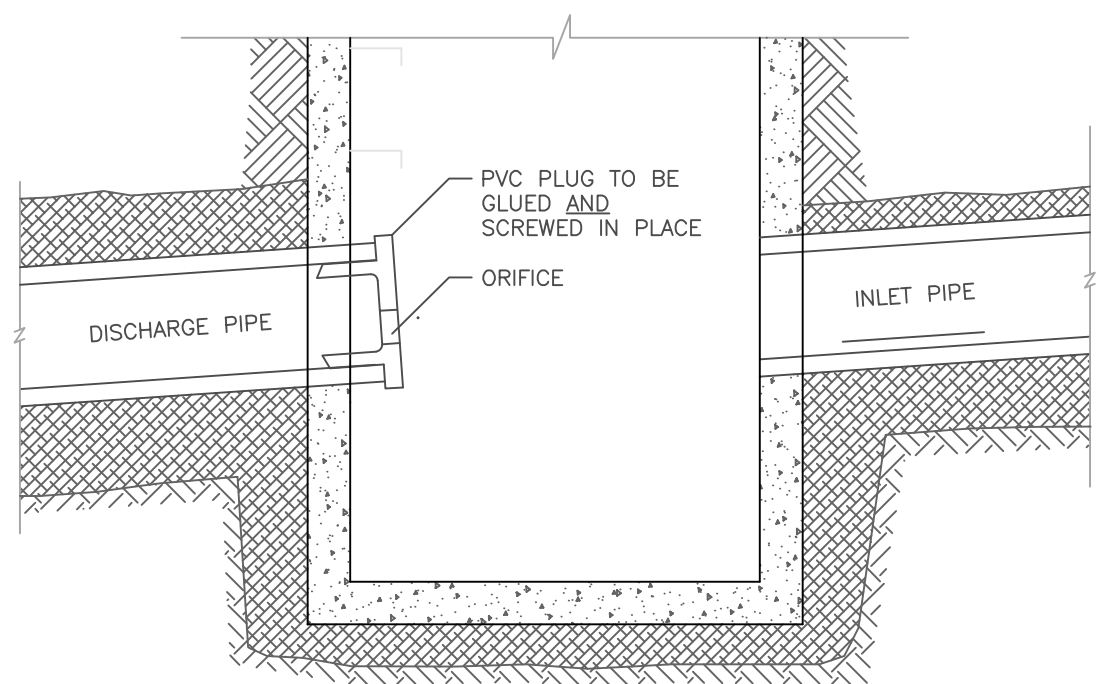


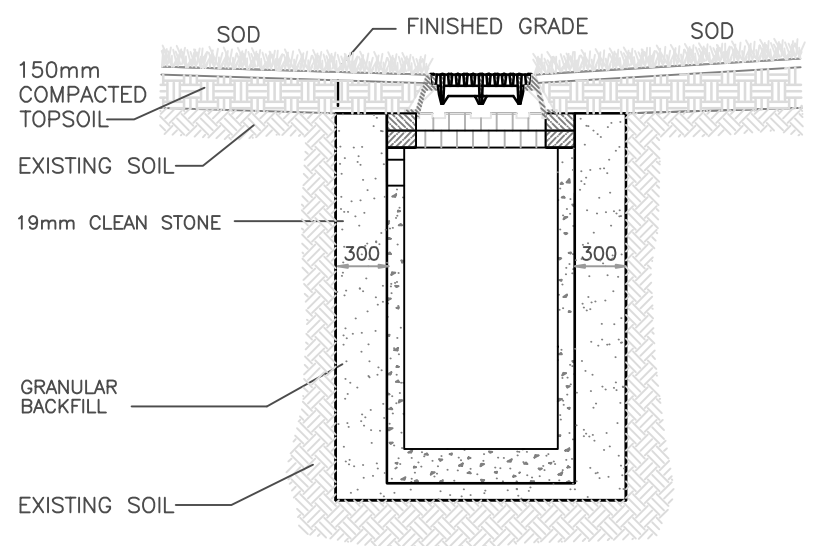
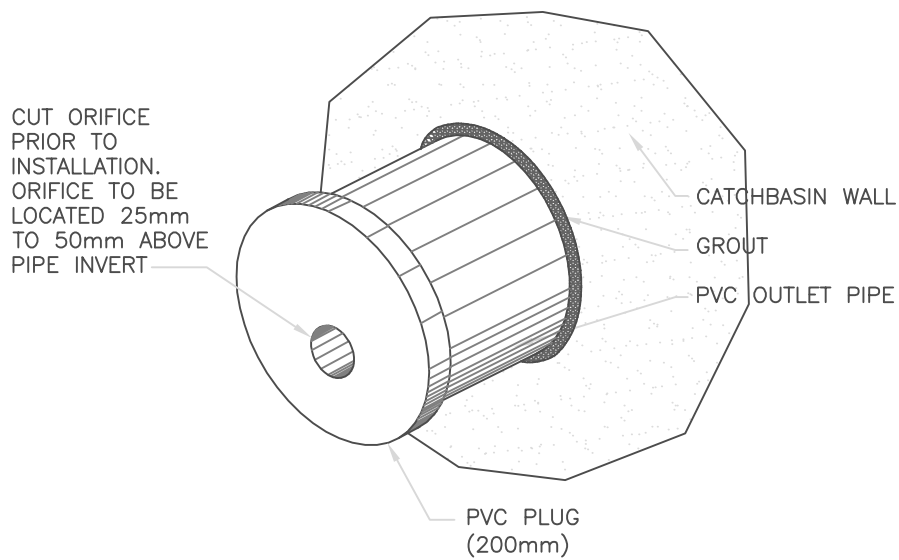
STORM WATER DISCHARGE CRITERIA

1. RUNOFF FLOWS DETERMINED BY THE RATIONAL METHOD, $Q=CIA$
2. RAINFALL INTENSITY (1) = 5 YEAR WINNIPEG DESIGN STORM, $I=47.2/(t+8)^{.828}$
3. RAINFALL INTENSITY (1) = 25 YEAR WINNIPEG DESIGN STORM, $I=72.5/(t+8)^{.842}$
4. TIME OF CONCENTRATION = 10 MINUTES, AREA 3.75 ACRES.
'C' ALLOWABLE = 0.15, 'Q' ALLOWABLE = 5 YEAR. - 2.41 cfs
5. 'Q' (5 YEAR) - POST DEVELOPMENT = 3.54 cfs
- WITH FLOW RESTRICTOR = 2.30 cfs
6. 'Q' (25 YEAR) - POST DEVELOPMENT = 5.38 cfs
- WITH FLOW RESTRICTOR = 2.36 cfs
- REQUIRED ON SITE STORAGE = 8566 cu.ft.
- AVAILABLE ON SITE STORAGE = 13082 cu.ft.
7. FLOW CONTROLLED THROUGH USE OF ORIFICES AS SHOWN IN ORIFICE DETAIL.

————— 5 YEAR PONDING
 ————— 25 YEAR PONDING



SECTION
SCALE N.T.S.



PROFILE
SCALE N.T.S.

ORIFICE LOCATION :

INSTALL 140mm ORIFICE CB #1
 NOTE: PVC PLUGS MUST NOT BE REMOVED AFTER INSTALLATION

4 CATCH BASIN DETAIL
 L 6 SCALE: NTS

LOCATION OF UNDERGROUND STRUCTURES AS SHOWN ARE BASED ON THE BEST INFORMATION AVAILABLE BUT NO GUARANTEE IS GIVEN THAT ALL EXISTING UTILITIES ARE SHOWN OR THAT THE GIVEN LOCATIONS ARE EXACT. CONFIRMATION OF EXISTENCE AND EXACT LOCATION OF ALL SERVICES MUST BE OBTAINED FROM THE INDIVIDUAL UTILITIES BEFORE PROCEEDING WITH CONSTRUCTION.

DESIGNED BY	CN	CHECKED BY	CN	APPROVED BY	CN
DRAWN BY	TM	RELEASED FOR CONSTRUCTION			
HORIZ. SCALE	NTS				
VERT. SCALE					
DATE	JULY 20 /10	MANAGER,	PLANNING AND LAND USE DIVISION	DATE	

DRAWING TITLE	CAD DRAWING NO.
GRANT PARK ATHLETIC FIELD DEVELOPMENT- DETAILS	
DRAWING NO.	L6