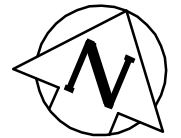
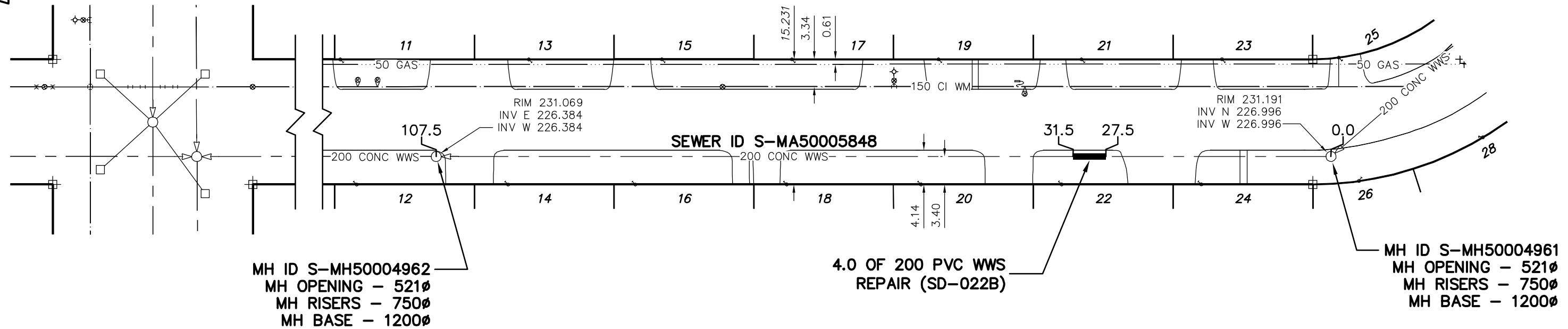


DRAKE BLVD



BARBERRY ROAD (S LEG)



SEWER JUNCTION INFORMATION FROM SEWER VIDEO INSPECTION SEWER ID S-MA50005848
DISTANCE FROM MH ID S-MH50004961
NO JUNCTIONS WITHIN REPAIR

ENGINEER'S SEAL

ORIGINAL SIGNED
BY
S.R.J.
COURNOYER
10/08/16

BID OPPORTUNITY: 572-2010
FILENAME : 9382.dwg
PLOT DATE : 2010 08 16

LEGEND:

52.0 | MEASUREMENT TO REPAIR FROM REFERENCE MH SHOWN THUS... 0.0

METRIC
WHOLE NUMBERS INDICATE MILLIMETRES
DECIMALIZED NUMBERS INDICATE METRES

B.M. ELEV.	FIELD BOOK #:	<i>CITY OF WINNIPEG WATER AND WASTE ENGINEERING DIVISION</i>		THE CITY OF WINNIPEG WATER AND WASTE DEPARTMENT	2010 SEWER RENEWALS AND REPAIRS CONTRACT 20 BARBERRY ROAD (S LEG) 2ND MH E OF DRAKE BOULEVARD TO 1ST MH E OF DRAKE BOULEVARD	SHEET 1 OF 20 CITY DRAWING NUMBER 9382
POSTED TO LBIS		DESIGNED BY: SC	CHECKED BY: SC			
		DRAWN BY: CJH	APPROVED BY: KZ			
		HOR. SCALE: 1:500	RELEASED FOR CONSTRUCTION			
		VERTICAL				
NO.	REVISIONS	DATE	BY	DATE	2010 08 16	DATE