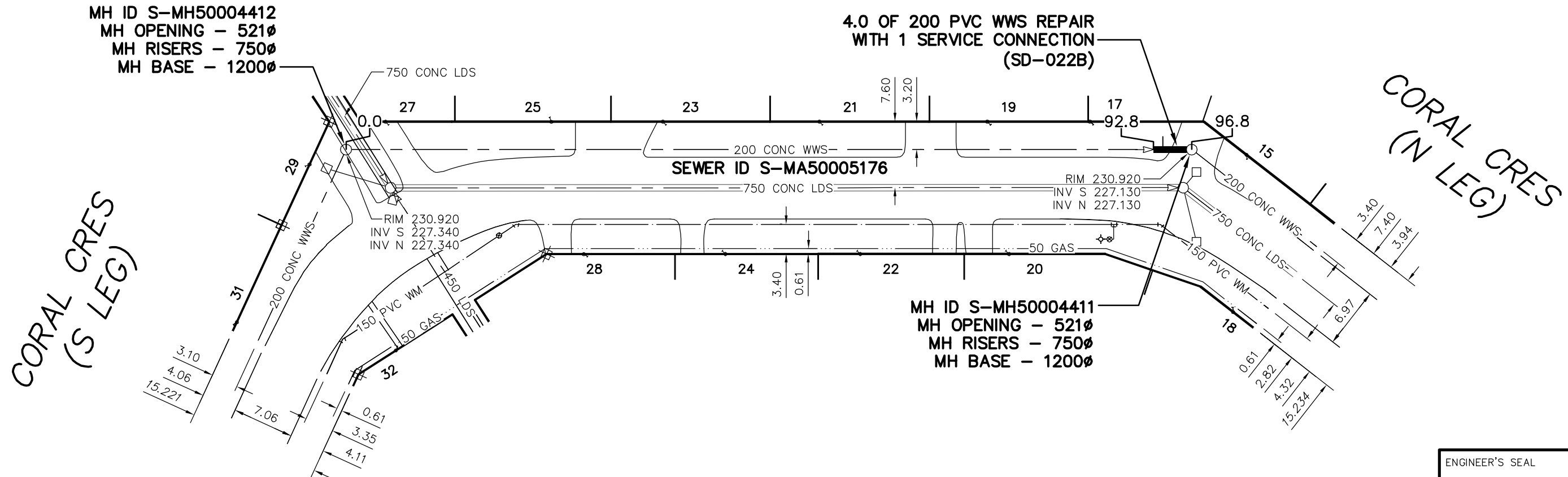


# CORAL CRESCENT (W LEG)



MH ID S-MH50004412  
 MH OPENING - 521Ø  
 MH RISERS - 750Ø  
 MH BASE - 1200Ø

4.0 OF 200 PVC WWS REPAIR  
 WITH 1 SERVICE CONNECTION  
 (SD-022B)

SEWER ID S-MA50005176

MH ID S-MH50004411  
 MH OPENING - 521Ø  
 MH RISERS - 750Ø  
 MH BASE - 1200Ø

CORAL CRES  
 (S LEG)

CORAL CRES  
 (N LEG)

SEWER JUNCTION INFORMATION FROM SEWER VIDEO INSPECTION SEWER ID S-MA50005176			
DISTANCE FROM MH ID S-MH50004412			
93.9	N	150Ø	WEST CX

ENGINEER'S SEAL

ORIGINAL SIGNED  
 BY  
 S.R.J.  
 COURNOYER  
 10/08/16

BID OPPORTUNITY: 572-2010  
 FILENAME : 9388.dwg  
 PLOT DATE : 2010 08 16

LEGEND:  
 52.0 | MEASUREMENT TO REPAIR FROM REFERENCE MH SHOWN THUS...

**METRIC**  
 WHOLE NUMBERS INDICATE MILLIMETRES  
 DECIMALIZED NUMBERS INDICATE METRES

B.M. ELEV.	FIELD BOOK #:	<i>CITY OF WINNIPEG WATER AND WASTE ENGINEERING DIVISION</i>		<b>THE CITY OF WINNIPEG WATER AND WASTE DEPARTMENT</b>	
POSTED TO LIS		DESIGNED BY: SC	CHECKED BY: SC	2010 SEWER RENEWALS AND REPAIRS CONTRACT 20	
		DRAWN BY: CJH	APPROVED BY: KZ	<b>CORAL CRESCENT (W LEG)</b>	
		HOR. SCALE: 1:500	RELEASED FOR CONSTRUCTION	MH AT CORAL CRESCENT (S LEG) TO MH AT CORAL CRESCENT (N LEG)	
		VERTICAL		SHEET 7 OF 20	
NO.	REVISIONS	DATE	BY	DATE	CITY DRAWING NUMBER
				2010 08 16	9388