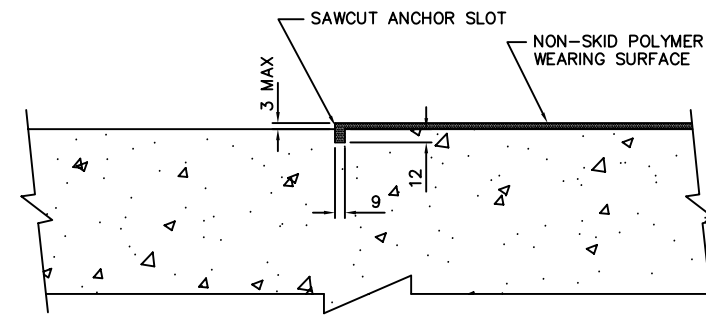


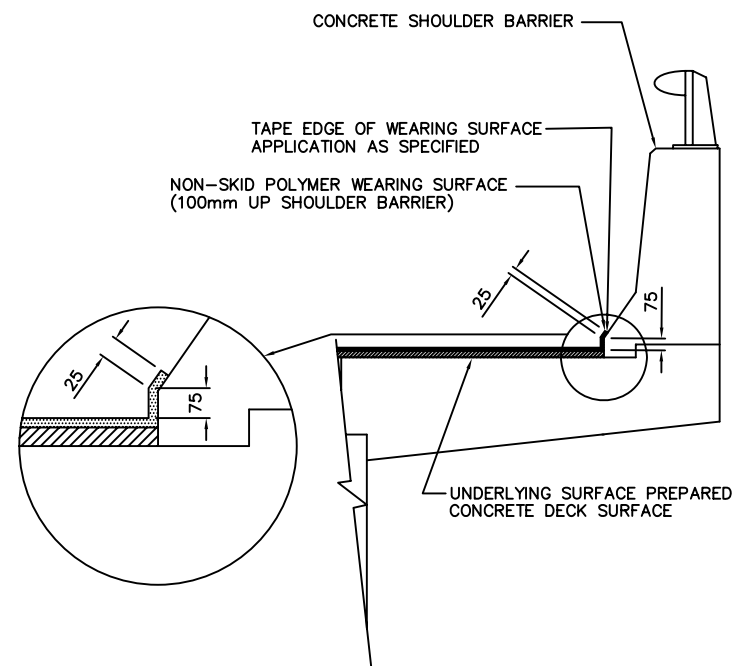
**DECK REPAIR DETAILS**

N.T.S.



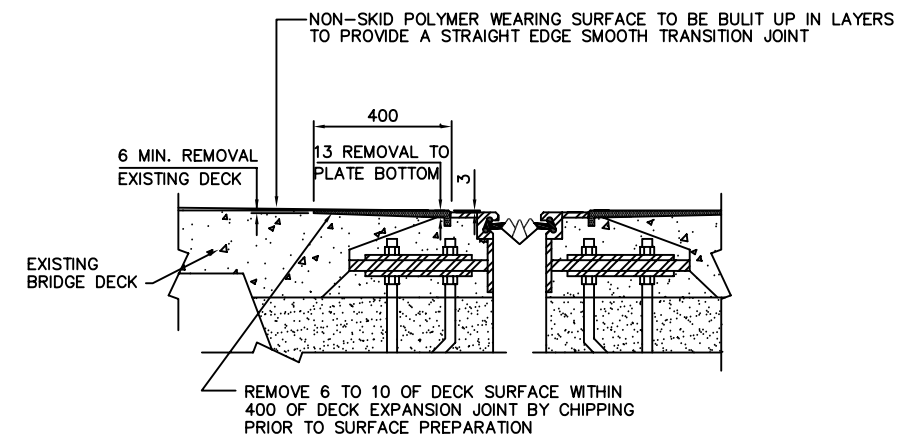
**TYPICAL ANCHOR DETAIL**

N.T.S.



**TRAFFIC BARRIER DETAIL (TYPICAL)**

N.T.S.



**EXPANSION JOINT DETAIL (TYPICAL)**

N.T.S.

**METRIC**  
WHOLE NUMBERS INDICATE MILLIMETRES  
DECIMALIZED NUMBERS INDICATE METRES

NOTE:	B.M. ELEV.	DESIGNED BY: B.A.N.		<b>CITY OF WINNIPEG</b> PUBLIC WORKS DEPARTMENT ENGINEERING DIVISION	MISCELLANEOUS DECK SEALING & CONCRETE REPAIRS	SHEET 1 OF 1		
		DRAWN BY: M.R.T.				HORIZONTAL: N.T.S.		
		CHECKED BY: B.A.N.			APPROVED BY: B.A.N.	VERTICAL: N.T.S.		
		AUTHORIZED BY:			ORIGINAL SIGNED BY B.A. NEIRINCK	CITY DRAWING NUMBER:		
		ISSUED FOR TENDER 20/07/10 MRT			B.A. NEIRINCK BRIDGE PLANNING & OPERATIONS ENGINEER	580-2010	WEARING SURFACE DETAILS (TYPICAL)	BXXX-10-01
		NO. REVISION DATE BY						