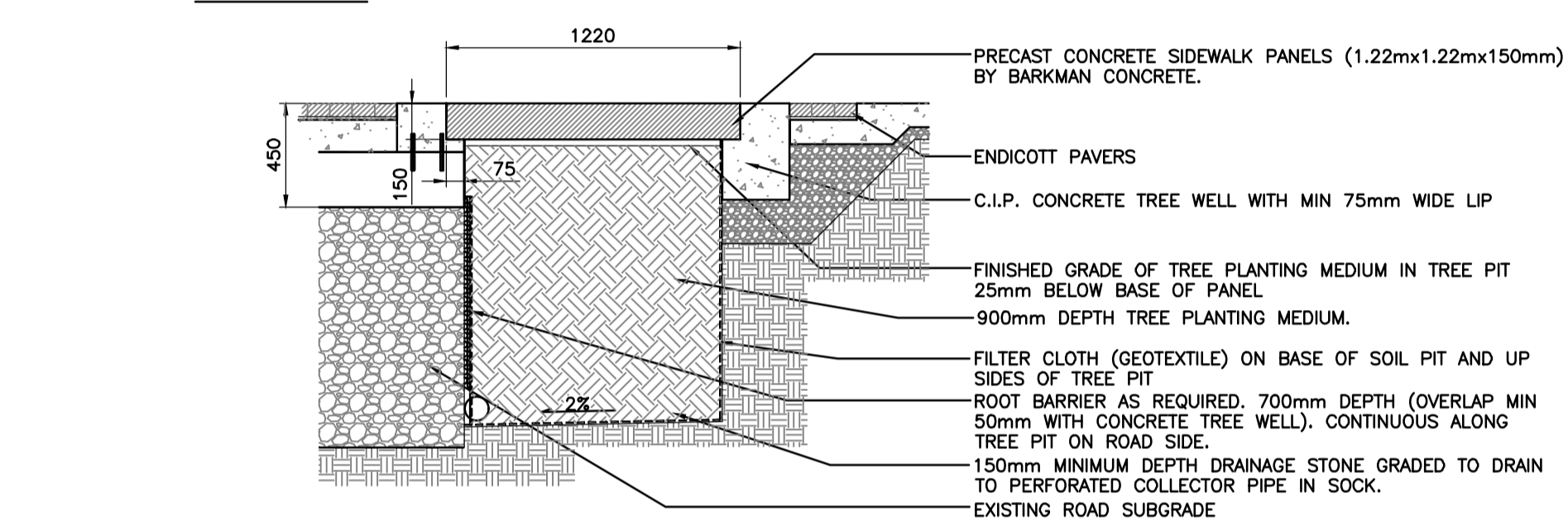
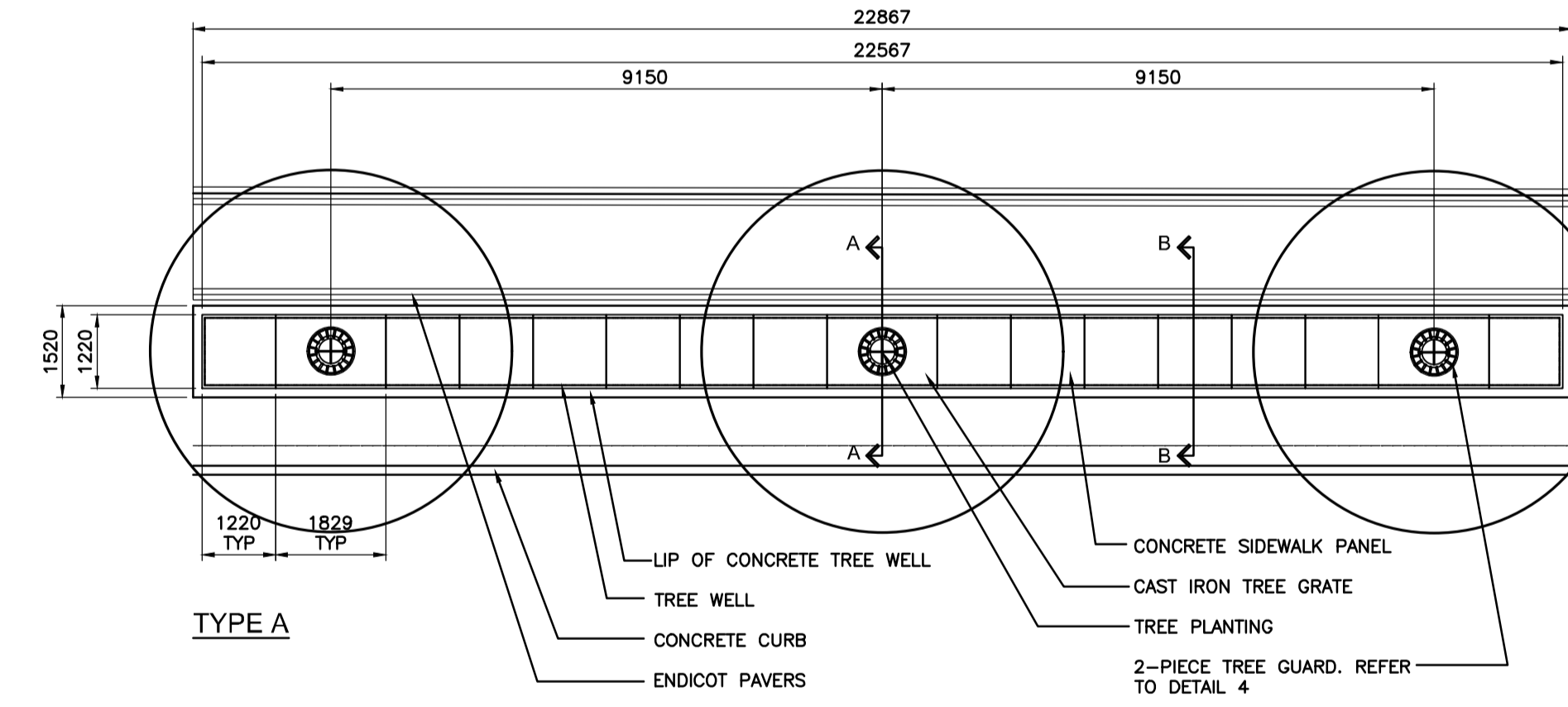


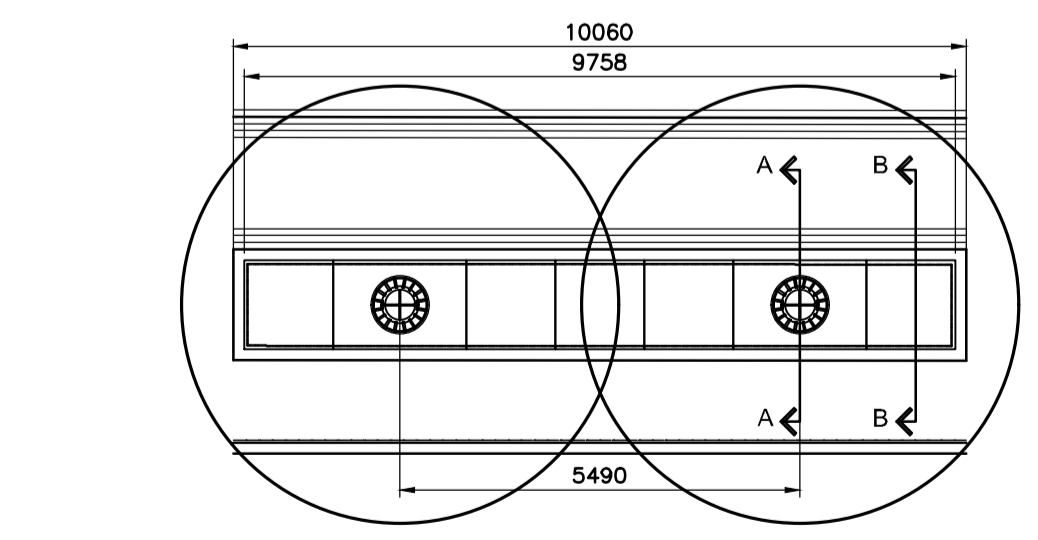
SECTION A-A



SECTION B-B

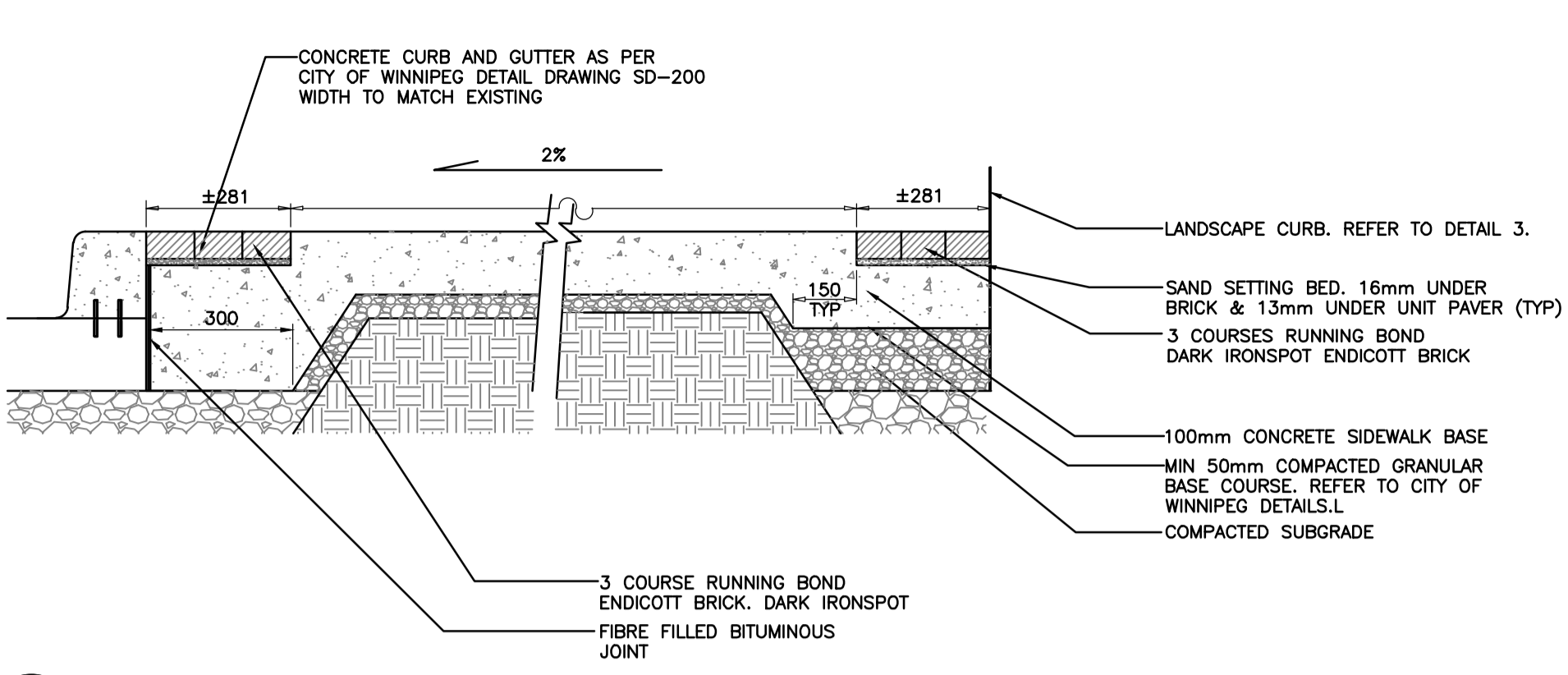


TYPE A

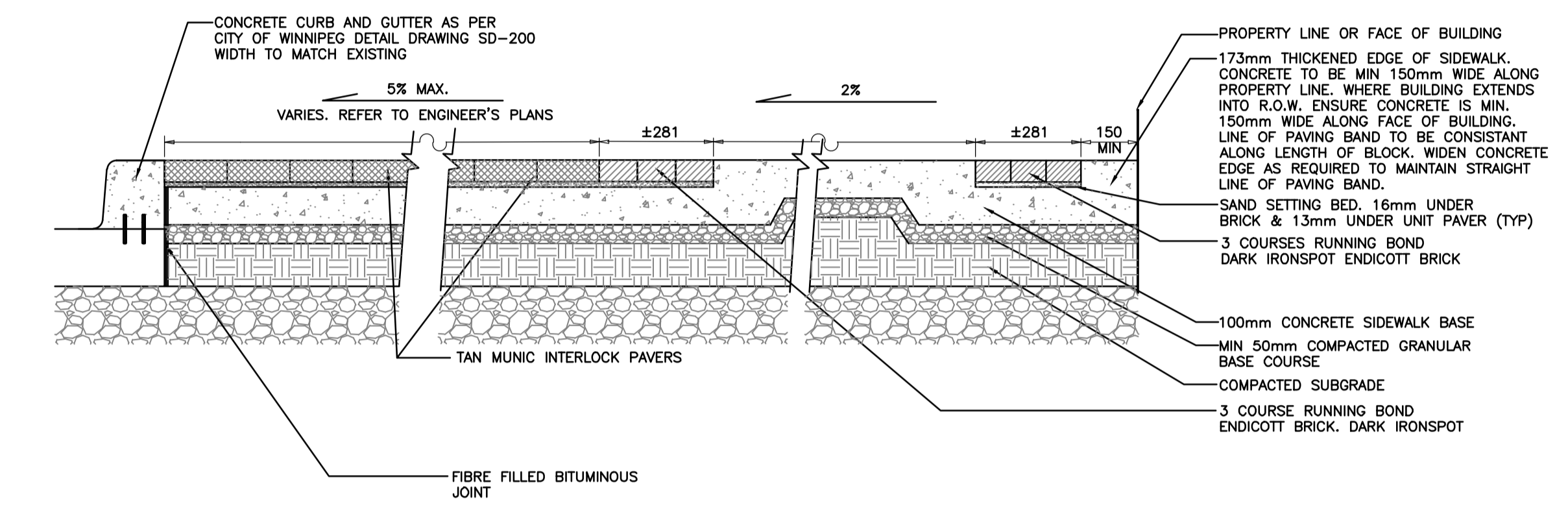


TYPE B

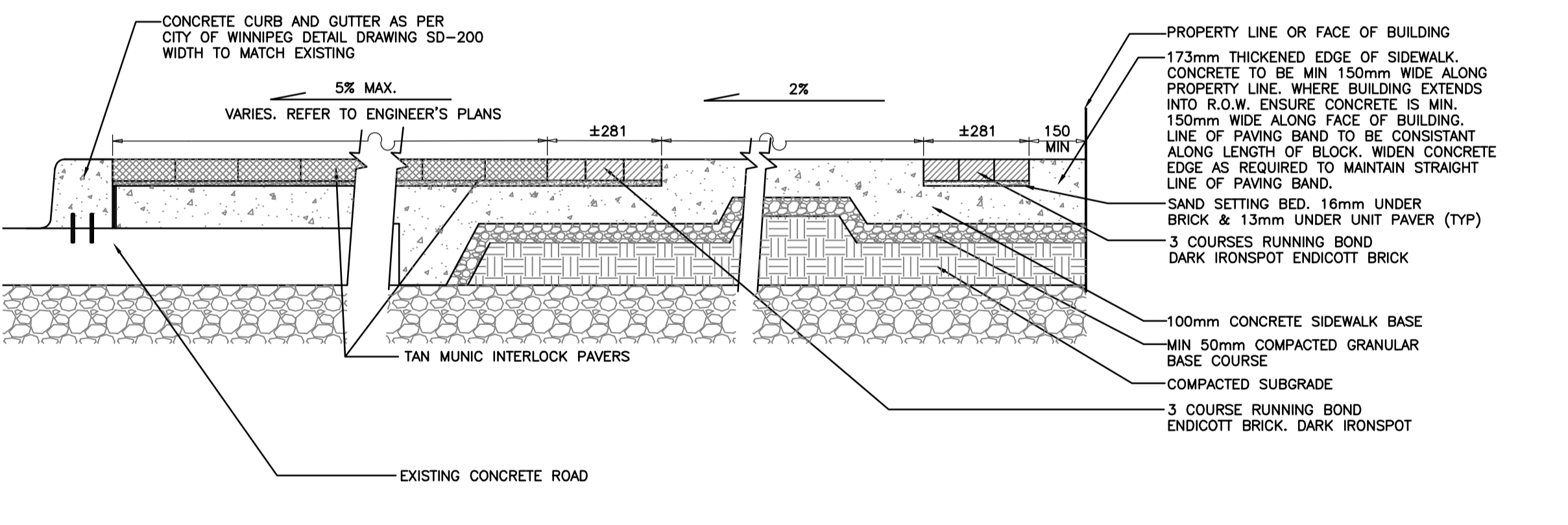
1 TREE VAULTS
3 5 NTS



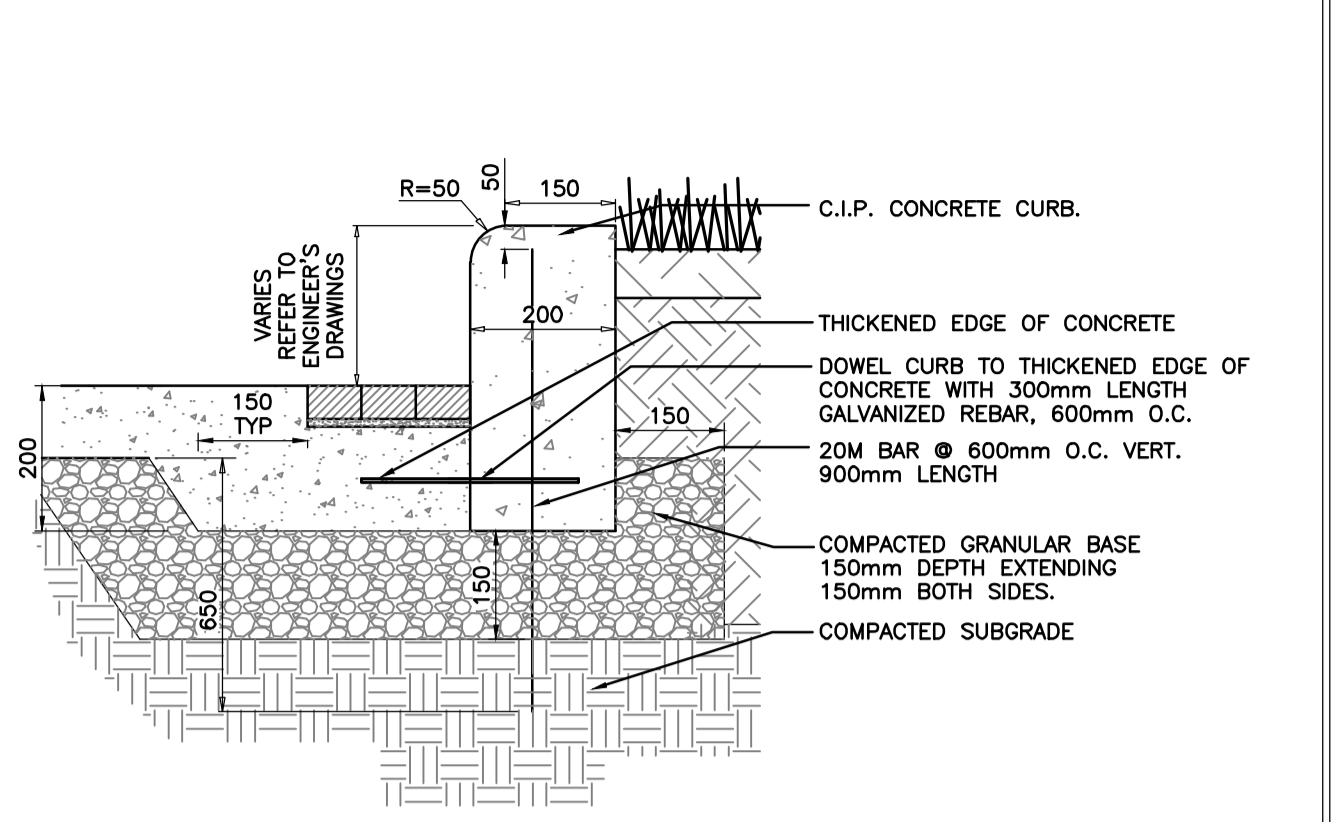
2 CONCRETE SIDEWALK W/ BRICK UNIT PAVER INSERT
3 5 BACKLANE TO SHIP STREET



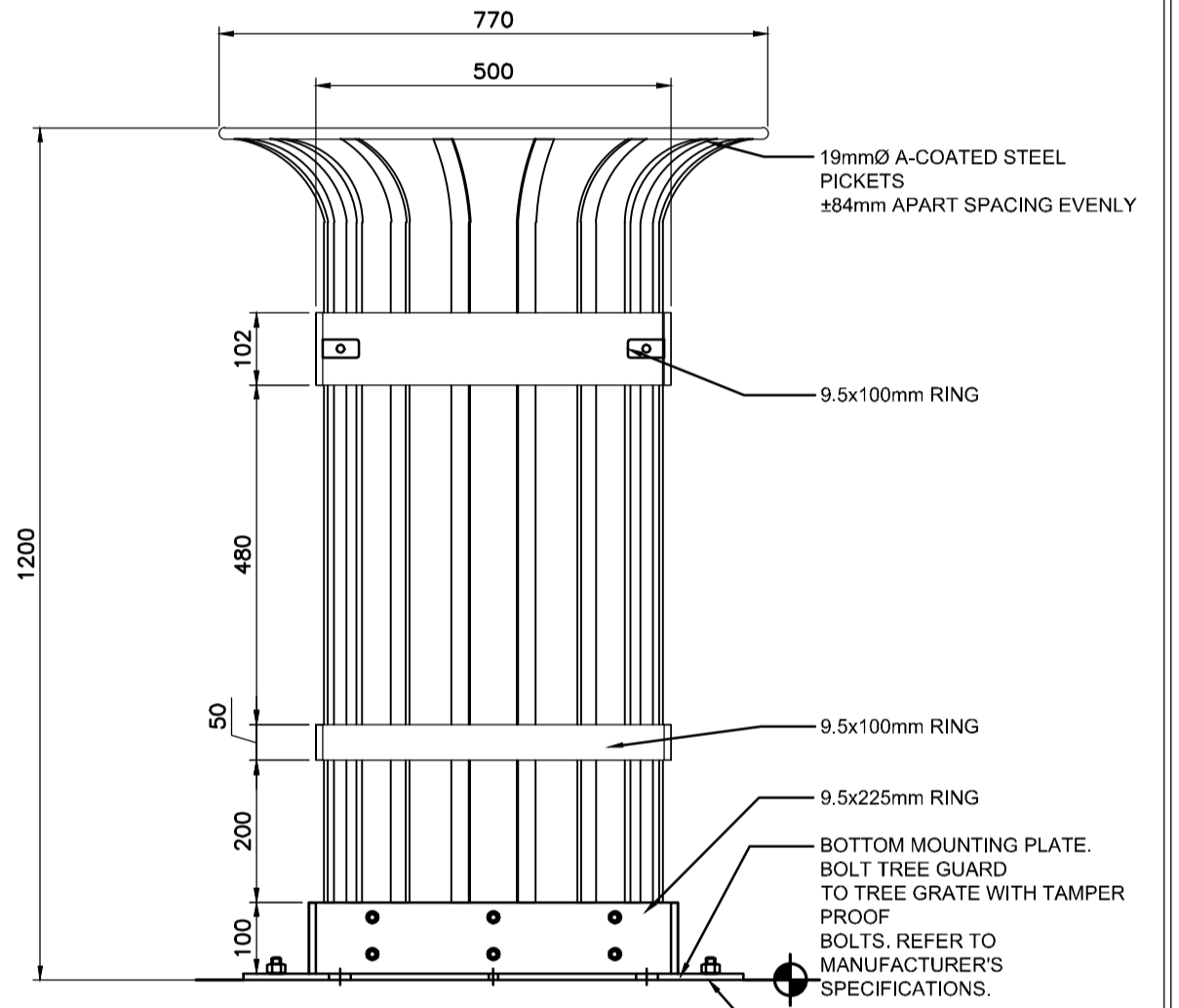
3 CONCRETE SIDEWALK W/ BRICK UNIT PAVER INSERT
3 5 ISLAND



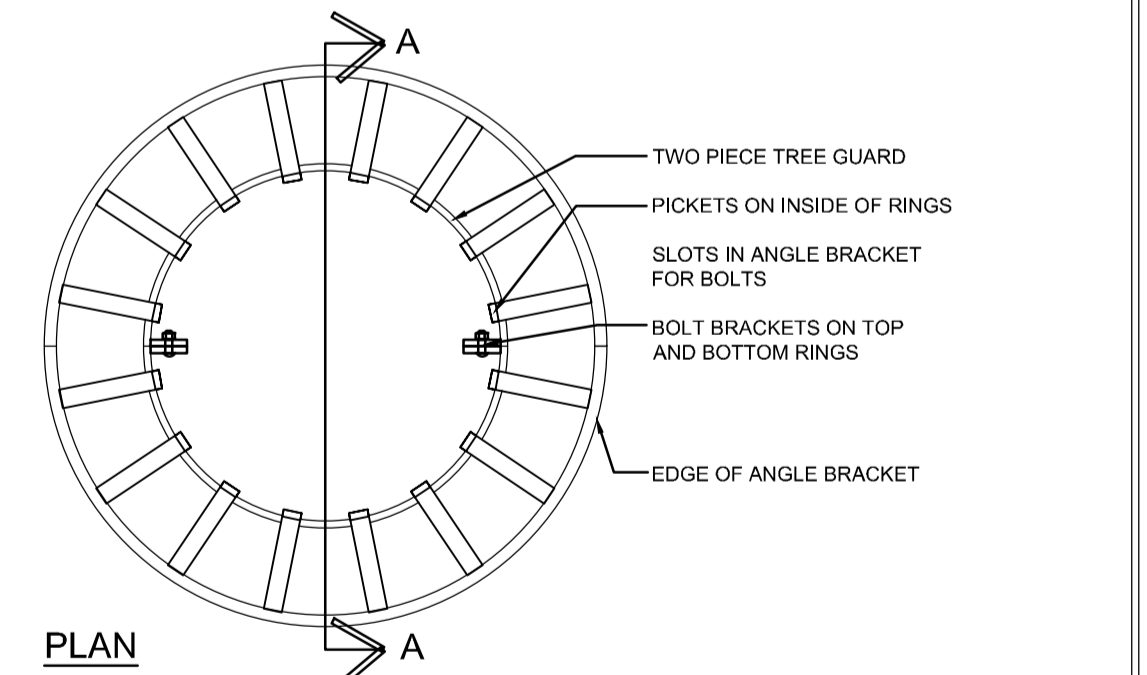
4 CONCRETE SIDEWALK W/ BRICK UNIT PAVER INSERT
3 5 RORIE ST TO BACKLANE



5 LANDSCAPE CURB
3 5 NTS



SECTION A-A



PLAN

FINISHES:
ALL METAL TO BE Sanded, A COATED, PRIMED AND POWDER PAINTED BLACK.
TOP RING TO BE OVER PAINTED WITH KYRILON REFLECT-A-LITE.

6 METAL TREE GUARD
3 5 NTS

METRIC
WHOLE NUMBERS INDICATE MILLIMETRES
DECIMALIZED NUMBERS INDICATE METRES

LOCATION APPROVED UNDERGROUND STRUCTURES		B.M. ELEV.		Stantec Consulting Ltd. 905 Waverley Street, Winnipeg, Manitoba Tel 204-489-5900 Fax 204-453-9012	
SUPV. U/G STRUCTURES COMMITTEE	DATE				
NOTE: LOCATION OF UNDERGROUND STRUCTURES AS SHOWN ARE BASED ON THE BEST INFORMATION AVAILABLE BUT NO GUARANTEE IS GIVEN THAT ALL EXISTING UTILITIES ARE SHOWN OR THAT THE GIVEN LOCATIONS ARE EXACT. CONFIRMATION OF EXISTENCE AND EXACT LOCATION OF ALL SERVICES MUST BE OBTAINED FROM THE INDIVIDUAL UTILITIES BEFORE PROCEEDING WITH CONSTRUCTION.				DESIGNED BY: JW	CHECKED BY: SR
				DRAWN BY: MD	APPROVED BY: SR
				HOR. SCALE: N/A	RELEASED FOR CONSTRUCTION: DATE
				VERTICAL: N/A	DATE: 10.07.19
0 ISSUE FOR TENDER 10.08.19 MRG				CONSULTANT DRAWING NO.	
NO. REVISIONS				DATE	

THE CITY OF WINNIPEG
PUBLIC WORKS DEPARTMENT
ENGINEERING DIVISION

BANNATYNE / MCDERMOT
RORIE STREET TO WATERFRONT DRIVE
DETAILS
BIKE BOULEVARD

SHEET 5 OF 5
CAD FILE DRAWING NUMBER 05400c-202-xxx.dwg
CITY DRAWING NUMBER W-380-05