



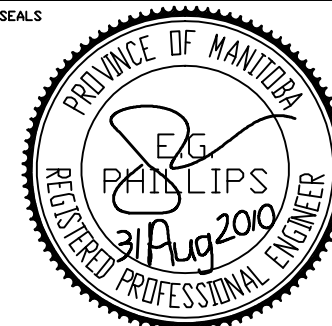
TPR MECHANICAL CONSULTANTS LTD.
101-1005 ST. JAMES STREET W. #110
PH. 982-4000 FAX. 982-4000


Unies Ltd. Consulting Engineer

R 0 ADDENDUM #1 BP/RP 31 AUG 2010

NO.	REVISION/DESCRIPTION	BY	DATE

SEALS





Certificate of Authorization

Unies Ltd.

No. 186 Expiry: April 30, 2011

DRAWN BY NNLP | CHECKED BY BP/RP | APPROVED BP/RP
DATE 31 AUG 2010 | USER APPROVAL

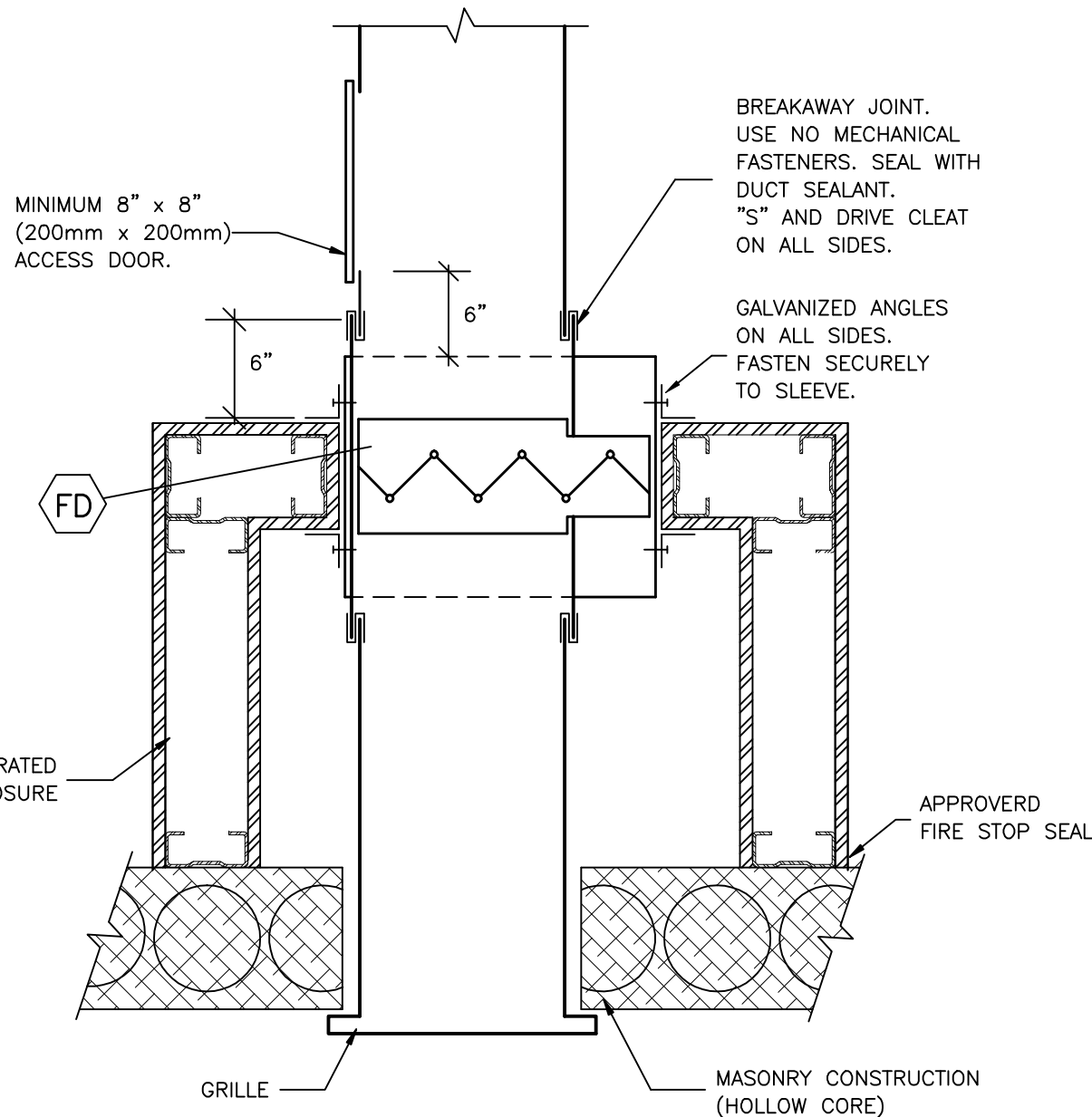


THE CITY OF WINNIPEG
CIVIC BUILDINGS DEPARTMENT
4TH FLR.-185 KING ST. R3B 1J1

PROJECT
BID OPPORTUNITY 596-2010
Upgrade Air Conditioning
System- Exercise Room
909 CONCORDIA AVENUE
Winnipeg, MB.

SHEET TITLE
DETAIL

SCALE	PROJECT NO	SHEET NO
AS NOTED	596-2010	SK-1



FIRE DAMPER DETAIL

N.T.S.
NOTE: EXTENT OF RATED ENCLOSURE VARIES AT EACH INDIVIDUAL FIRE DAMPER.