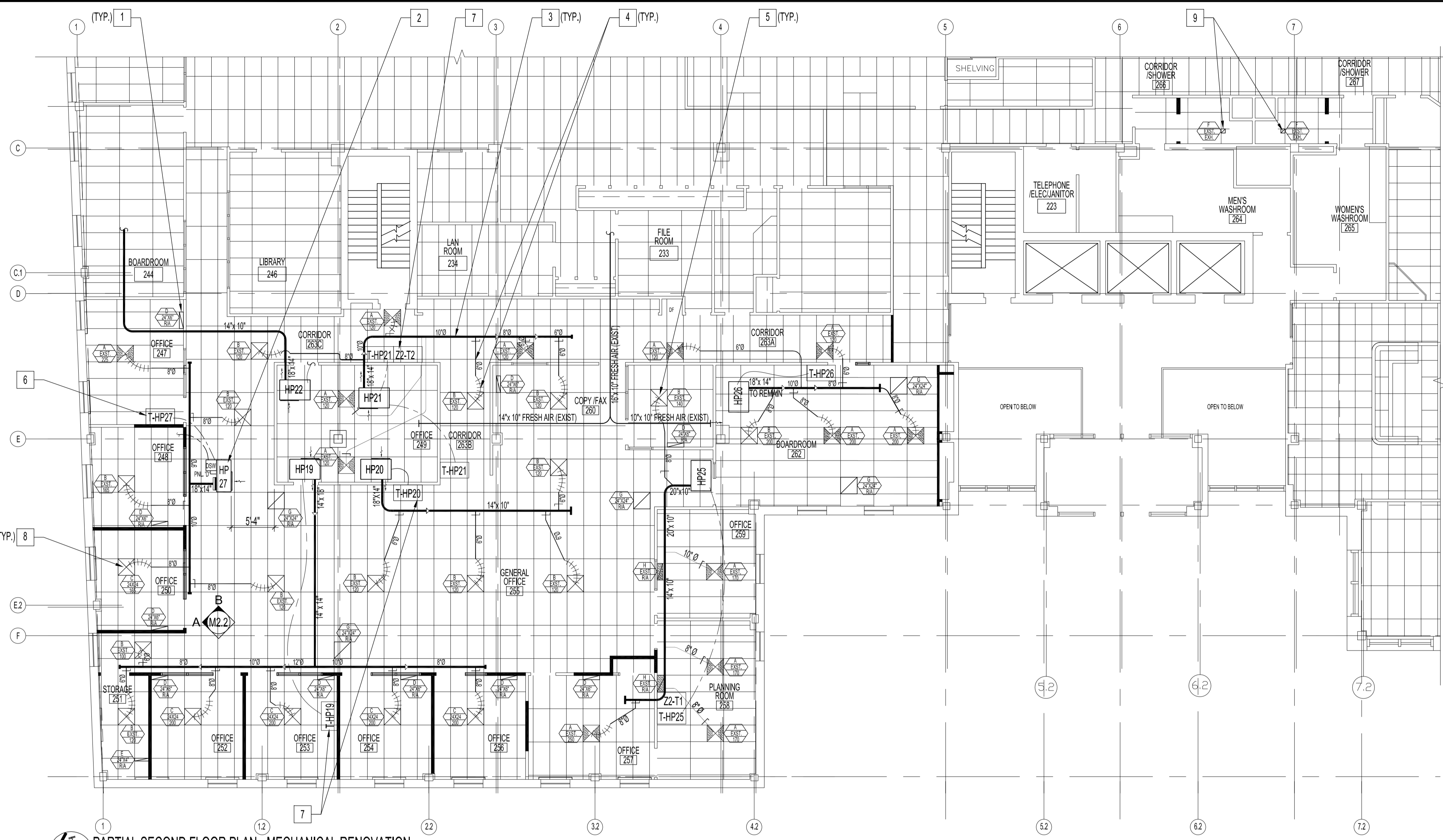
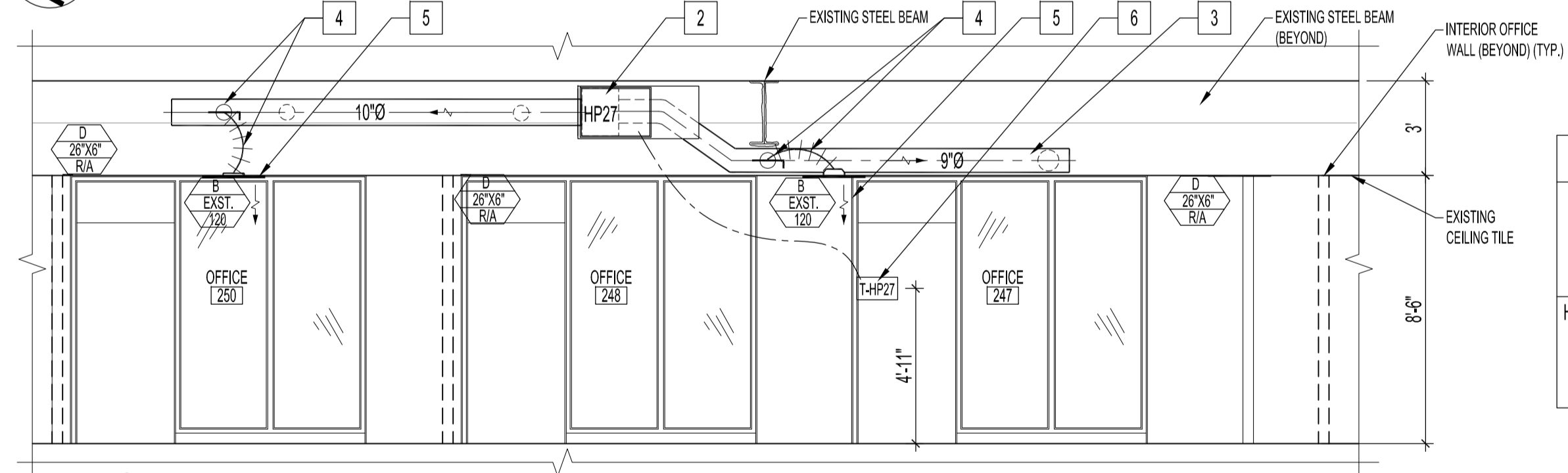


NOTES :
ALSO SEE MECHANICAL NOTES

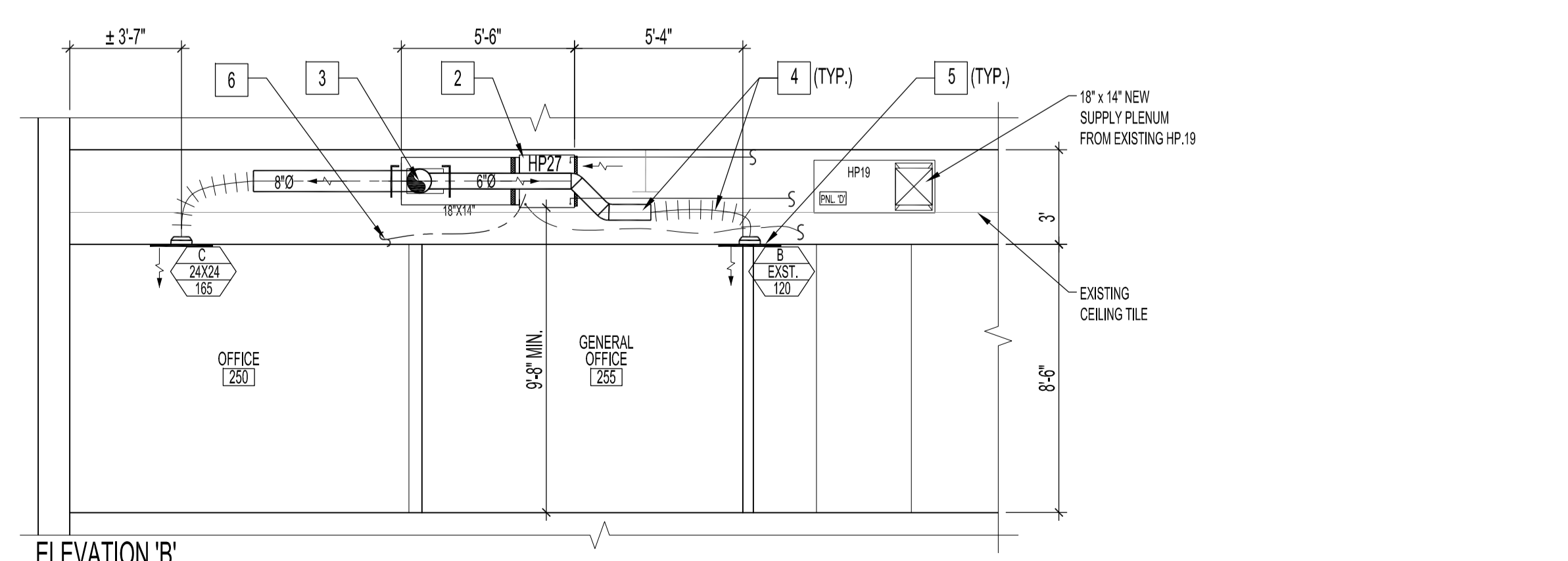


- MECHANICAL RENOVATION NOTES:**
ALSO SEE DIFFUSER & GRILLE SCHEDULE
ALSO SEE MECHANICAL & ELECTRICAL DWG
- NEW RETURN AIR GRILLE.
 - NEW HEAT PUMP, DUCTWORK, CONTROL WIRING & THERMOSTAT. INSTALL FULLY FUNCTIONAL HEAT PUMP (HP27) COMPLETE WITH SUPPLY WATER CONNECTIONS, SHUT-OFF VALVES, CONDENSATE & DRAIN LINES. CONNECT NEW TO EXISTING LOOP LOCATED IN OFFICE # 249. SUPPLY AND INSTALL NEW THERMOSTAT IN OFFICE # 247. ALSO SEE MECHANICAL RENOVATION NOTE 6. SUPPLY & INSTALL POWER & DISCONNECT SWITCH FOR NEW HEAT PUMP. SEE ELECTRICAL DWG. NEW HEAT PUMP TO BE SUPPLIED & DELIVERED ON SITE BY CITY OF WINNIPEG.
 - NEW ROUND SUPPLY PLENUM, CONNECTED TO MODIFIED RECTANGLE PLENUM. SUPPLY & INSTALL DUCT TRANSITION TO SUIT.
 - NEW HARD DUCT BRANCHES & FLEX DUCT CONNECTED TO NEW & EXISTING 24" X 24" DIFFUSERS COMPLETE WITH BALANCE DAMPERS.
 - NEW OR RELOCATED 24" X 24" SUPPLY DIFFUSERS. SUPPLY & INSTALL DUCT REDUCER TO SUIT NEW FLEX DUCT.
 - SUPPLY & INSTALL NEW (OFFICE # 247) THERMOSTAT & CONTROL WIRING TO NEW HEAT PUMP, HP27. MOUNT NEW THERMOSTAT 59" FROM FINISHED FLOOR. HONEYWELL, MODEL # TB82220J, COMMERCIAL VISIONPRO, PROGRAMMABLE THERMOSTAT.
 - NEW HEAT PUMP (HP19, 20 & 21) THERMOSTAT LOCATIONS. SUPPLY & INSTALL NEW OR EXISTING CONTROL WIRING TO EXISTING HEAT PUMPS. MOUNT CONTROLS 59" FROM FINISHED FLOOR.
 - NEW 24" X 24" SUPPLY DIFFUSER CONNECTED TO NEW BRANCH DUCTWORK. INLET TO SUIT NEW FLEX DUCT.
 - NEW 6"X6" EXHAUST CEILING GRILLE LOCATIONS & MODIFIED DUCTWORK.

PARTIAL SECOND FLOOR PLAN - MECHANICAL RENOVATION
SCALE: 1/8"=1'-0"



ELEVATION 'A'
SCALE: 1/4"=1'-0"



ELEVATION 'B'
SCALE: 1/4"=1'-0"

HEAT PUMP SCHEDULE									
NO.	MAKE / MODEL NO.	PART NO.	SIZE	AIR FLOW CFM	FAN MOTOR HP	ELECT. VOLTS	COOLING BTUH	AREA / OFFICE SUPPLIED	COMMENTS
HP27	MCQUAY W.CRH. 1.030.M.E.Y.L.S.01.YY.A.C.Y.YY.YYY.YYY.Y.Y.Y.Y.Y.C.1.Y.1.	E965567060	2 1/2 TON		3	208 / 230 VOLTS, 1φ		OFFICE 247, OFFICE 248, OFFICE 250 & GENERAL OFFICE 255	HEAT PUMP ON SITE. UNIT FACTORY CHARGED WITH R22 REFRIGERANT. INSTALL AS PER MANUFACTURES INSTALLATION MANUAL / INSTRUCTIONS & APPLICABLE CODES.

DIFFUSER & GRILLE SCHEDULE			
TYPE	QTY.	DESCRIPTION, MODEL NO.	MANUFACTURER
A	13	SQUARE DIFFUSER, 24" X 24", ADJUST AIR FLOWS AS SHOWN.	EXISTING TO REMAIN
B	14	RE-INSTALL EXISTING SQUARE DIFFUSER, 24" X 24". ADJUST AIR FLOWS AS SHOWN.	RE-INSTALL EXISTING
C	5	SQUARE DIFFUSER, 24" X 24" MODEL SPD / 31 / B12, 8" INLET	PRICE
D	9	EGG CRATE RETURN GRILLE, 24" X 6", 81 / TSF / B12	PRICE
E	1	EGG CRATE RETURN GRILLE, 24" X 4", 81 / TSF / B12	PRICE
F	2	EXISTING WASHROOM EXHAUST GRILLES TO BE RELOCATED	RELOCATE EXISTING
G	5	EGG CRATE RETURN GRILLE, 24" X 24", 81 / TSF / B12	PRICE
H	2	EGG CRATE RETURN GRILLE.	EXISTING TO REMAIN

NEW GRILLE SCHEDULE QUANTITIES ARE APPROXIMATE AND SHOWN ABOVE FOR REFERENCE ONLY. CONTRACTOR IS RESPONSIBLE FOR QUANTITY TAKE-OFF FROM DRAWING AND SHALL SUPPLY & INSTALL FLEX DUCT REDUCERS / TRANSITIONS TO SUIT EXISTING.

NO.	REVISION/DESCRIPTION	BY	DATE
1	ORIGINAL STAMPED BY: D.A.PALEY, P.ENG		2009.12.29

DRAWN BY RCP
DATE 2009.12.21
CHECKED BY USER APPROVAL
APPROVED

CITY OF WINNIPEG
PLANNING, PROPERTY AND DEVELOPMENT DEPARTMENT
MUNICIPAL ACCOMMODATIONS DIVISION
300 - 65 GARRY ST. R3C 4K4

PROJECT
MANDARIN BUILDING
WFPS RELOCATION TO SECOND FLOOR

185 KING STREET
SHEET TITLE
PARTIAL SECOND FLOOR PLAN
MECHANICAL RENOVATION
ELEVATION, SCHEDULE

SCALE AS SHOWN
PROJECT NO. 2008-059-03
SHEET NO. M2.2