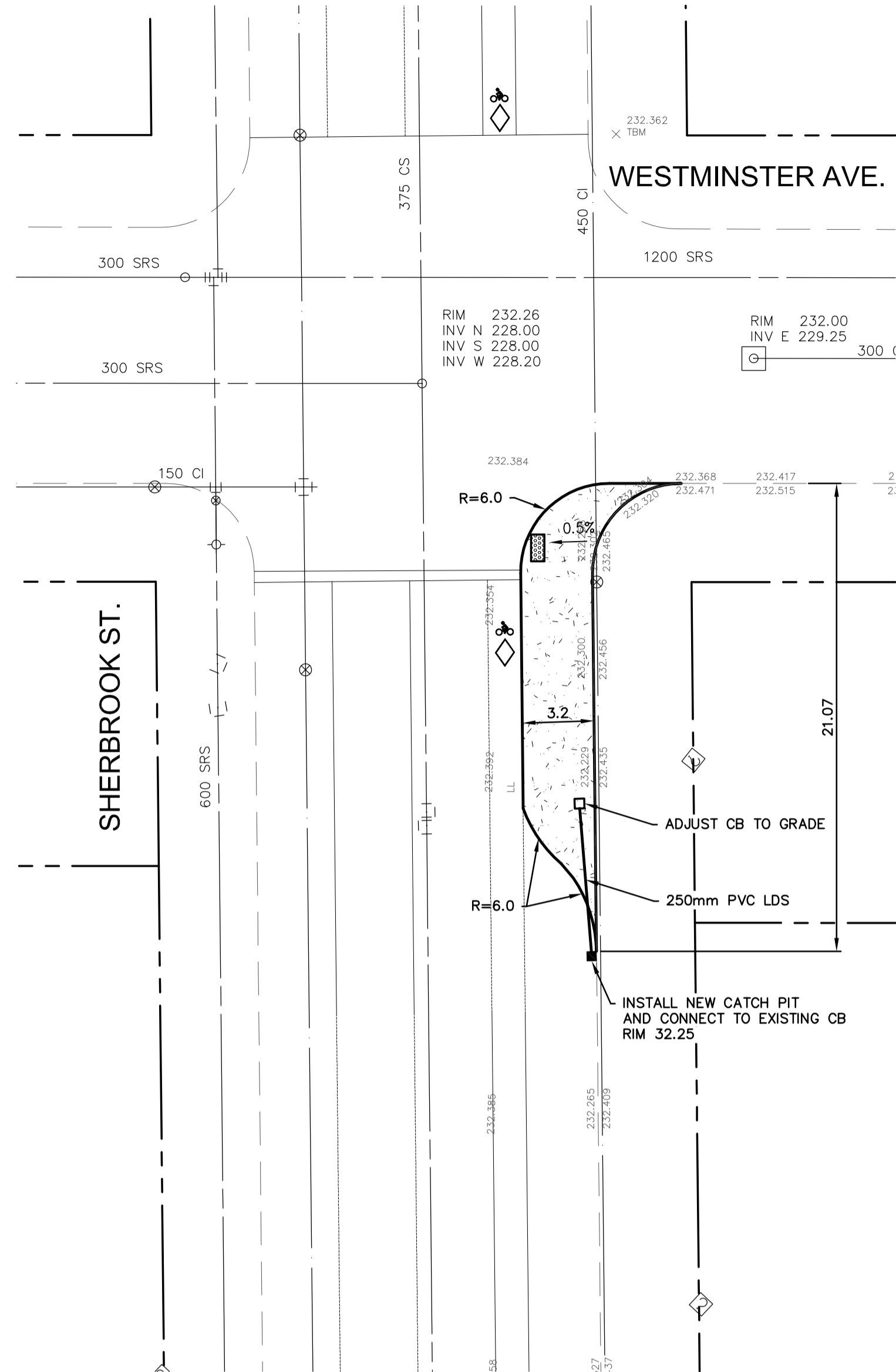
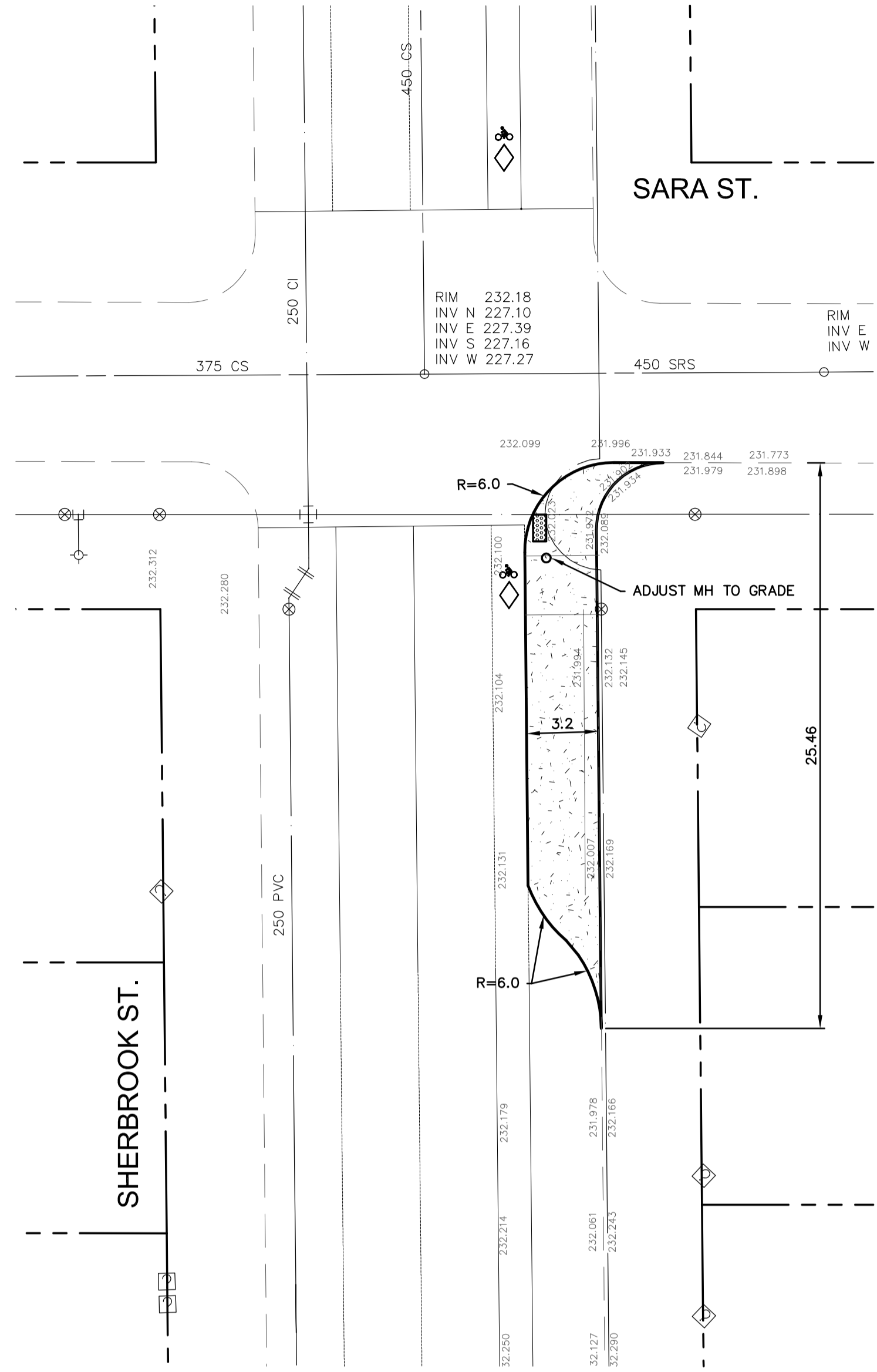


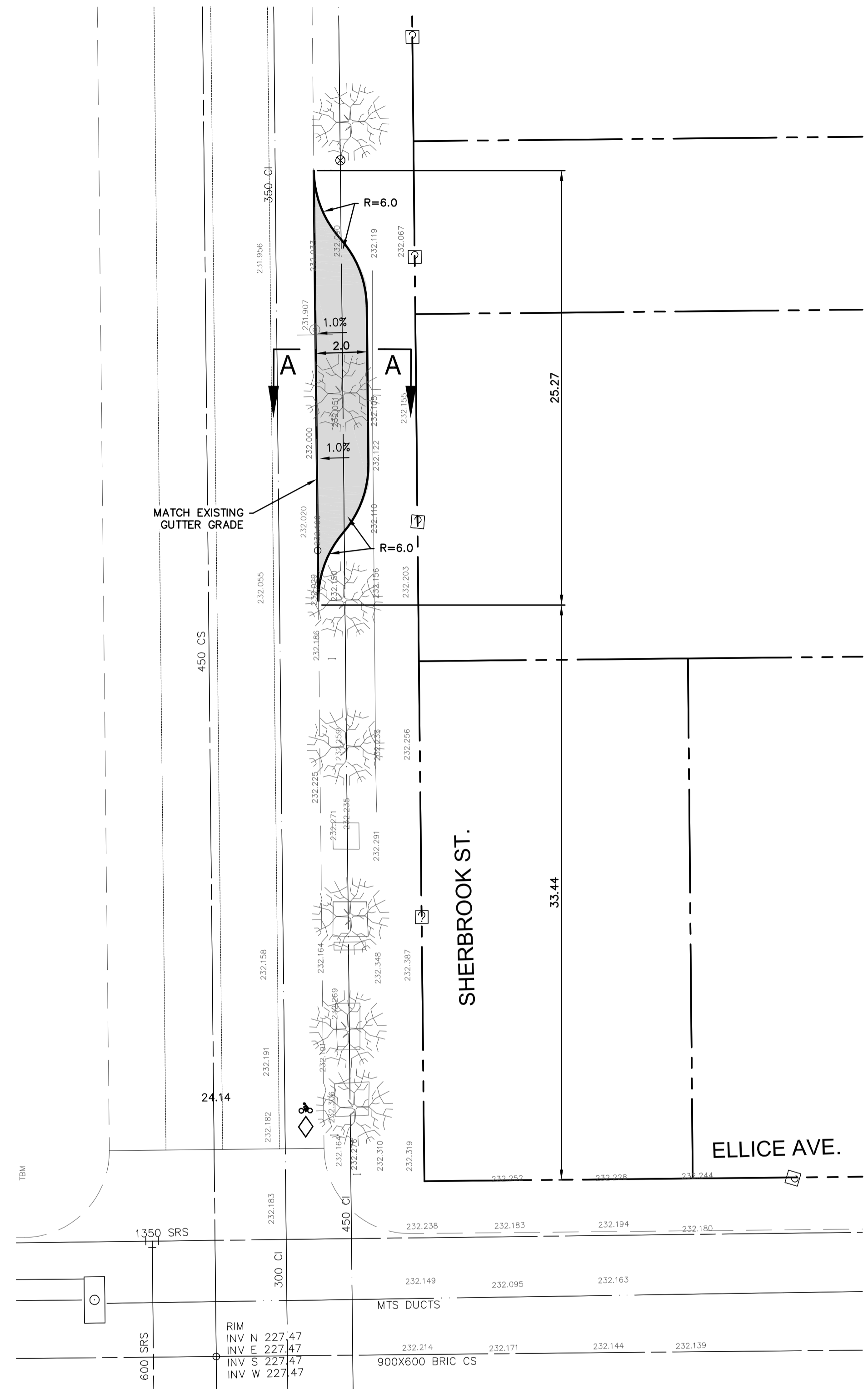
Set: 05_2010_000 - 3.16m
 P:\5509114\000-5509114-000-2010 Active Transportation Infrastructure Stimulus Program\MMM Drawings\St_Matthews_York_Sherbrook\5509114_Sherbrook_C-10-11_01.09.10.dwg - feb-0-10



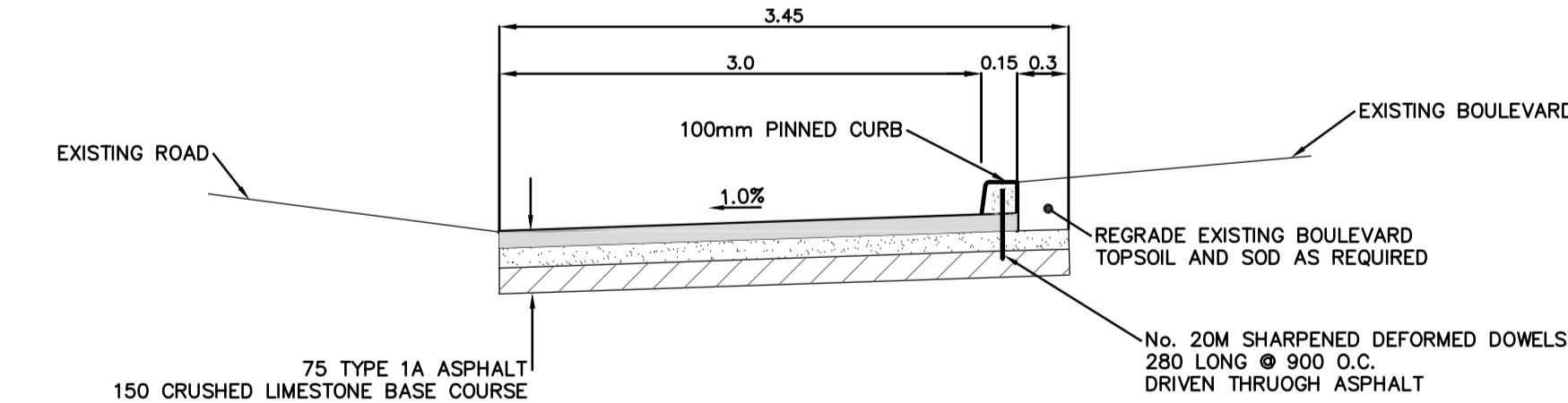
SHERBROOK ST. AT WESTMINSTER AVE.



SHERBROOK ST. AT SARA ST.



SHERBROOK ST AT ELLICE AVE.



SECTION A - A
SCALE N.T.S.

NOTES:

- ALL WORK AND MATERIALS TO BE IN ACCORDANCE WITH THE LATEST REVISIONS OF THE CITY OF WINNIPEG STANDARD CONSTRUCTION SPECIFICATIONS.
- CONTRACTOR TO VERIFY DEPTH OF UTILITIES PRIOR TO CONSTRUCTION.
- LOCATION OF UNDERGROUND STRUCTURES AS SHOWN ARE BASED ON THE BEST INFORMATION AVAILABLE, BUT NO GUARANTEE IS GIVEN THAT ALL EXISTING UTILITIES ARE SHOWN OR THAT THE GIVEN LOCATIONS ARE EXACT. CONFIRMATION OF EXISTENCE AND EXACT LOCATION OF ALL SERVICES MUST BE OBTAINED FROM THE INDIVIDUAL UTILITIES BEFORE PROCEEDING WITH CONSTRUCTION.
- EXCAVATED MATERIAL TO BE USED AS BACKFILL WHERE REQUIRED.
- ALL SURFACES TO BE MAINTAINED OR RESTORED TO PREVIOUS CONDITION OR BETTER.

METRIC
WHOLE NUMBERS INDICATE MILLIMETERS
DECIMALIZED NUMBERS INDICATE METERS

EXISTING	LEGEND-PLAN	PROPOSED	EXISTING	LEGEND-PLAN	PROPOSED	EXISTING	LEGEND-PROFILE	PROPOSED
	ELEVATION	32.50		EXISTING ROAD				
	LOT ELEVATION	32.50		PROPOSED CENTERLINE				
	WATER VALVE			100mm CONC. SIDEWALK				
	MANHOLE			ASPHALT				
	CATCH BASIN			75mm PINNED CURB				
	LDS			DETECTABLE TILES				
	WWS							
	WATER							
	PROPERTY LINE							
	HYDRO POLE							
	HYDRO POLE WITH LIGHT							

LOCATIONS APPROVED
UNDERGROUND STRUCTURES

SIGNED BY: _____ DATE: _____

SUPV. U/G STRUCTURES DATE

G.S.M. 5. SIDE PANDORA AVE. W. & WINDA ST. TBLT ON TOP OF 0.05 m. 30.02m HIGH TUBE.
ELEV. 232.912m

NO.	ISSUED FOR REVIEW	DATE	BY
1	ISSUED FOR TENDER	02.09.10	WJ
2	ISSUED FOR REVIEW	25.08.10	WJ

MMM GROUP

DESIGNED BY: RP
DRAWN BY: MDS
HOR. SCALE 1:200
VERT. SCALE -
DATE: 04.06.10

CHECKED BY: -
APPROVED BY: WTJ
RELEASED FOR CONSTRUCTION -
DATE: -

ENGINEER'S SEAL
CONSULTANT ACAD DWG. NO. 5509114-C-10

CITY OF WINNIPEG
PUBLIC WORKS DEPARTMENT
TRANSPORTATION ENGINEERING DIVISION

2010 ACTIVE TRANSPORTATION /
INFRASTRUCTURE STIMULUS PROGRAM
SHERBROOK AND ST. MATTHEWS
BIKE LANES

SHERBROOK AT WESTMINSTER, SARA AND ELLICE

C-10
SHEET 1 OF 4

APEGM
Certificate of Authorization
MMM Group Limited
No. 4531 Date: August 25, 2010