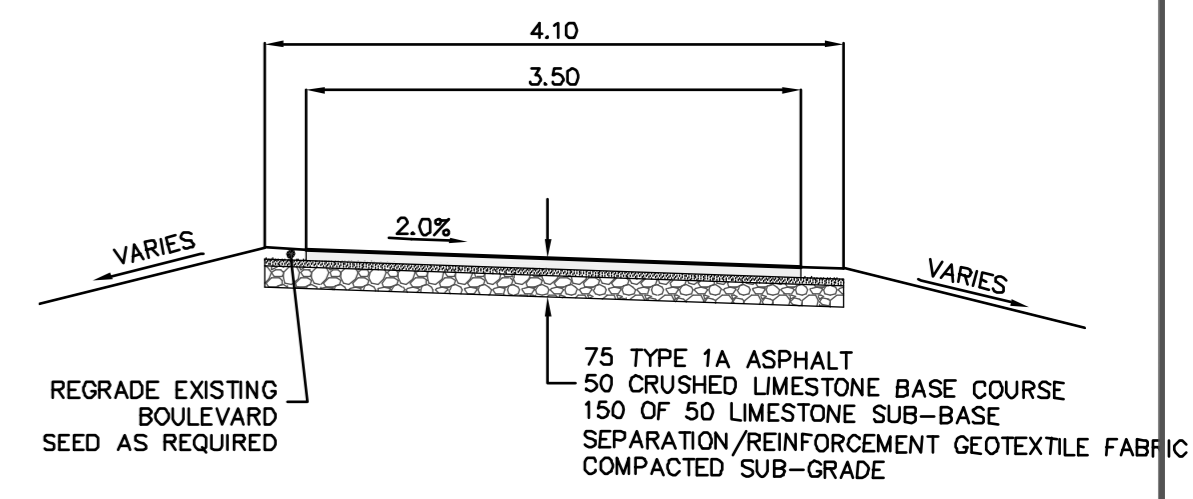
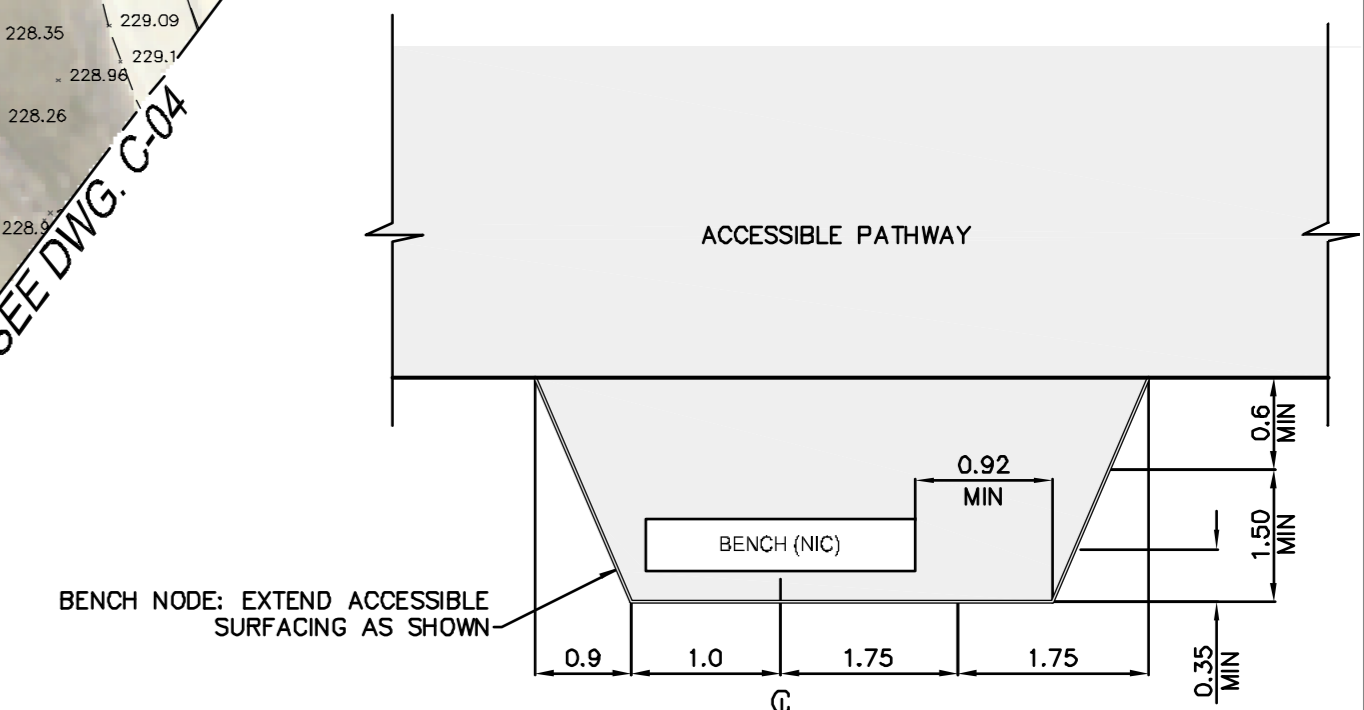
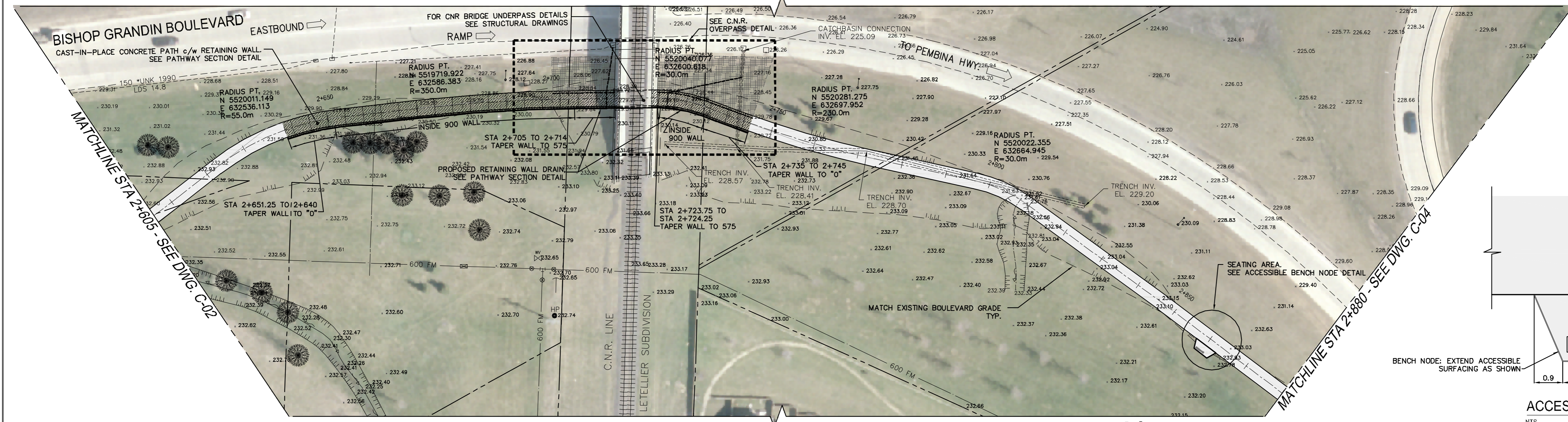


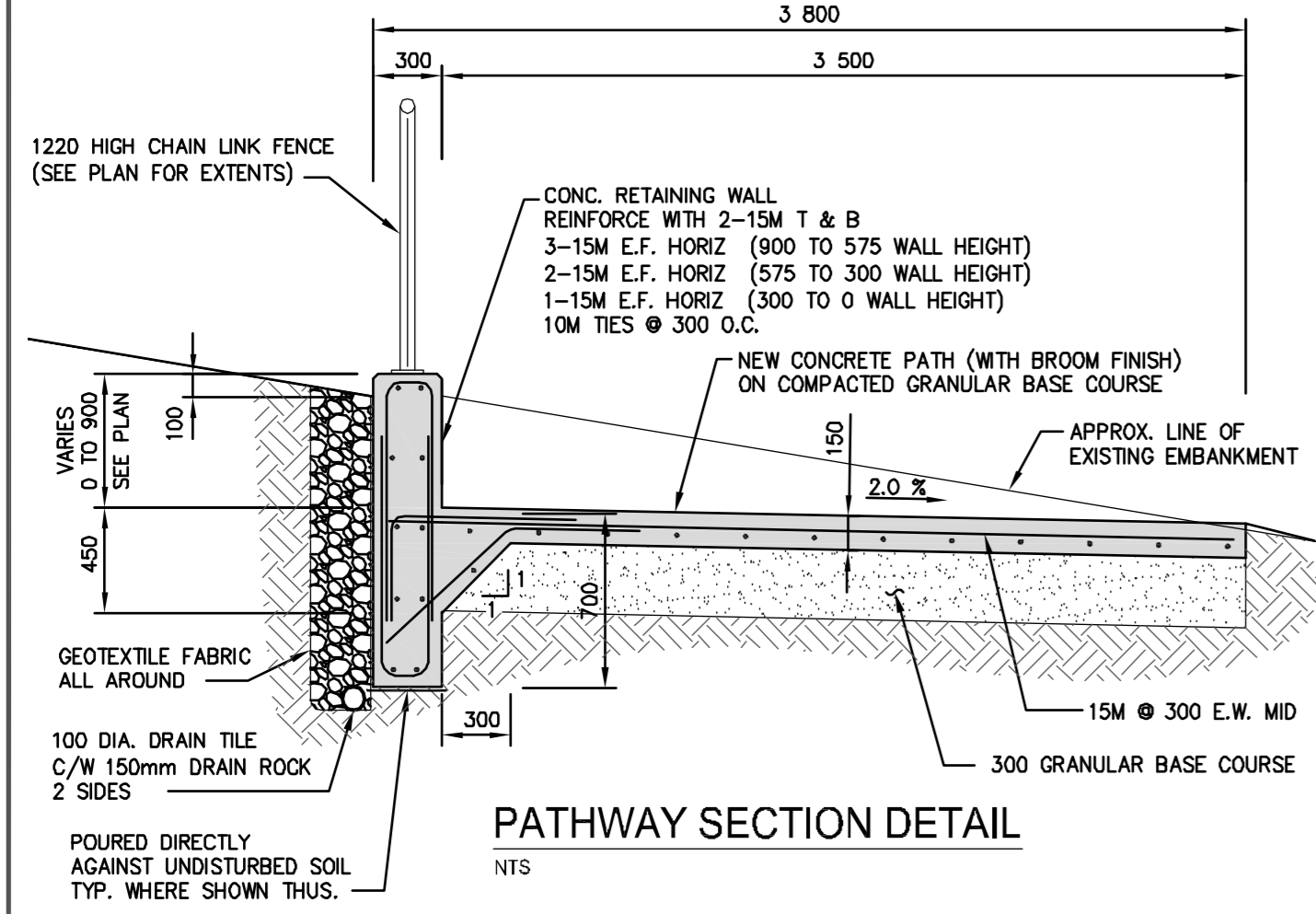
- NOTES:**
1. ALL WORK AND MATERIALS TO BE IN ACCORDANCE WITH THE LATEST REVISIONS OF THE CITY OF WINNIPEG STANDARD CONSTRUCTION SPECIFICATIONS.
 2. CONTRACTOR TO VERIFY DEPTH OF UTILITIES PRIOR TO CONSTRUCTION. LOCATION OF UNDERGROUND STRUCTURES AS SHOWN ARE BASED ON THE BEST INFORMATION AVAILABLE, BUT NO GUARANTEE IS GIVEN THAT ALL EXISTING UTILITIES ARE SHOWN OR THAT THE GIVEN LOCATIONS ARE EXACT. CONFIRMATION OF EXISTENCE AND EXACT LOCATION OF ALL SERVICES MUST BE OBTAINED FROM THE INDIVIDUAL UTILITIES BEFORE PROCEEDING WITH CONSTRUCTION.
 3. EXCAVATED MATERIAL TO BE USED AS BACKFILL WHERE REQUIRED.
 4. ALL SURFACES TO BE MAINTAINED OR RESTORED TO PREVIOUS CONDITION OR BETTER.
 5. SAWCUTS IN SIDEWALK SLAB TO CORRESPOND WITH SAWCUTS IN WALL.



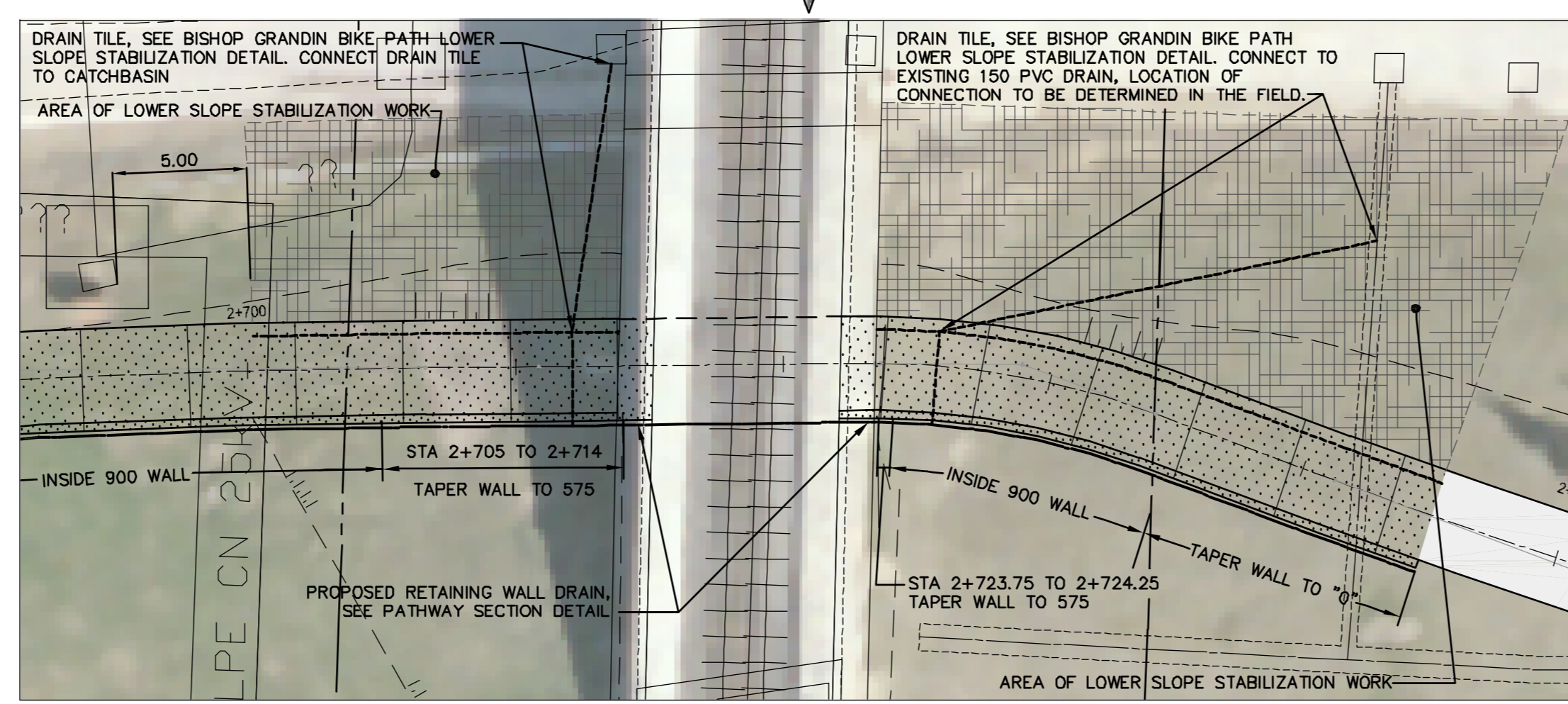
TYPICAL ASPHALT PATH SECTION
NTS



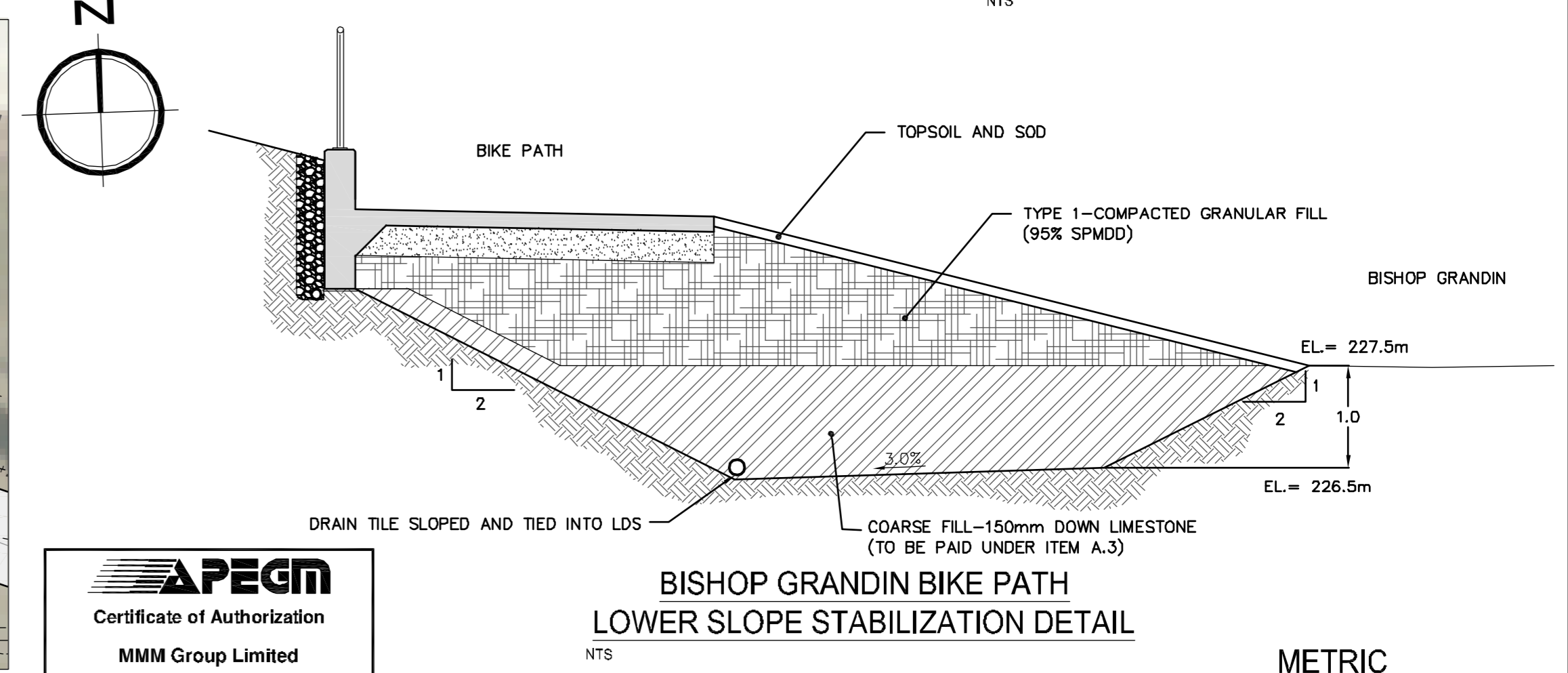
ACCESSIBLE BENCH NODE DETAIL
NTS



PATHWAY SECTION DETAIL
NTS



C.N.R. OVERPASS DETAIL
1:200



BISHOP GRANDIN BIKE PATH LOWER SLOPE STABILIZATION DETAIL
NTS

METRIC
WHOLE NUMBERS INDICATE MILLIMETERS
DECIMALIZED NUMBERS INDICATE METERS

NOTE: These design documents are prepared solely for the use by the party with whom the design professional has entered into a contract and there are no representations of any kind made by the design professional to any party with whom the design professional has not entered into a contract.

EXISTING	LEGEND-PLAN	PROPOSED	EXISTING	LEGEND-PLAN	PROPOSED	EXISTING	LEGEND-PROFILE	PROPOSED
	ASPHALT PATHWAY			EXISTING DITCH FLOW			EXISTING GROUND	
	PROPOSED CONCRETE PATH			CMP CULVERT			PROPOSED CENTERLINE	
	PATHWAY CENTERLINE			MANHOLE				
	PROPERTY LINE			CATCH BASIN				
31.99	WALKWAY ELEVATION	(32.50)		HYDRO POLE				
	WATER VALVE			HYDRO POLE WITH LIGHT				
	SWALE			EXISTING TRENCH DRAIN				
	MTS CABLE							
	SEWER							
	CONC. WWWS							
	WATER							

LOCATIONS APPROVED

NO.	REVISIONS	DATE	BY
4	ADDENDUM 1	23.08.10	RMB
3	ISSUED FOR RE-TENDER	13.08.10	RMB
2	REVISED VERTICAL GEOMETRY	12.07.10	RMB
1	ISSUED FOR REVIEW	20.08.09	RMB

G.B.M. ELEV.	DATE	BY
232.335		

APEGM
Certificate of Authorization
MMM Group Limited
No. 4531 Date: AUGUST 13, 2010

ENGINEER'S SEAL
CITY OF WINNIPEG
PUBLIC WORKS DEPARTMENT
ENGINEERING DIVISION

2010 ACTIVE TRANSPORTATION PROGRAM
BISHOP GRANDIN GREENWAY
PHASE II SOUTH SIDE PATHWAY EXTENSION
PEMBINA HIGHWAY TO 900m WEST OF PEMBINA HIGHWAY
STA. 2+605 TO 2+880

C-03
SHEET 3 OF 5

Aug 23, 2010 - 3:58pm
P:\5509078-000\5509078-000\2009\Drawings\Phase II\AutoCAD DWG\5509078-Phase II-CAD\100820.dwg -tab:C-03 2+605 TO 2+880