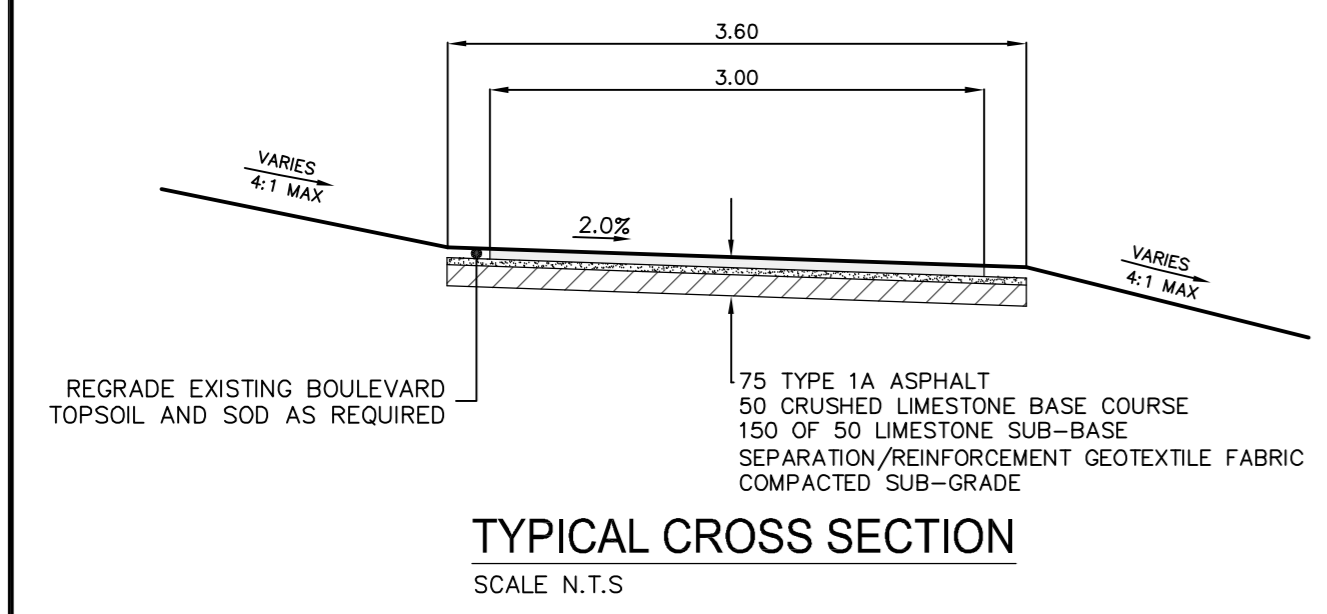
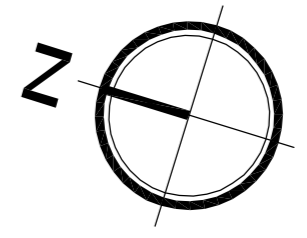


OMAND PARK MULT-USE PATH



NOTES:

1. ALL WORK AND MATERIALS TO BE IN ACCORDANCE WITH THE LATEST REVISIONS OF THE CITY OF WINNIPEG STANDARD CONSTRUCTION SPECIFICATIONS.
2. CONTRACTOR TO VERIFY DEPTH OF UTILITIES PRIOR TO CONSTRUCTION.
3. LOCATION OF UNDERGROUND STRUCTURES AS SHOWN ARE BASED ON THE BEST INFORMATION AVAILABLE, BUT NO GUARANTEE IS GIVEN THAT ALL EXISTING UTILITIES ARE SHOWN OR THAT THE GIVEN LOCATIONS ARE EXACT. CONFIRMATION OF EXISTENCE AND EXACT LOCATION OF ALL SERVICES MUST BE OBTAINED FROM THE INDIVIDUAL UTILITIES BEFORE PROCEEDING WITH CONSTRUCTION.
4. EXCAVATED MATERIAL TO BE USED AS BACKFILL WHERE REQUIRED.
5. ALL SURFACES TO BE MAINTAINED OR RESTORED TO PREVIOUS CONDITION OR BETTER.

NOTE:
These design documents are prepared solely for the use by the party with whom the design professional has contracted for a service and there are no representations of any kind made by the design professional to any party with whom the design professional has not contracted for a service.

231.99		ELEVATION	(32.50)	HYDRANT	---	EXISTING GROUND	---
○		WATER VALVE		150mm BARRIER CURB	=====	PROPOSED CENTERLINE	-----
□		MANHOLE		CONCRETE	=====		
		CATCH BASIN		ASPHALT	=====		
		MTS CABLE					
		LDS					
		IWS					
		WATER					
		PROPERTY LINE					
HP		HYDRO POLE					
●		HYDRO POLE WITH LIGHT					
---		EXISTING		PROPOSED	EXISTING	LEGEND--PLAN	PROPOSED
---		EXISTING		PROPOSED	EXISTING	LEGEND--PROFILE	PROPOSED

LOCATIONS APPROVED		G.B.M. TBLT IN 3.7m CONC PILE, 3.7m N OF S.L. OF PORTAGE AVE. & 3.4m E OF LINE OF W.L. OF KING EDWARD ST. ELEV. 236.437m	
SIGNED BY:			
SUPV U/G STRUCTURES		DATE	
LOCATION OF UNDERGROUND STRUCTURES AS SHOWN ARE BASED ON THE BEST INFORMATION AVAILABLE BUT NO GUARANTEE IS GIVEN THAT ALL EXISTING UTILITIES ARE SHOWN OR THAT THE GIVEN LOCATIONS ARE EXACT. CONFIRMATION OF EXISTENCE AND EXACT LOCATION OF ALL SERVICES MUST BE OBTAINED FROM THE INDIVIDUAL UTILITIES BEFORE PROCEEDING			

NO.	REVISIONS	DATE	BY
4	-	-	-
3	ISSUED FOR TENDER	10.09.10	RP
2	ISSUED FOR REVIEW	10.09.10	RP
1	FOR REVIEW	01.09.10	-

DESIGNED BY		CHECKED BY	
RP		-	
DRAWN BY		APPROVED BY	
TR		RP	
HOR. SCALE 1:200		RELEASED FOR CONSTRUCTION	
VERTICAL 1:50		DATE	
DATE: 10.09.10		DATE	

ENGINEER'S SEAL
PROVINCE OF MANITOBA
REGISTERED PROFESSIONAL ENGINEER
W. PETURSSON
24842

APEGM
Certificate of Authorization
MMM Group Limited
No. 4531 Date: Sep. 10, 2010

METRIC
WHOLE NUMBERS INDICATE MILLIMETERS
DECIMALIZED NUMBERS INDICATE METERS

CITY OF WINNIPEG
PUBLIC WORKS DEPARTMENT
TRANSPORTATION ENGINEERING DIVISION

2010 ACTIVE TRANSPORTATION/
INFRASTRUCTURE STIMULUS PROGRAM
OMAND PARK UPGRADES

MULTI-USE PATH
STA. 1+00.00 TO 1+85.00

C-14
SHEET 1 OF 4