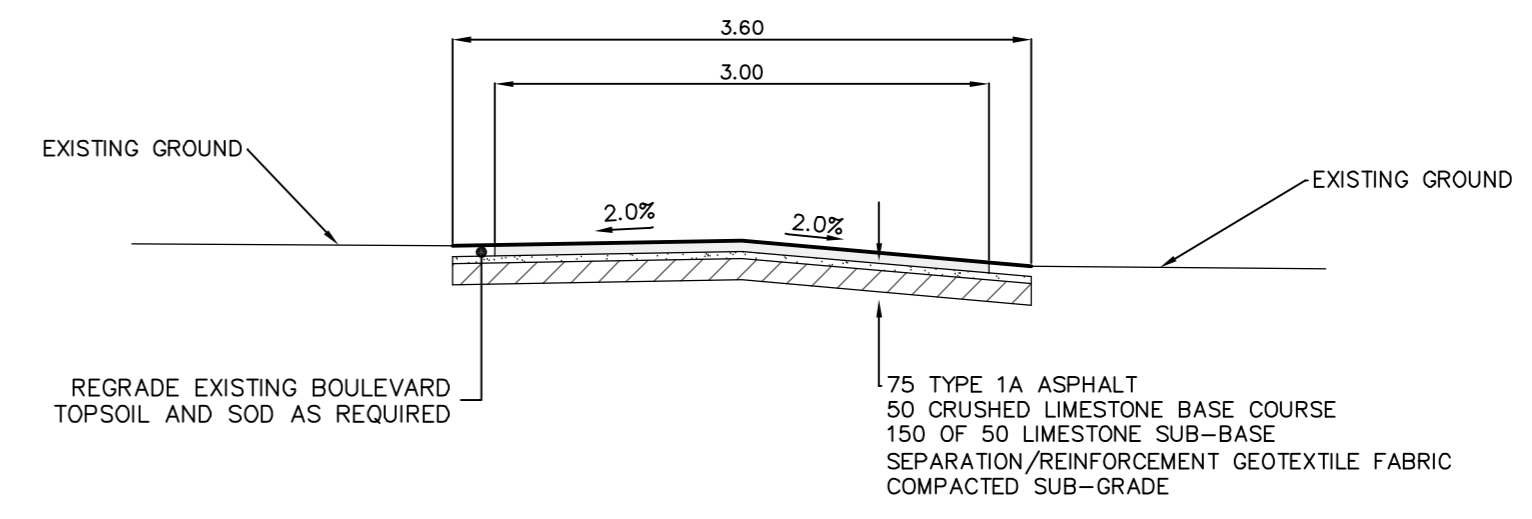
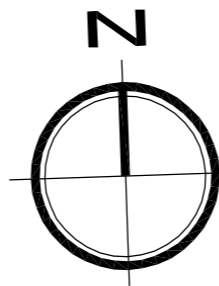
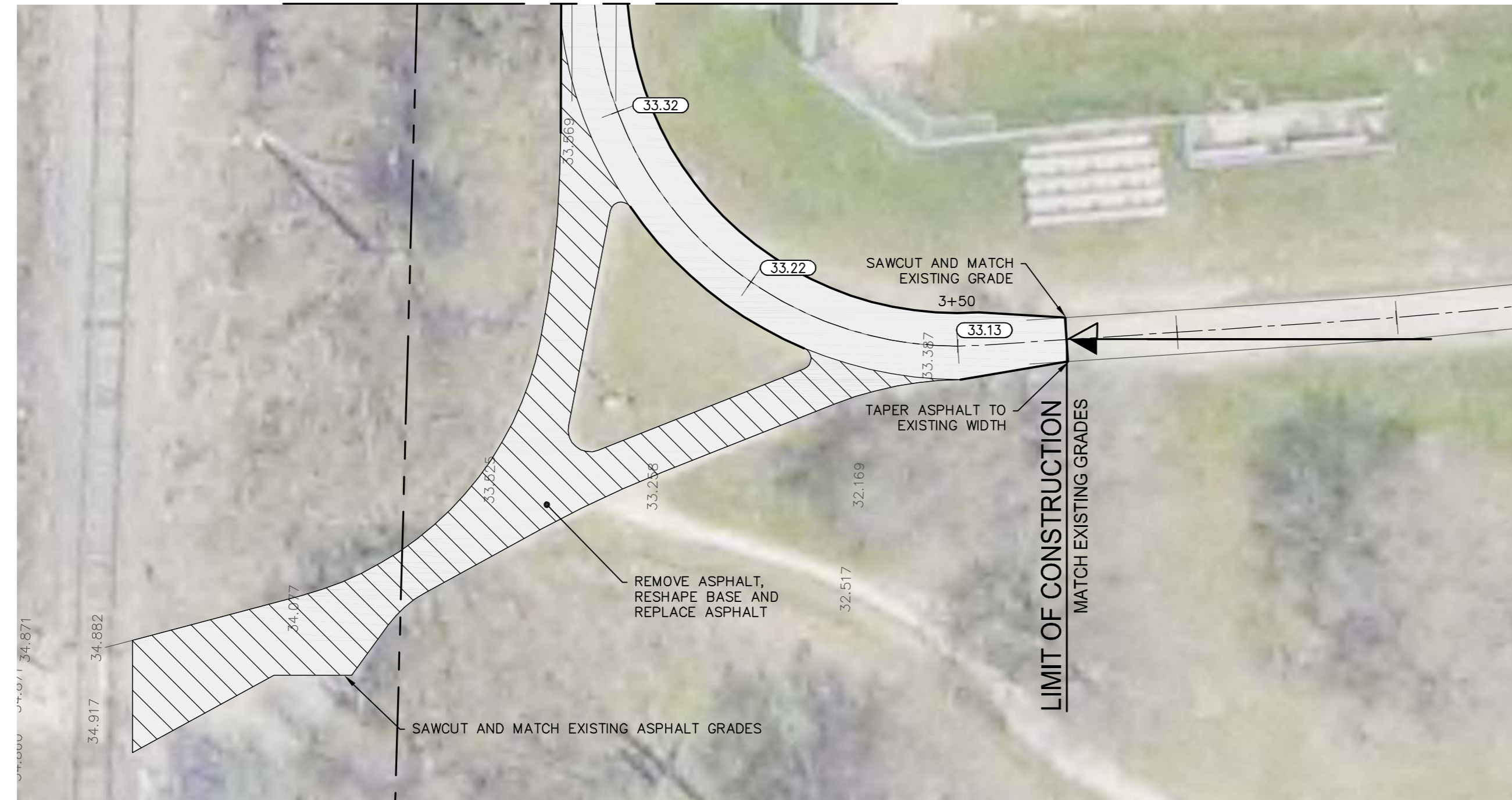


OMAND PARK MULT-USE PATH

MATCHLINE - SEE DWG. 5509114-C-15 STA 3+25



TYPICAL CROSS SECTION  
SCALE N.T.S.

NOTES:

1. ALL WORK AND MATERIALS TO BE IN ACCORDANCE WITH THE LATEST REVISIONS OF THE CITY OF WINNIPEG STANDARD CONSTRUCTION SPECIFICATIONS.
2. CONTRACTOR TO VERIFY DEPTH OF UTILITIES PRIOR TO CONSTRUCTION.
3. LOCATION OF UNDERGROUND STRUCTURES AS SHOWN ARE BASED ON THE BEST INFORMATION AVAILABLE, BUT NO GUARANTEE IS GIVEN THAT ALL EXISTING UTILITIES ARE SHOWN OR THAT THE GIVEN LOCATIONS ARE EXACT. CONFIRMATION OF EXISTENCE AND EXACT LOCATION OF ALL SERVICES MUST BE OBTAINED FROM THE INDIVIDUAL UTILITIES BEFORE PROCEEDING WITH CONSTRUCTION.
4. EXCAVATED MATERIAL TO BE USED AS BACKFILL WHERE REQUIRED.
5. ALL SURFACES TO BE MAINTAINED OR RESTORED TO PREVIOUS CONDITION OR BETTER.

NOTE:  
These design documents are prepared solely for the use by the party with whom the design professional has contracted for a service and there are no representations of any kind made by the design professional to any party with whom the design professional has not contracted for a service.

231.99	ELEVATION	(32.50)	HYDRANT	---	EXISTING GROUND	---
○	WATER VALVE		150mm BARRIER CURB	---	PROPOSED CENTERLINE	---
□	MANHOLE		CONCRETE	---		---
	CATCH BASIN		ASPHALT	---		---
	MTS CABLE					
	LDS					
	IWS					
	WATER					
---	PROPERTY LINE					
HP	HYDRO POLE					
●	HYDRO POLE WITH LIGHT					
EXISTING	LEGEND-PLAN	PROPOSED	EXISTING	LEGEND-PLAN	PROPOSED	EXISTING
				LEGEND-PROFILE	PROPOSED	

LOCATIONS APPROVED	
UNDERGROUND STRUCTURES	SIGNED BY: _____ DATE: _____
SUPV U/G STRUCTURES	DATE: _____

G.B.M. TBLT IN 3.7m CONC PILE, 3.7m N OF S.L. OF PORTAGE AVE. & 3.4m E OF LINE OF W.L. OF KING EDWARD ST. ELEV. 236.437m			
NO.	REVISIONS	DATE	BY
4	-	-	-
3	ISSUED FOR TENDER	10.09.10	RP
2	ISSUED FOR REVIEW	10.09.10	RP
1	FOR REVIEW	01.09.10	-

**MMM GROUP**

DESIGNED BY: RP CHECKED BY: -

DRAWN BY: TR APPROVED BY: RP

HOR. SCALE 1:200  
VERTICAL 1:50

DATE: 10.09.10

ENGINEER'S SEAL

MMM Group Limited  
Suite 111 - 93 Lombard Ave.  
Winnipeg, MB R2B 3B1  
T: 204.943.3119  
F: 204.943.4548  
www.mmm.ca

**PETURSSON**  
REGISTERED PROFESSIONAL ENGINEER

CONSULTANT ACAD DWG. NO.  
5509114-C-16

**CITY OF WINNIPEG**  
PUBLIC WORKS DEPARTMENT  
TRANSPORTATION ENGINEERING DIVISION

2010 ACTIVE TRANSPORTATION/  
INFRASTRUCTURE STIMULUS PROGRAM

OMAND PARK UPGRADES

**MULTI-USE PATH**  
STA. 3+25.00 TO 3+55.00

**C-16**

SHEET 3 OF 4

**APEGN**  
Certificate of Authorization  
MMM Group Limited  
No. 4531 Date: Sept. 10, 2010

METRIC  
WHOLE NUMBERS INDICATE MILLIMETERS  
DECIMALIZED NUMBERS INDICATE METERS

See 10\_2010 - 3-27m  
P:\5509114-000-5509114-000 2010 Active Transportation Infrastructure Stimulus Program\MMM Drawings\Omand Park Upgrades\5509114 Omand Park C-14-17\_100910.dwg -tab-C-16