

TITLE

PLAYGROUND TIMBER EDGE DETAIL

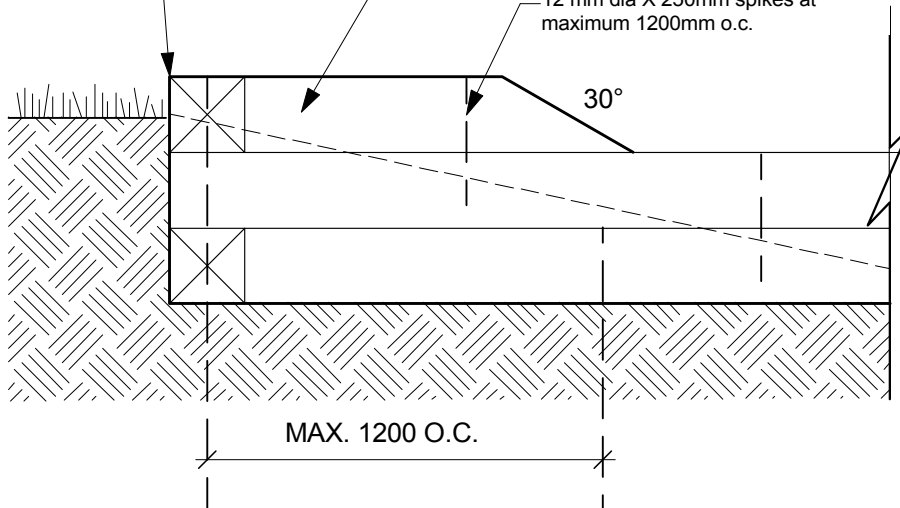
SCD-638b

8mm CHAMFER
ALL TOP EDGES

150x150mm two-tier timber edging. Top course cedar timbers, bottom course pressure-treated timbers. 8mm chamfered edges (45 degrees). Minimum length 1200mm. Install longest lengths possible.

12 mm dia X 250mm spikes at maximum 1200mm o.c.

30°



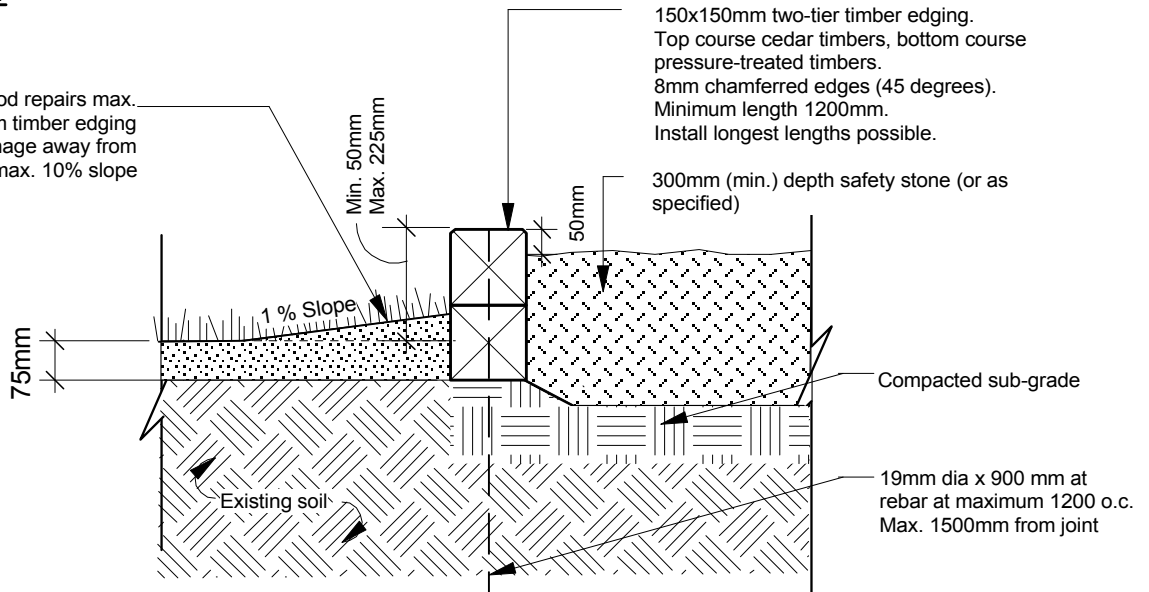
ON SLOPING GROUND, TIMBERS ARE TO REMAIN LEVEL AND ADDITIONAL ROWS ADDED AS REQUIRED.

END VIEW

Topsoil and Seed or Sod repairs max. 500mm from timber edging. Ensure positive drainage away from play area - min. 1%, max. 10% slope

150x150mm two-tier timber edging. Top course cedar timbers, bottom course pressure-treated timbers. 8mm chamfered edges (45 degrees). Minimum length 1200mm. Install longest lengths possible.

300mm (min.) depth safety stone (or as specified)



CROSS SECTION

1. Base course timbers shall be pinned with a minimum of two (2) 19mm dia. by 900mm rebar at maximum 1200mm o.c.
2. All rows of timber above base course shall be securely spiked with a minimum of two (2) 12mm dia. by 250mm spikes at maximum 1200mm o.c.
3. All dimensions are in millimetres.
4. Pressure-treated timbers - preservative must be applied to all end cuts.

NOT TO SCALE

AUG/09

SP

THE CITY OF WINNIPEG
Planning, Property and Development Department
Planning and Land Use Division
Unit 15 - 30 Fort Street, Winnipeg, MB, R3C 4X5

