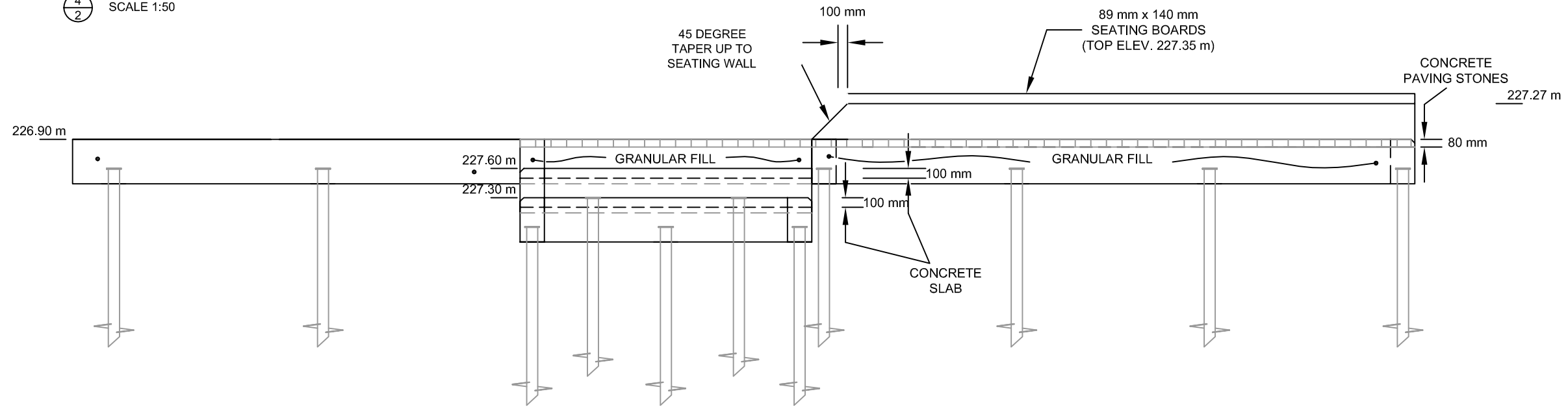
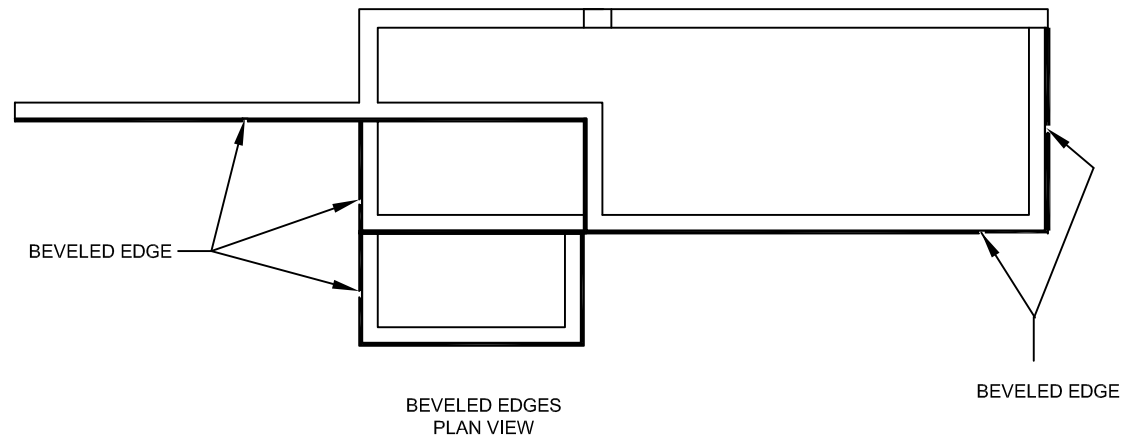
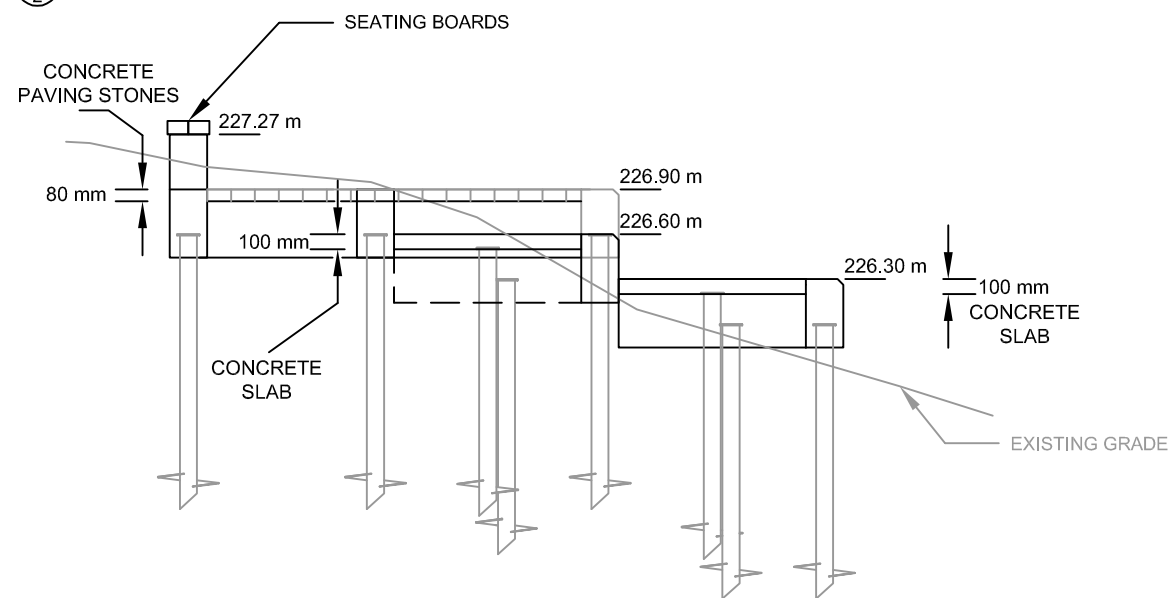


4/2 SCALE 1:50



5/2 SCALE 1:50



NOTES

BEVELED EDGES ARE NOT SHOWN ON CROSS SECTIONS, SEE PLAN VIEW ON DRAWING 4 FOR LOCATION OF BEVEL EDGES.



#6 - 854 Marion Street
Winnipeg, MB R2J 0K4
Phone: (204) 233-1694
Fax: (204) 235-1579

ENG. STAMP:



CLIENT:
KEN RECH LANDSCAPE ARCHITECTS INC.

PROJECT:
RIVERBANK ASSESSMENT,
BOURKEVALE C.C. RIVER ACCESS/
CANOE LAUNCH, WINNIPEG, MB

DWG DESCRIPTION:
CROSS SECTIONS 4 AND 5

SCALE:
AS SHOWN

DRAWN BY: ATK DATE: AUGUST 2010

FILE No.: 10-432-01 CLIENT DWG/FIG. No.:

ENG-TECH DWG/FIG. No.: G-4

REV.: R-0