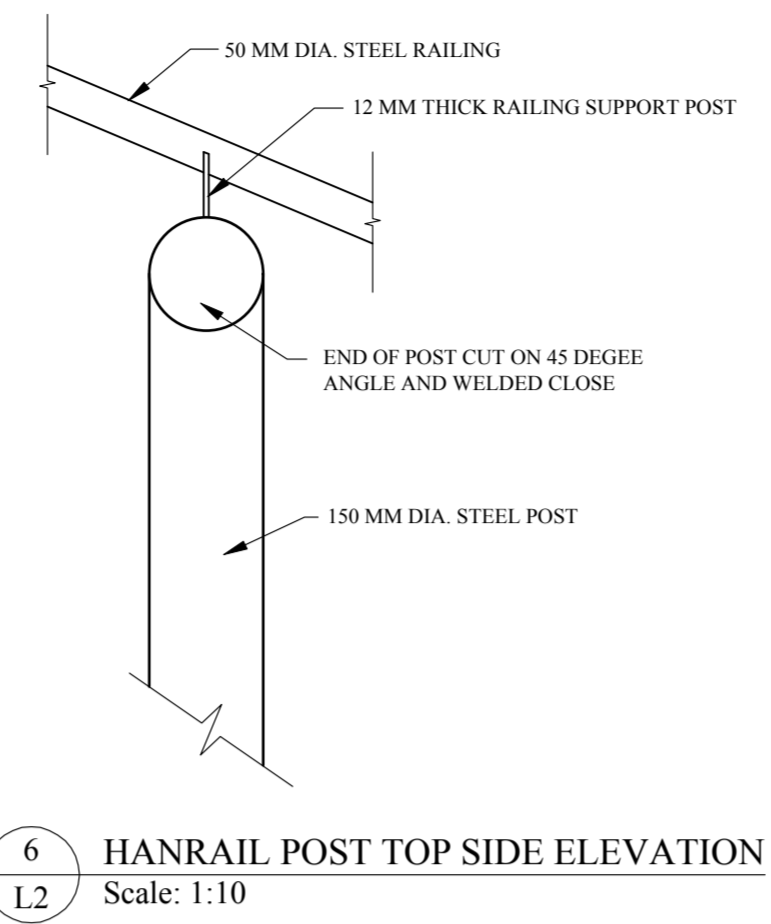
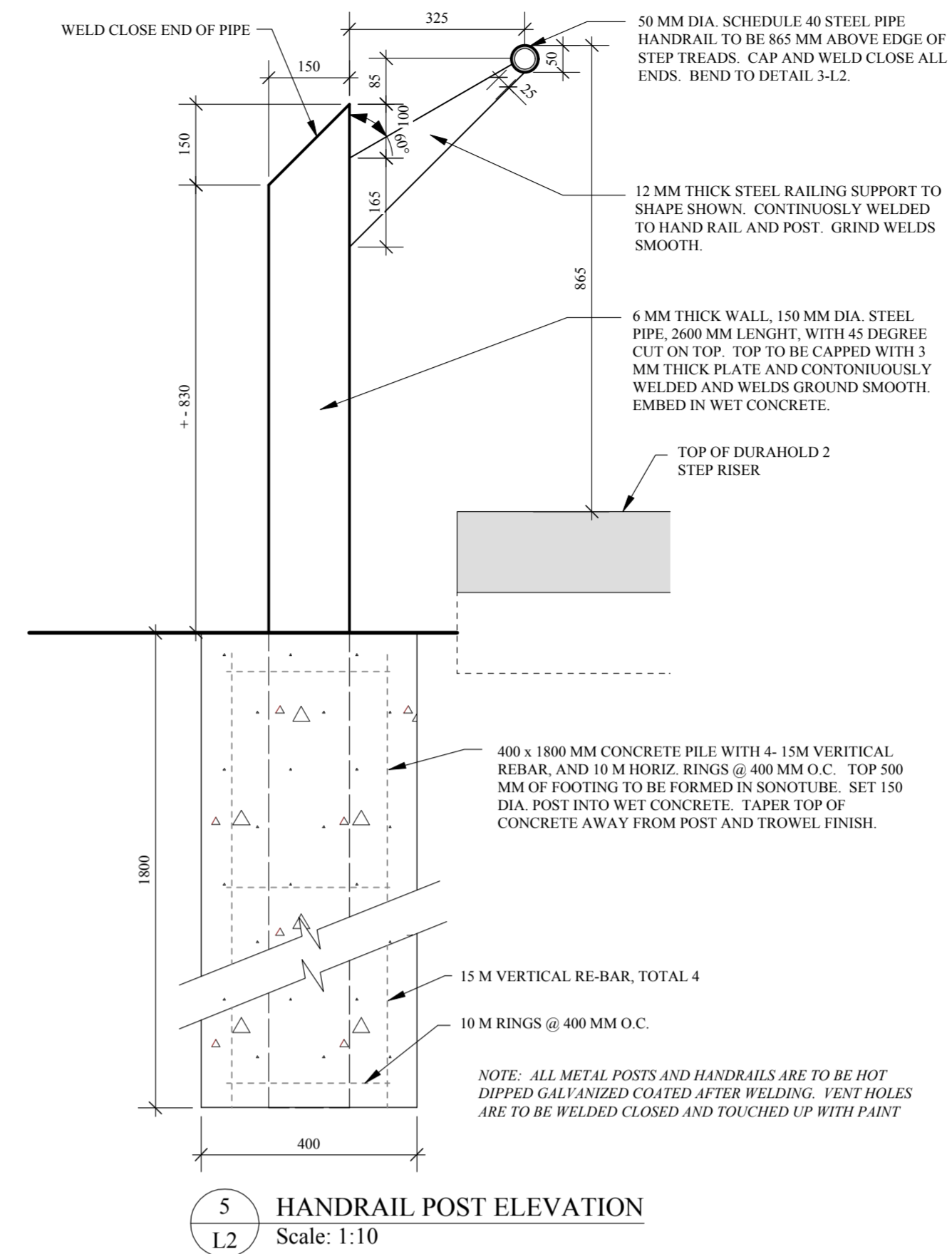


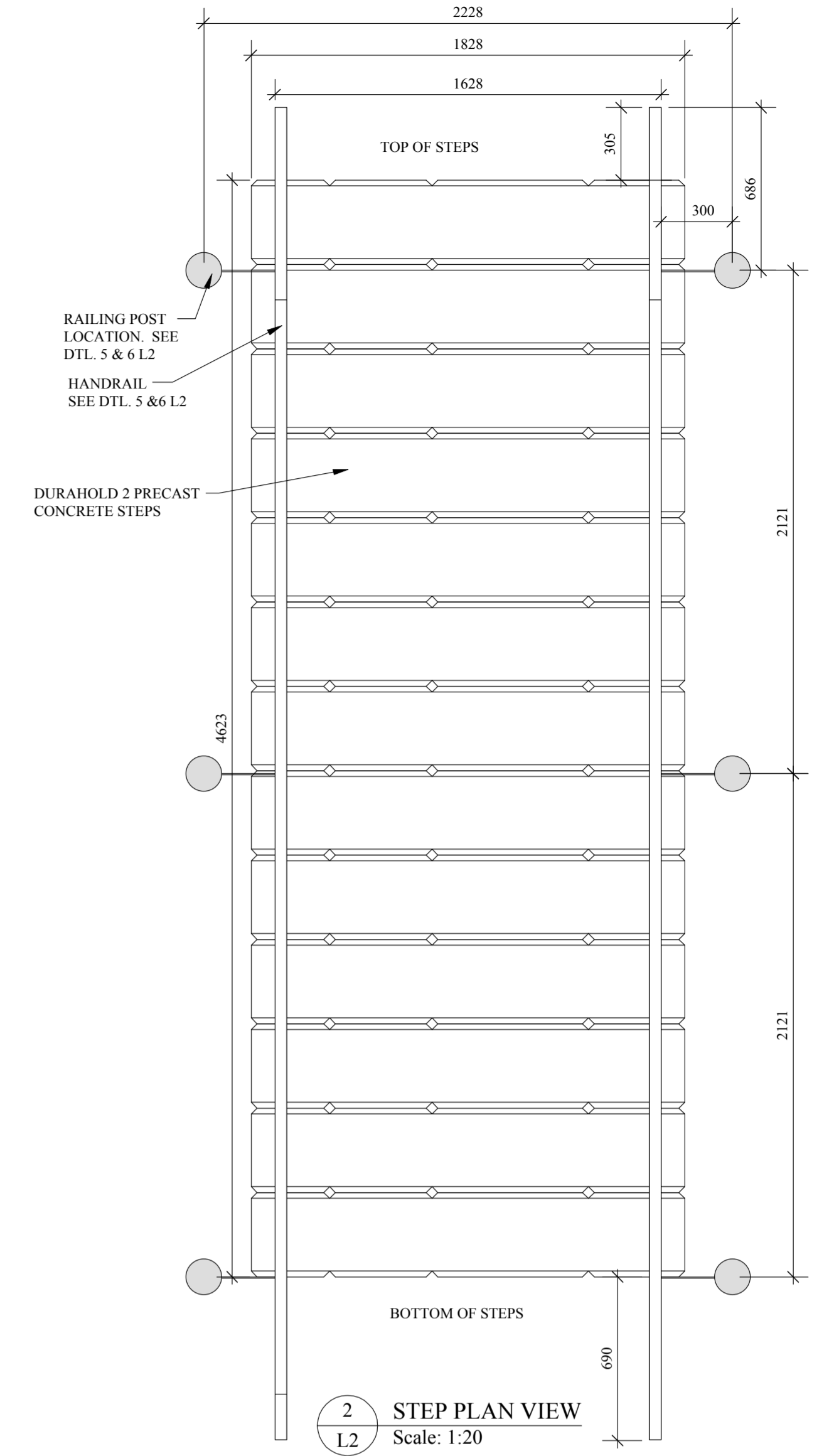
3 STEP SECTION
L2 Scale: 1:20



6 HANRAIL POST TOP SIDE ELEVATION
L2 Scale: 1:10

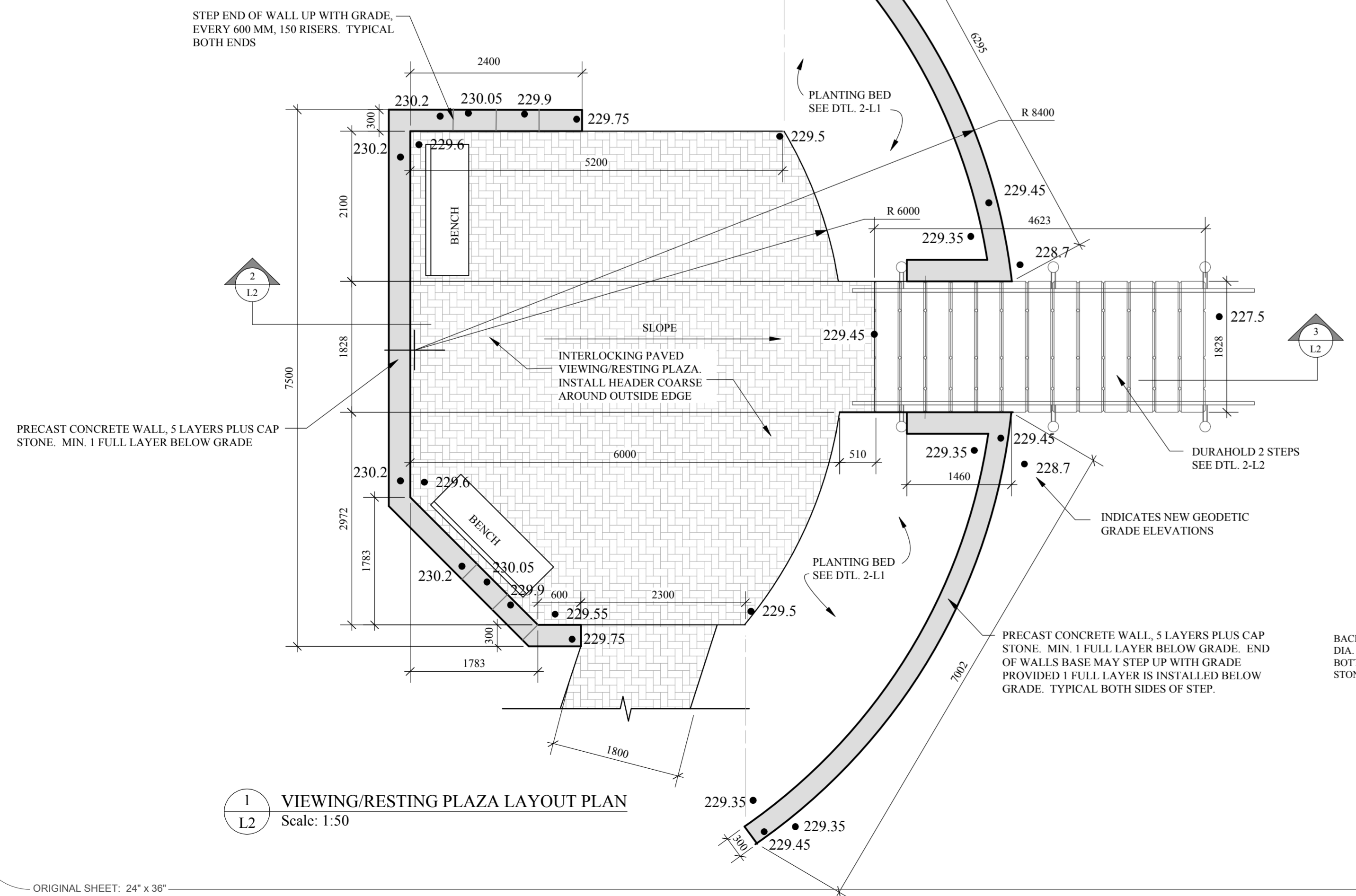


5 HANDRAIL POST ELEVATION
L2 Scale: 1:10

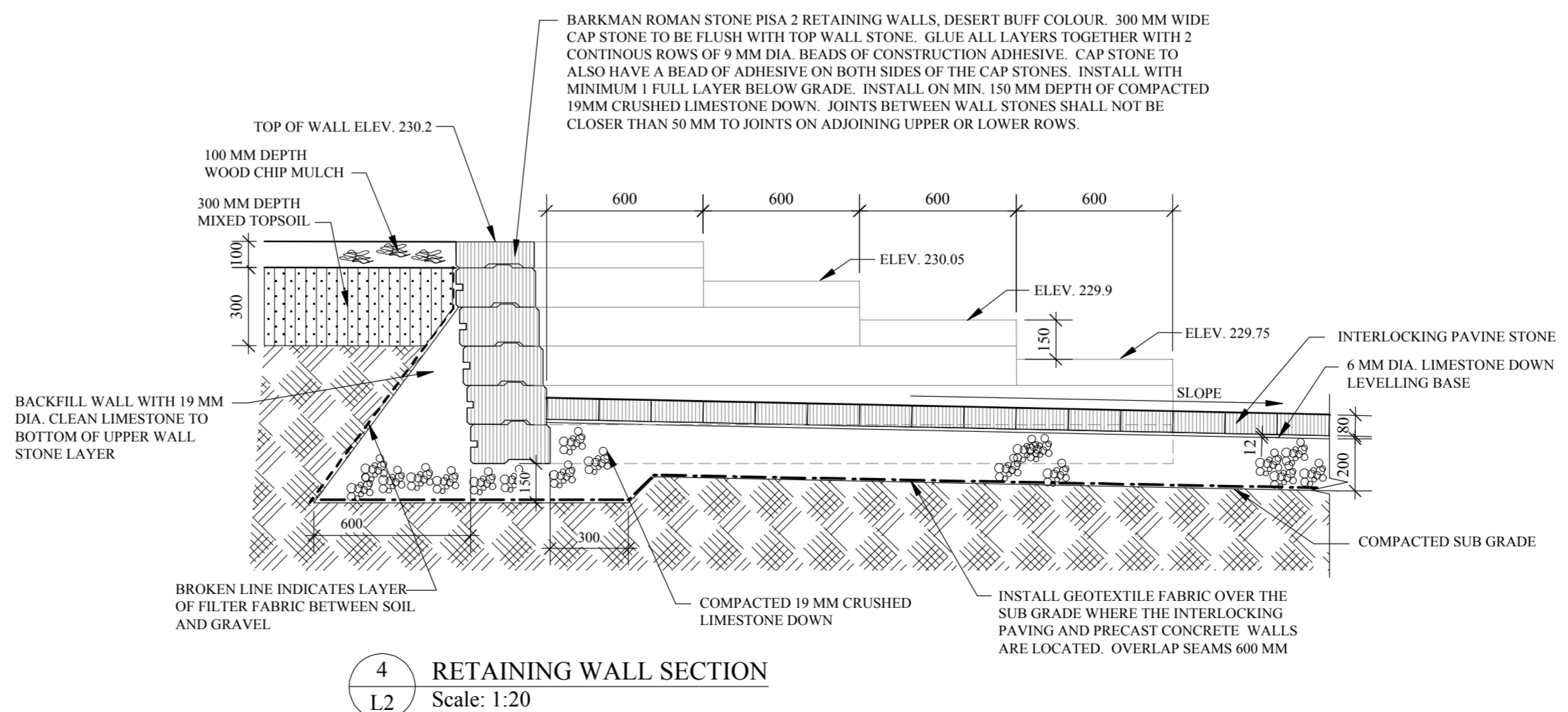


2 STEP PLAN VIEW
L2 Scale: 1:20

NOTE: BENCHES ARE TO BE CASCADES CONTOUR SERIES, 1800 MM LENGTH, WITH ARMS AND BACK, SAND COLOUR LUMBER AND METALLIC GREY FRAME. INSTALL THE TWO BENCH LEGS IN 400 MM DIA. X 900 MM DEEP CONCRETE FILLED HOLES WITH TOP OF CONCRETE SET 100 MM BELOW TOP OF PAVING FINISH GRADE ELEVATIONS.



1 VIEWING/RESTING PLAZA LAYOUT PLAN
L2 Scale: 1:50



4 RETAINING WALL SECTION
L2 Scale: 1:20

Ken R. Rech
Winnipeg, Manitoba
August 31, 2010

PROJECT TITLE	NO.	REVISIONS	BY	DATE
BOURKEVALE C.C. RIVER ACCESS/CANOE LAUNCH				
DRAWING TITLE	KEN RECH LANDSCAPE ARCHITECTS INC.			
VIEWING PLAZA DETAILS	1480 Wellington Crescent Winnipeg Manitoba Fax 489-6852 R3N 0B3 Tel(204) 489-6616			
DRAWN BY	SCALE	AS NOTED	SHEET NO.	
K. Rech			L2	
PRINT DATE	DATE	DATE	DATE	DATE
Aug. 31, 2010	Aug. 31, 2010	Aug. 31, 2010	Aug. 31, 2010	Aug. 31, 2010
FILE NO.	REVISION	REVISION	REVISION	REVISION
10-09	0	0	0	0