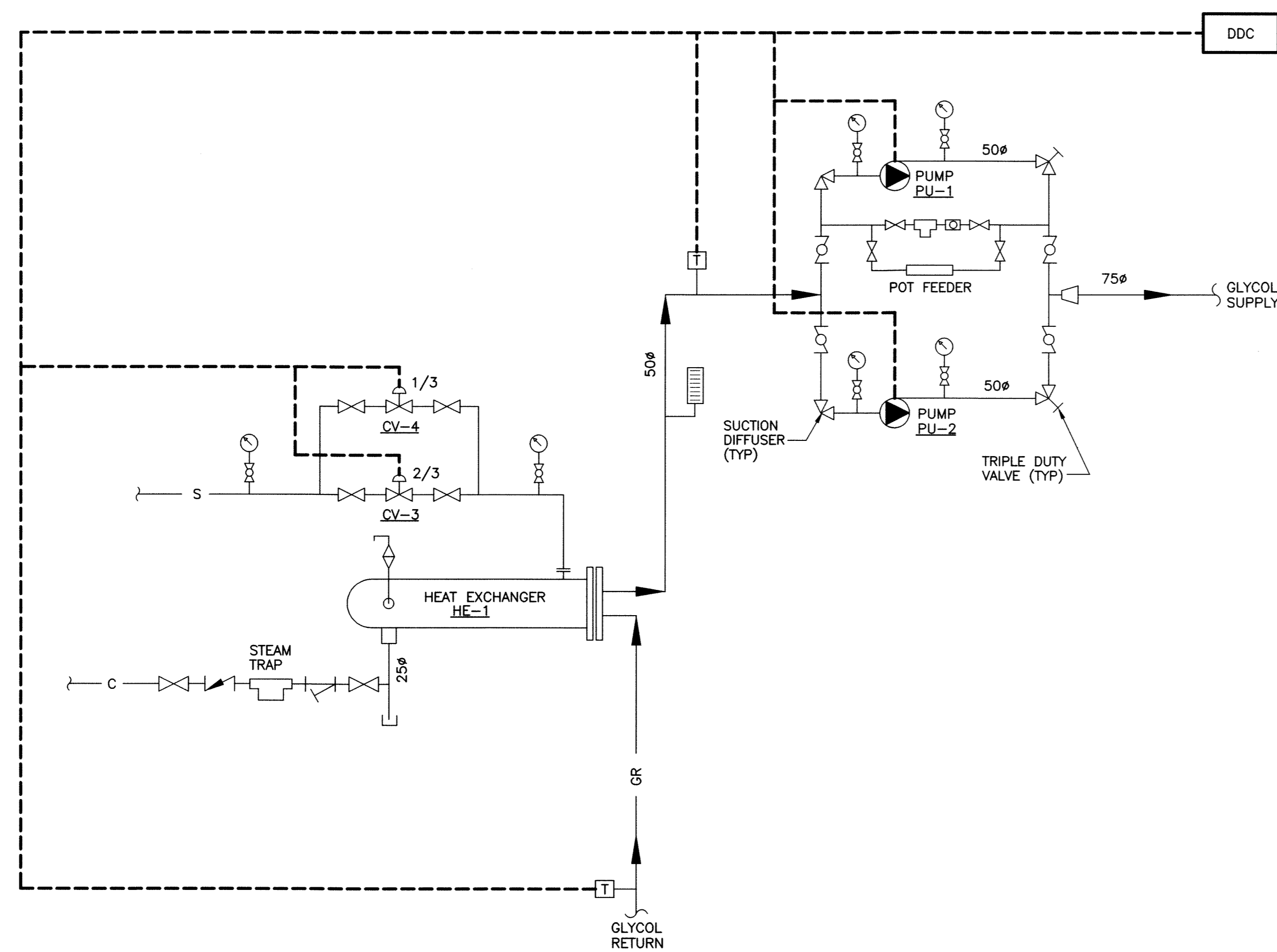


1 AIR HANDLING UNITS AHU-1 AND AHU-2
SCALE: N.T.S.



2 HEAT EXCHANGER AND PUMPS
SCALE: N.T.S.

LEGEND:

- HE HEAT EXCHANGER
- GS GLYCOL SUPPLY
- GR GLYCOL RETURN
- S STEAM
- C CONDENSATE
- Ⓣ DDC THERMOSTAT
- Ⓣ TEMPERATURE SENSOR
- CO2 CARBON DIOXIDE SENSOR
- MD MOTORIZED DAMPER
- AP AIR PURGER C/W AIR VENT
- ⊙ CIRCULATING PUMP
- Ⓢ PRESSURE GAUGE c/w BALL VALVE
- Ⓢ THERMOMETER
- CV CONTROL VALVE MODULATING
- GV GATE VALVE
- BV BUTTERFLY VALVE
- CV CHECK VALVE
- ST STRAINER
- RED REDUCER
- TDV TRIPLE DUTY VALVE c/w CHECK VALVE
- SD SUCTON DIFFUSER c/w STRAINER
- AV AIR VENT/VACUUM BREAKER
- FI FLOW INDICATOR
- F FILTER

KGS FILE NO.: P:\PROJECTS\2008\08-0107-09\DWG\MECH\08-0107-09-P1-M08.dwg
PLOT SCALE: 1:1 (IMPERIAL)

APEGM
Certificate of Authorization
KGS Group
No. 245 Date: 10/01/28

B.M. ELEV.			
DESIGNED BY	PSS	CHECKED BY	<i>[Signature]</i>
DRAWN BY	VJH	APPROVED BY	<i>[Signature]</i>
HOR. SCALE:	AS SHOWN	RELEASED FOR CONSTRUCTION:	
VERTICAL:		DATE	
NO.	REVISIONS	DATE	BY
0	ISSUED FOR TENDER	10/01/28	<i>[Signature]</i>

KGS GROUP CONSULTING ENGINEERS & PROJECT MANAGERS
WINNIPEG (204) 896-1209
THUNDER BAY (807) 345-2233

DESIGNED BY: PSS
DRAWN BY: VJH
HOR. SCALE: AS SHOWN
VERTICAL: .

ENGINEER'S SEAL
P.S. SILVA
MEMBER
21131
PROFESSIONAL ENGINEER

CONSULTANT DRAWING NO.
P1-M08

THE CITY OF WINNIPEG
PUBLIC WORKS DEPARTMENT

PROJECT TITLE
**FORT ROUGE LEISURE CENTRE
HVAC UPGRADES - PHASE 1**

SHEET **001** OF **001**
COMPUTER FILE NAME
08-0107-09-P1-M08
CITY DRAWING NUMBER

CONTROLS SCHEMATIC