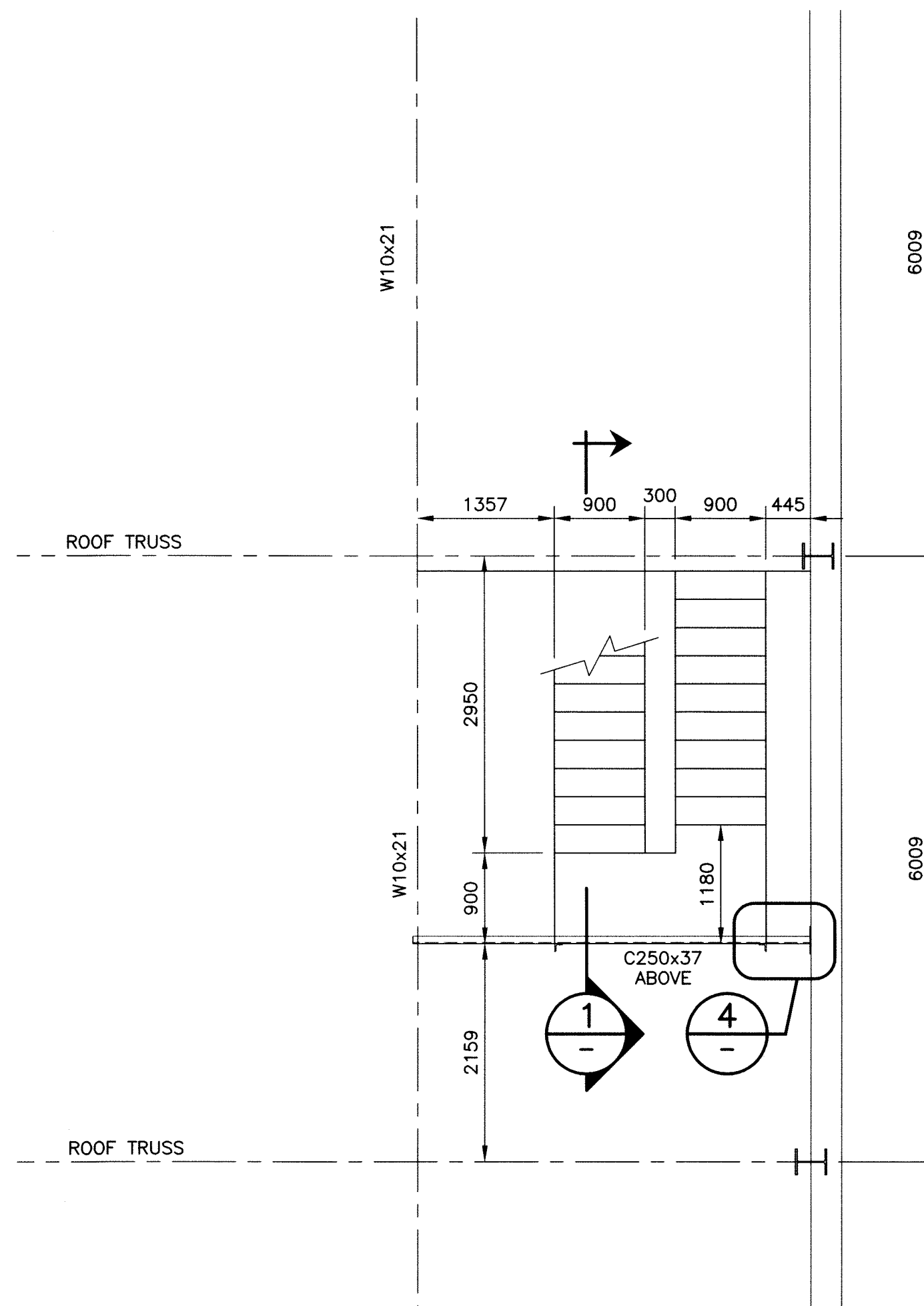
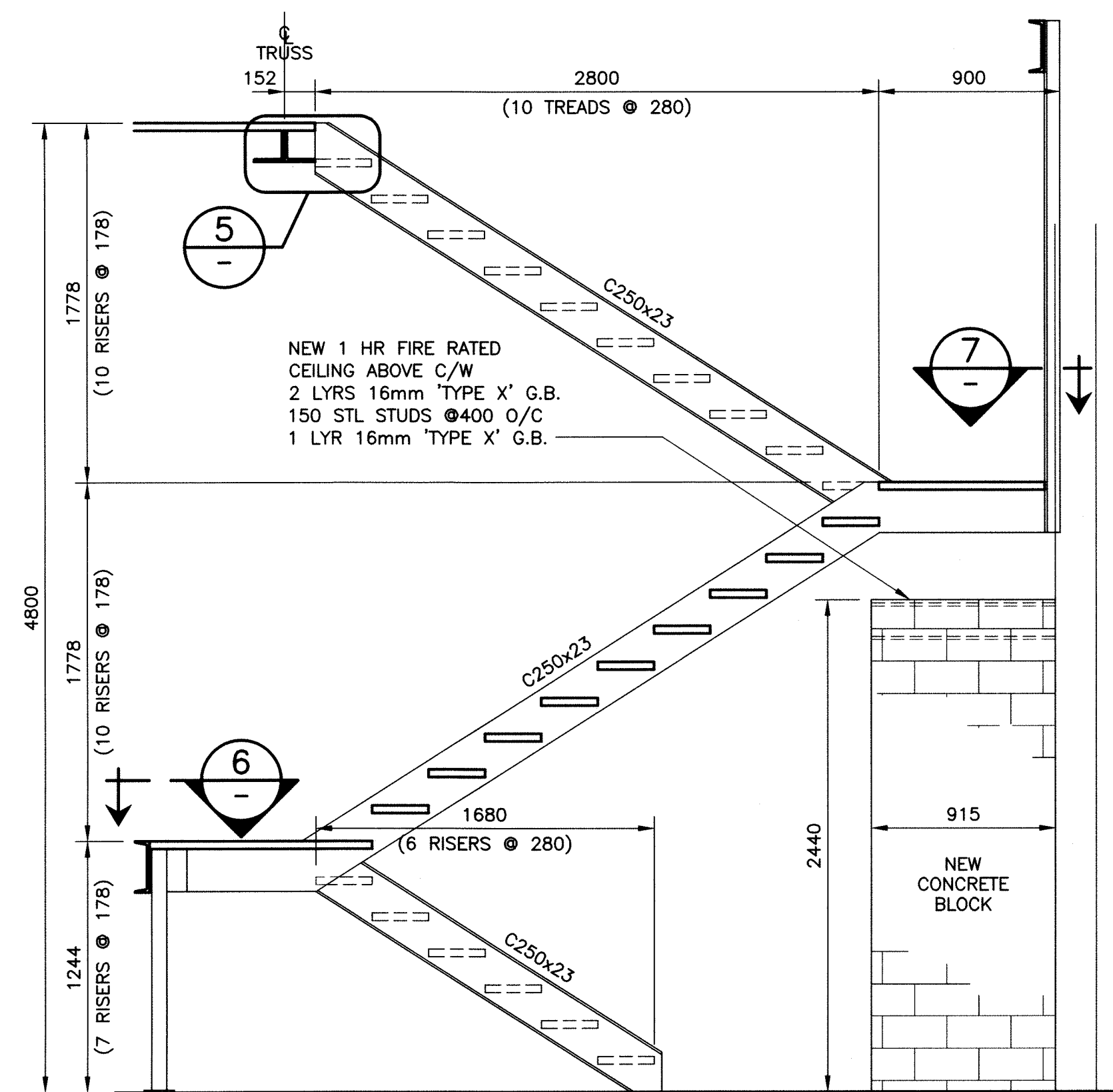


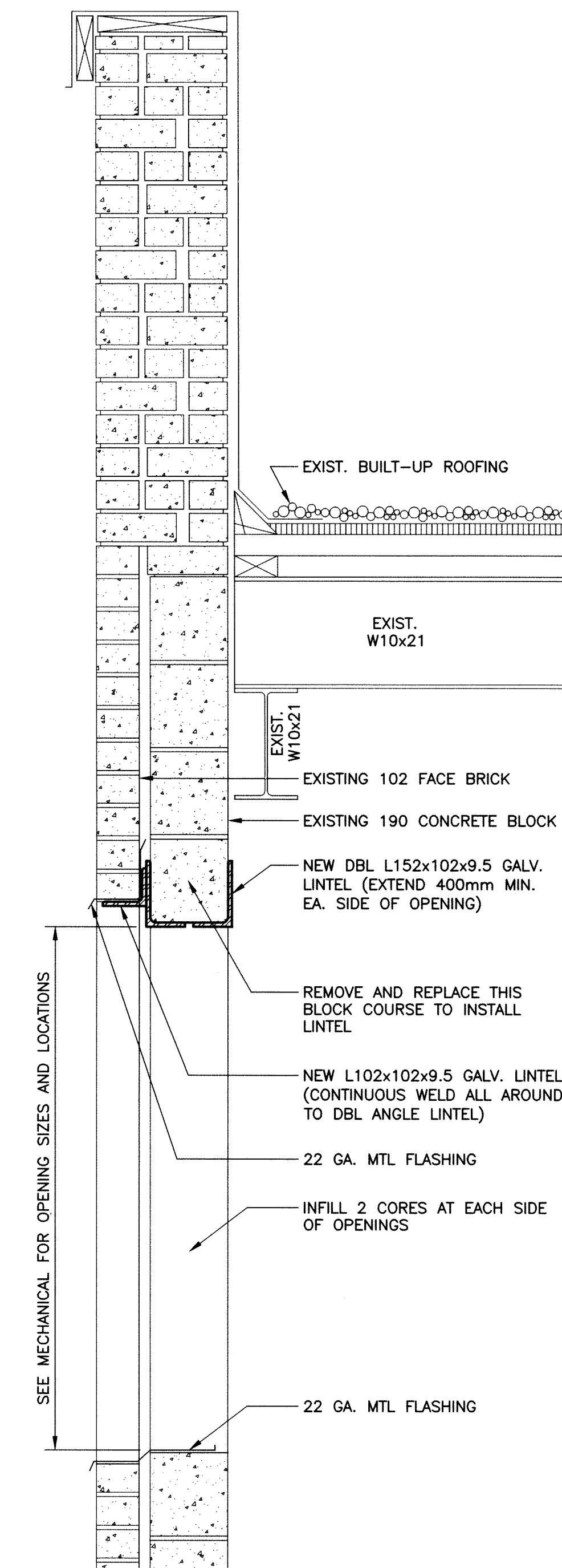
A PARTIAL MAIN FLOOR PLAN
SCALE: 1:50mm (24"x36")
1:100mm (11"x17")



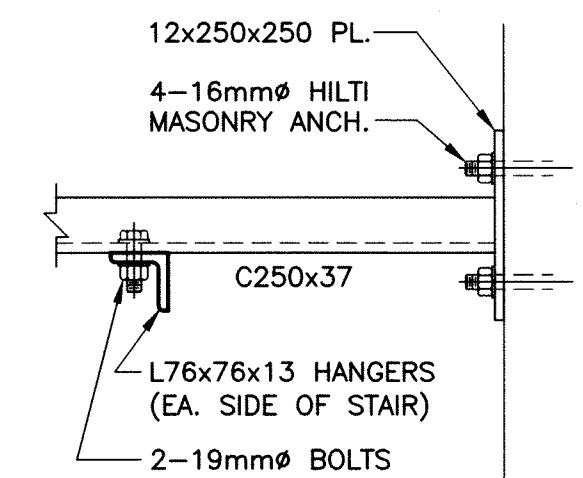
B PARTIAL CEILING SPACE PLAN
SCALE: 1:50mm (24"x36")
1:100mm (11"x17")



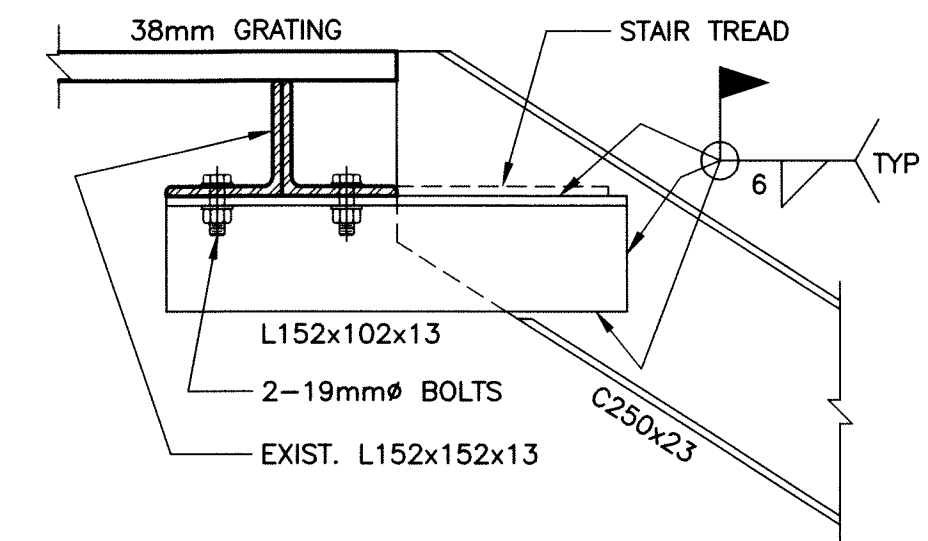
1 PARTIAL BUILDING SECTION
SCALE: 1:25mm (24"x36")
1:50mm (11"x17")



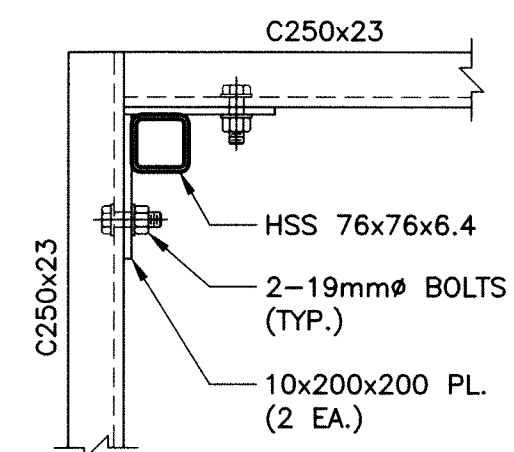
2 WALL OPENING - SECTION
SCALE: 1:10mm (24"x36")
1:20mm (11"x17")



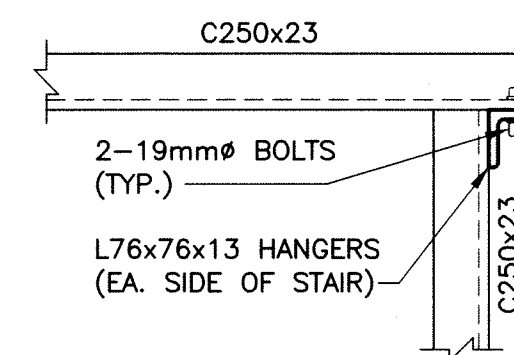
4 PLAN DETAIL
SCALE: 1:10mm (24"x36")
1:20mm (11"x17")



5 SECTION DETAIL
SCALE: 1:10mm (24"x36")
1:20mm (11"x17")



6 SECTION DETAIL
SCALE: 1:10mm (24"x36")
1:20mm (11"x17")



7 SECTION DETAIL
SCALE: 1:10mm (24"x36")
1:20mm (11"x17")

APEGM
Certificate of Authorization
KGS Group
No. 245 Date: 10/01/20

B.M. ELEV.		KGS GROUP	CONSULTING ENGINEERS & PROJECT MANAGERS	ENGINEER'S SEAL
DESIGNED BY	RJL	CHECKED BY		 R.J. LONG REGISTERED PROFESSIONAL ENGINEER
DRAWN BY	MB	APPROVED BY		
HOR. SCALE:	AS SHOWN	RELEASED FOR CONSTRUCTION:		CONSULTANT DRAWING NO. P1-S3
NO. REVISIONS	DATE	BY	DATE	

THE CITY OF WINNIPEG
PUBLIC WORKS DEPARTMENT

PROJECT TITLE: FORT ROUGE LEISURE CENTRE HVAC UPGRADES - PHASE 1

SHEET 003 OF 003

COMPUTER FILE NAME: 08-0107-09-P1-S3

CITY DRAWING NUMBER

PARTIAL PLANS, SECTION AND DETAILS