

Drawing Title:

Drawing No:

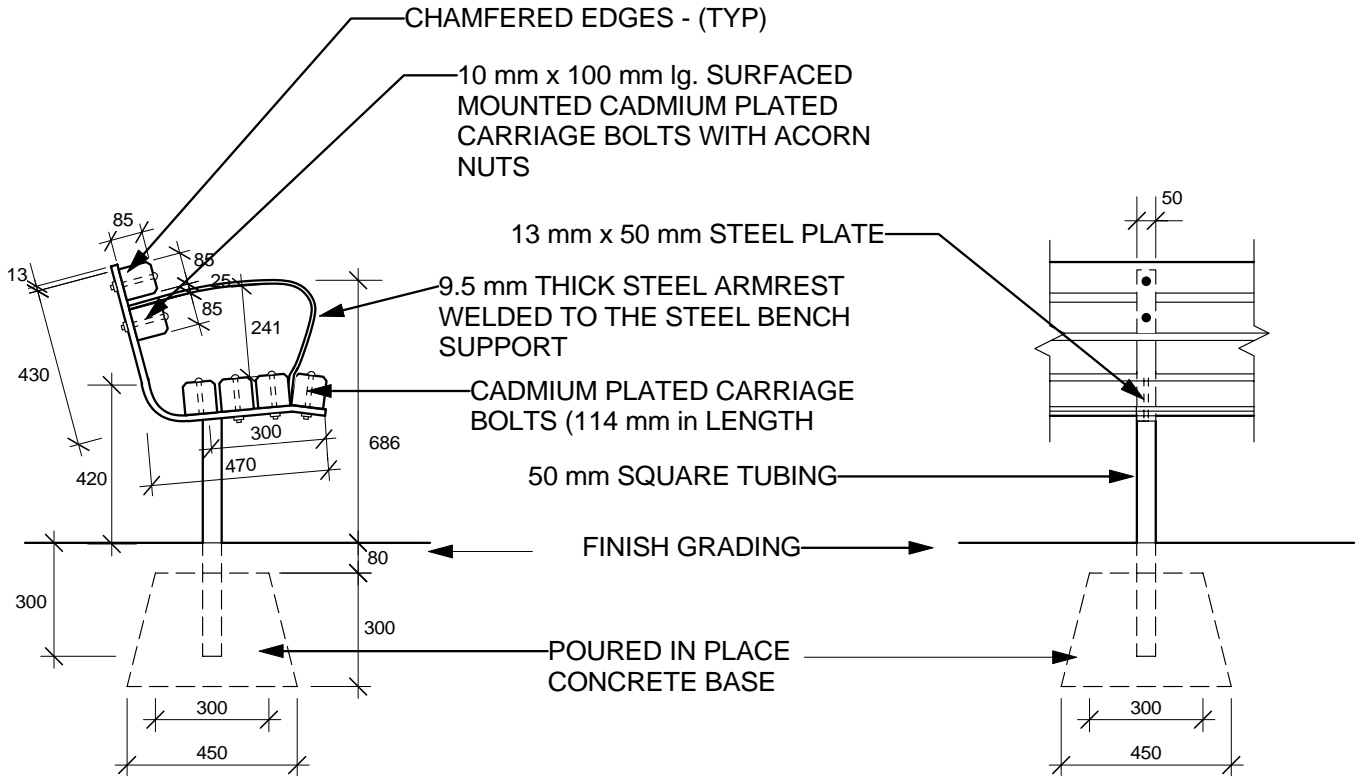
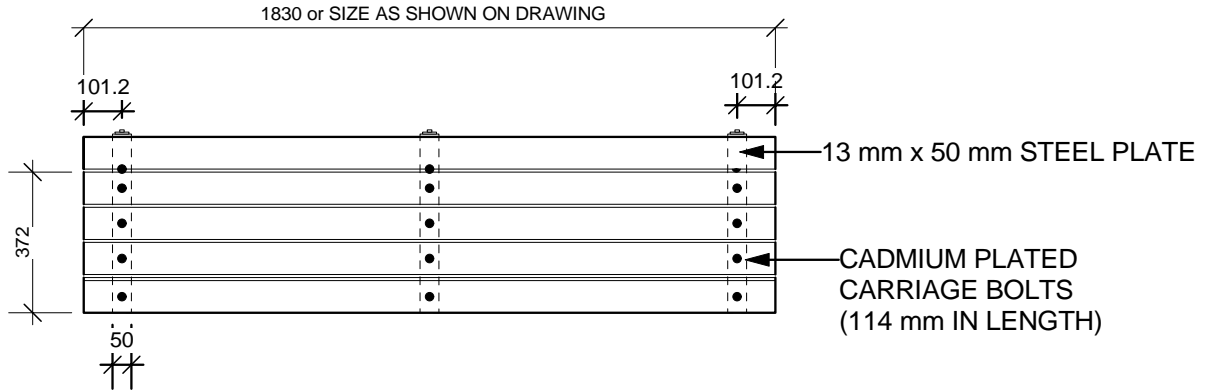
# TACHE BENCH COMPOSITE WITH ARMS

## SCD-139

### MATERIALS

- 100 mm x 100 mm COMPOSITE BOARDS
- CEDAR TONE FINISH
- METAL FINISH - PRIME WITH RUSTOLEUM NO. 769
- FINISH WITH SAPOLIN
- BLACK WROUGHT FINISH

Product # 52501085



## SIDE ELEVATION

## FRONT ELEVATION

DIMENSIONS SHOWN ARE IN MILLIMETRES UNLESS OTHERWISE SPECIFIED

DATE: November 2007  
 SCALE: 1:20  
 DRAWN BY: SP

The City of Winnipeg  
 Planning, Property and Development Department  
 Planning and Land Use Division  
 Unit 15 - 30 Fort Street, Winnipeg, MB, R3C 4X5

