

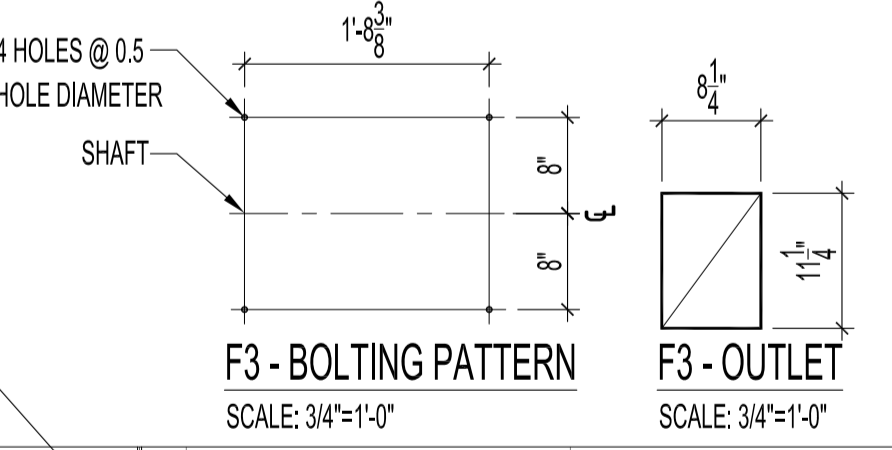
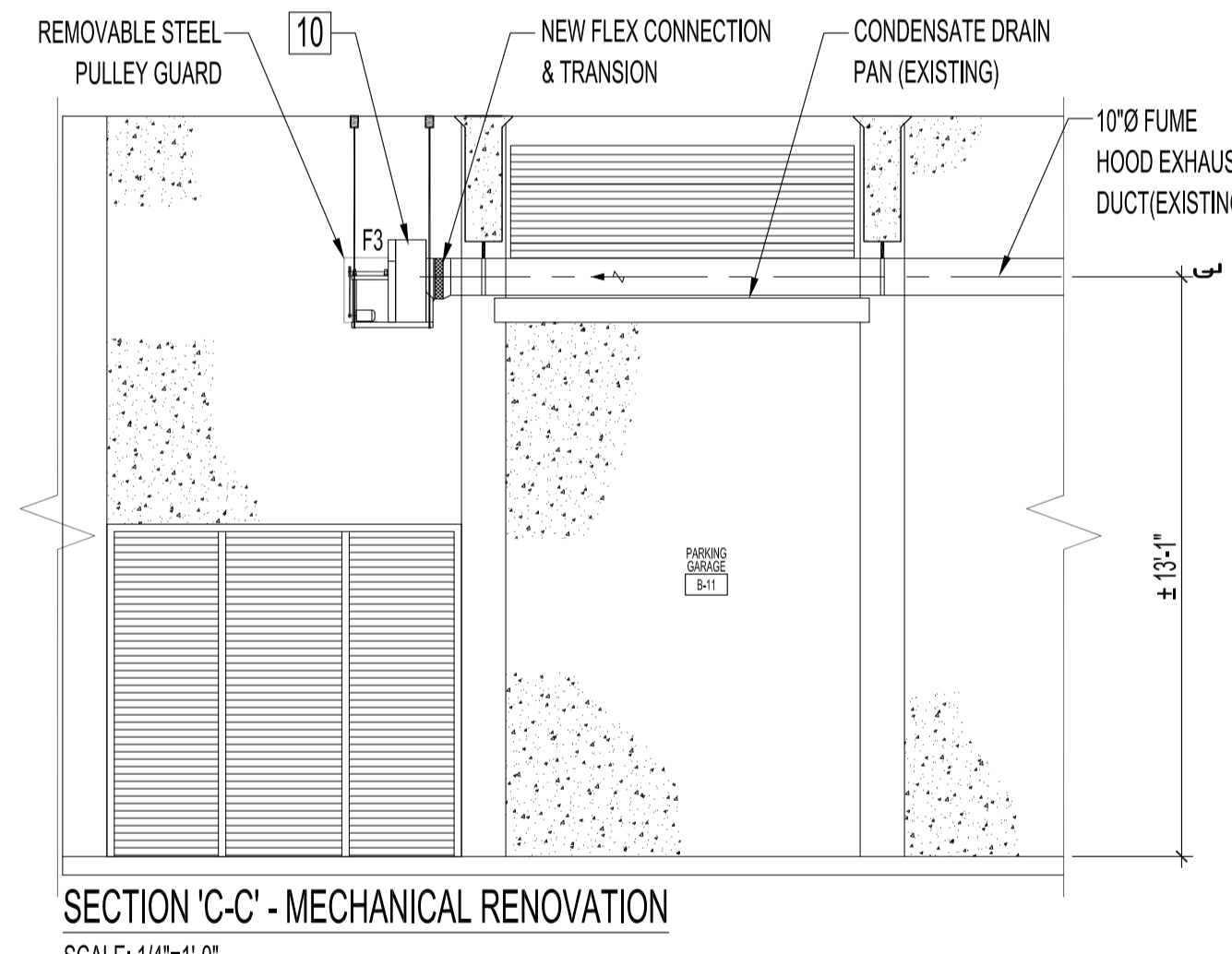
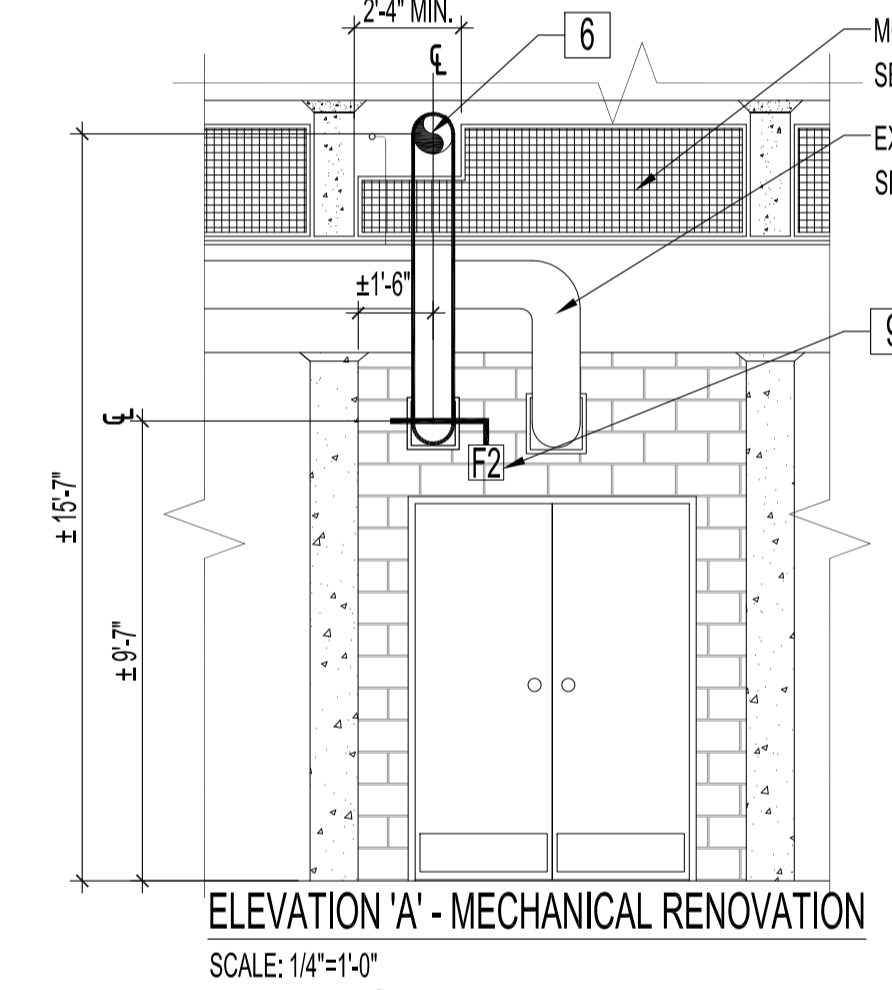
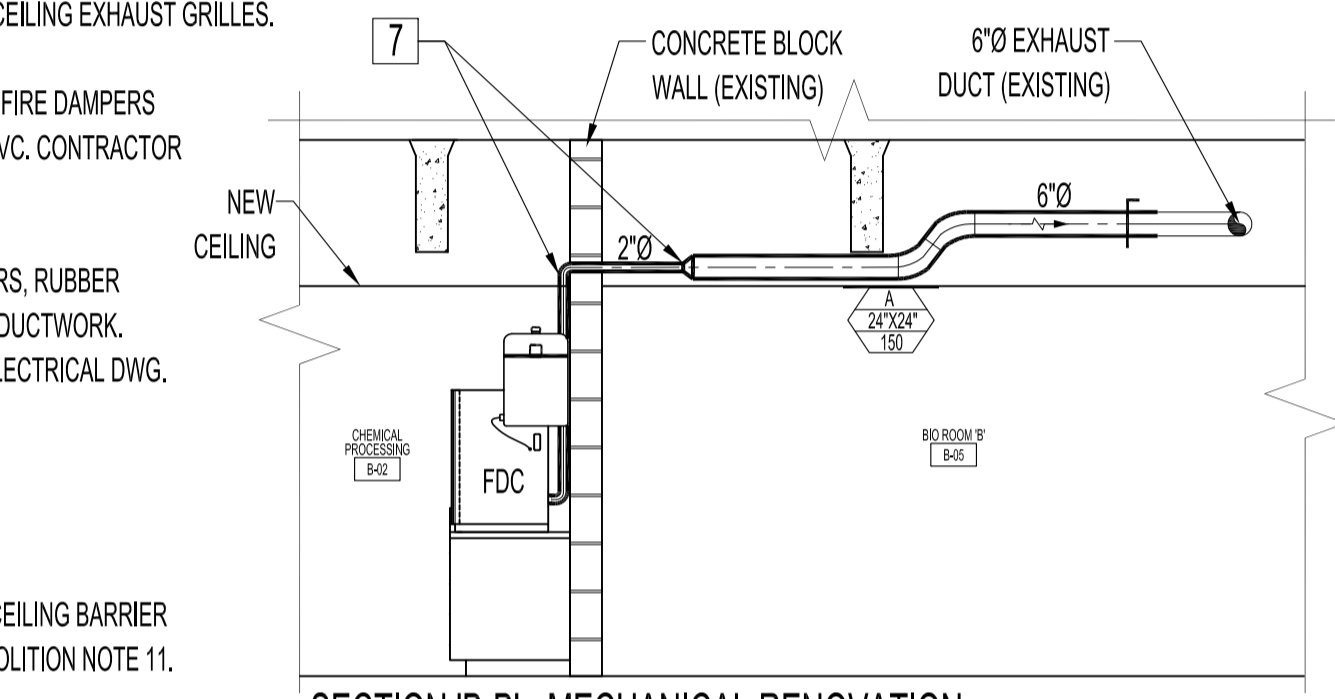
MECHANICAL RENOVATION NOTES:
ALSO SEE ELECTRICAL DWG.

- 1 SUPPLY & INSTALL NEW DUCT SECTION & DUCT HANGERS. ALSO SEE MECHANICAL DEMOLITION NOTE 4.
- 2 SUPPLY & INSTALL 12" x 18" APPROVED IN-STREAM FIRE DAMPER & GRILLES ABOVE NEW SUSPENDED CEILING. FIRE DAMPER MODEL # FD-VA. ALSO SEE DIFFUSER & GRILLE SCHEDULE.
- 3 RELOCATED 'NIGHT SET BACK HEAT & HEAT & COOL' THERMOSTATS. SUPPLY & INSTALL 1/2" Ø CONDUITS & LOW VOLTAGE WIRING FROM EXHIBIT PROCESSING AREA, ROOM B-18 TO EXISTING SPECIAL OPERATIONS AHU #1. SUPPLY & INSTALL (2) DEVICE BOXES & SURFACE MOUNT TO EXISTING CONCRETE BLOCK WALL AT 65" FROM FINISHED FLOOR. RUN NEW CONDUIT AS CLOSE TO GARAGE CEILING & THROUGH CONCRETE BLOCK WALL ABOVE ROOM CEILING AND DOWN TO RELOCATED THERMOSTAT LOCATIONS.
- 4 SUPPLY & INSTALL (6) NEW 24" X 24" SUPPLY CEILING DIFFUSERS, RIDGED & FLEX DUCT TAKE-OFFS & BALANCING DAMPERS.
- 5 SUPPLY & INSTALL 10" Ø DUCT EXTENSION & TRANSITION. CAP END.
- 6 RELOCATED FUME HOOD, EXHAUST DUCT, TRANSITION, SLEEVE & COLLAR. TIE INTO EXISTING 10" Ø EXHAUST DUCT IN GARAGE. SUPPLY & INSTALL NEW APPROVED IN STREAM FIRE DAMPER TO SUIT. PROVIDE WALL PENETRATION TO ACCOMMODATE RELOCATED FUME HOOD DUCTWORK. CONNECT TO EXISTING 10" Ø DUCT. SUPPLY & INSTALL 10" Ø DUCT EXTENSION AS REQUIRED. ALSO SEE MECHANICAL DEMOLITION NOTE 3.
- 7 SUPPLY & INSTALL 2" EXHAUST ABS PIPE EXTENSION & TRANSITION FOR FINGERPRINT DEVELOPMENT CHAMBER (FDC), CONNECT ABS PIPE TO EXISTING 6" Ø EXHAUST DUCT. SUPPLY & INSTALL BALANCING DAMPER IN EXISTING 8" RIDGED DUCT. CONTRACTOR TO CORE HOLE THROUGH EXISTING CONCRETE BLOCK WALL FOR EXHAUST DUCT INSTALLATION. CONNECT PIPE TO FDC AND BALANCE EXHAUST AIR TO 78 CFM.
- 8 SUPPLY & INSTALL RIDGED DUCT EXTENSIONS & BALANCING DAMPERS TO ACCOMMODATE (3) RELOCATED CEILING EXHAUST GRILLES.
- 9 SUPPLY & INSTALL NEW APPROVED OUT OF STREAM (TYPE B) FIRE DAMPERS & INSPECTION HATCHES. NEW FIRE DAMPERS TO SUIT EXISTING RELOCATED 10" Ø EXHAUST DUCT & NEW 10" Ø SUPPLY DUCT. FIRE DAMPER MODEL # F-RVC. CONTRACTOR TO PROVIDE DUCT TRANSITIONS AS REQUIRED.
- 10 SUPPLY & INSTALL NEW FUME HOOD EXHAUST FAN, (F3) DISCONNECT SWITCH, CEILING HANGERS, ISOLATORS, RUBBER MOUNTS & REMOVABLE STEEL PULLEY GUARD. RECONNECT, ALIGN & CENTER TO EXISTING 10" Ø & 10" X 10" DUCTWORK. CONTRACTOR TO SUPPLY & INSTALL FLEX CONNECTIONS & DUCT TRANSITIONS AS REQUIRED. ALSO SEE ELECTRICAL DWG.
- 11 SUPPLY & INSTALL TRANSFER GRILLE. NEW WALL GRILLE TO SUIT EXISTING DUCT SIZE.
- 12 SUPPLY & INSTALL CEILING RETURN GRILLE. SEE DIFFUSER & GRILLE SCHEDULE.

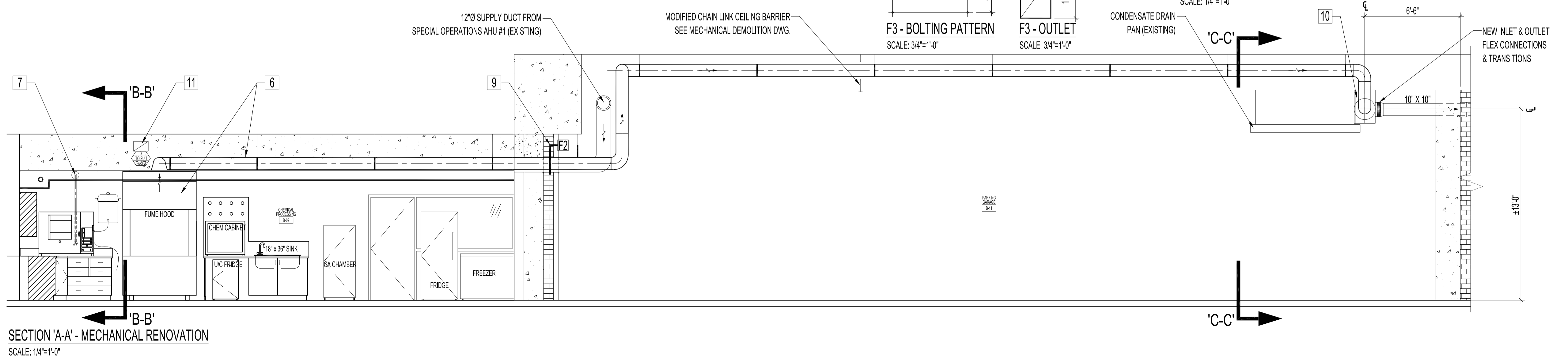
DIFFUSER & GRILLE SCHEDULE			
TYPE	QTY.	DESCRIPTION, MODEL NO.	MANUFACTURER
A	12	SQUARE DIFFUSER, 24" X 24" MODEL # SPD/31/24/B/12	PRICE
B	7	EGG CRATE RETURN	PRICE
C	3	SQUARE EXHAUST GRILLE, 8" X 8"	EXISTING RELOCATED
D	3	WALL TRANSFER GRILLE, 530 SERIES	PRICE

NEW GRILLE SCHEDULE QUANTITIES ARE APPROXIMATE AND SHOWN ABOVE FOR REFERENCE ONLY. CONTRACTOR IS RESPONSIBLE FOR QUANTITY TAKE-OFF FROM DRAWING.

EXHAUST FAN SCHEDULE					
UNIT	SERVICE	MANUFACTURER	MODEL	DESCRIPTION	NOTES
F3	CHEMICAL PROCESSING G ROOM B-02 RELOCATED FUME HOOD.	GREENHECK	SWB-207-4	BACKWARD INCLINED CENTRIFUGAL UTILITY FAN. ARRANGEMENT: 10 DRIVE TYPE: VARIABLE ROTATION: CW DISCHARGE POSITION: BH MOUNTING: CEILING HUNG MOTOR FRAME SIZE: 48 APPROX. FAN WEIGHT: 140 (LB) HORSE POWER: 1/4 RPM: 1725 CFM: 400	SUPPLY & INSTALL DISCONNECT SWITCH @ FAN LOCATION. WIRE TO CRIME LAB MAU #1 FAN MOTOR. SEE ELECTRICAL DWG. SUPPLY & INSTALL NEW INLET & OUTLET FLEXIBLE CONNECTION & TRANSITIONS TO SUIT EXISTING DUCTS.



PARTIAL BASEMENT & REFLECTED CEILING FLOOR PLAN - MECHANICAL RENOVATION SCALE: 1/8"=1'-0"



NOTES : ALSO SEE M1 NOTES

ORIGINAL STAMPED BY: D.A PALEY, P.ENG DATE: 2010.09.21

NO.	REVISION/DESCRIPTION	BY	DATE
SEALS			

DRAWN BY: RCP CHECKED BY: USER APPROVAL APPROVED DATE: 2010.09.21

CITY OF WINNIPEG PLANNING, PROPERTY AND DEVELOPMENT DEPARTMENT CIVIC ACCOMMODATIONS DIVISION 300 - 65 GARRY ST. R3C 4K4

PROJECT PUBLIC SAFETY BUILDING EXHIBIT PROCESSING AREA DEVELOPMENT

151 PRINCESS STREET SHEET TITLE

PARTIAL BASEMENT & REFLECTED CEILING FLOOR PLAN MECHANICAL RENOVATION

SCALE	PROJECT NO.	SHEET NO.
AS SHOWN	2008-067	M2