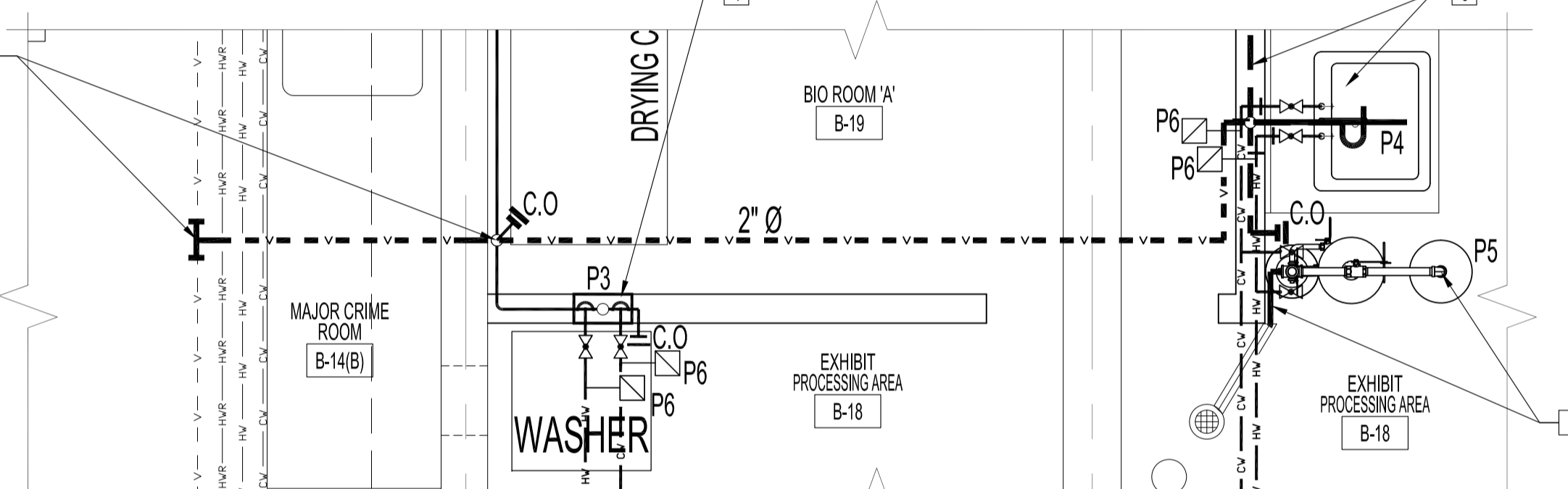
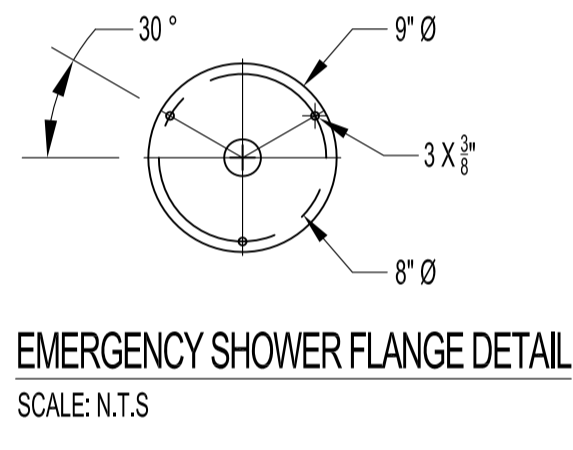


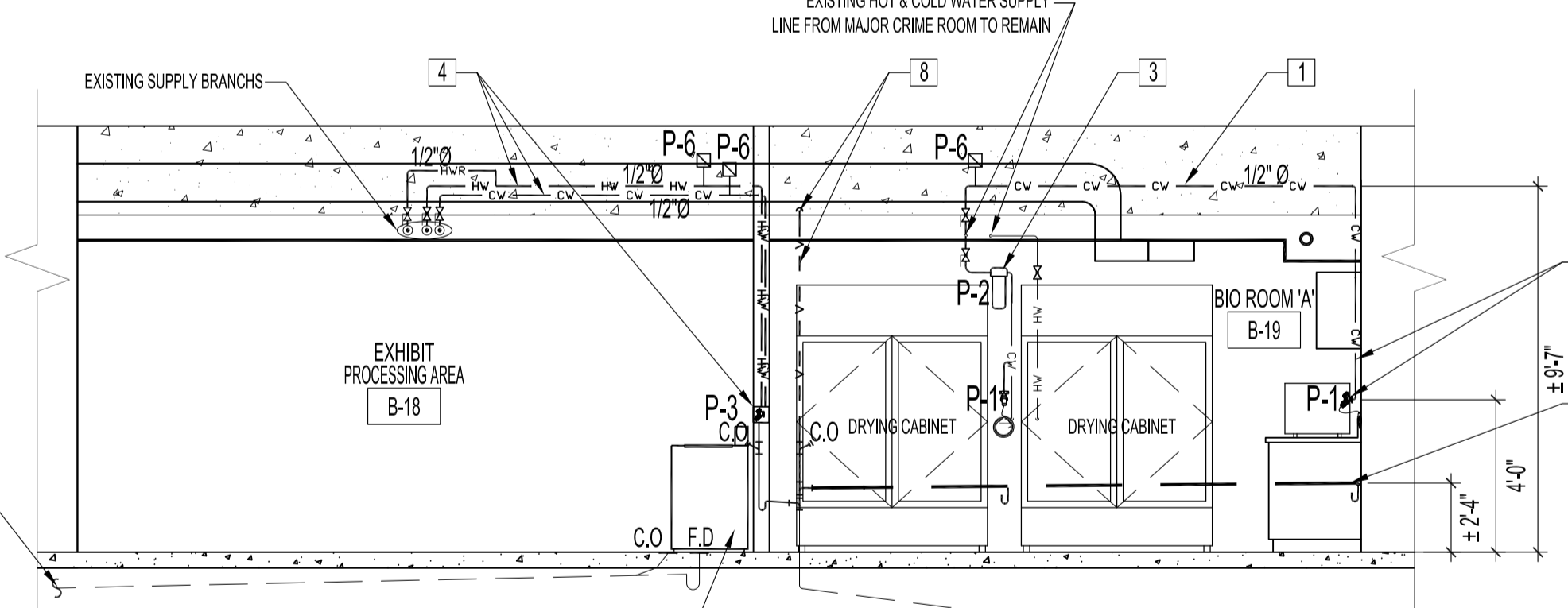
PARTIAL BASEMENT FLOOR PLAN - PLUMBING RENOVATION
SCALE: 1/4"=1'-0"



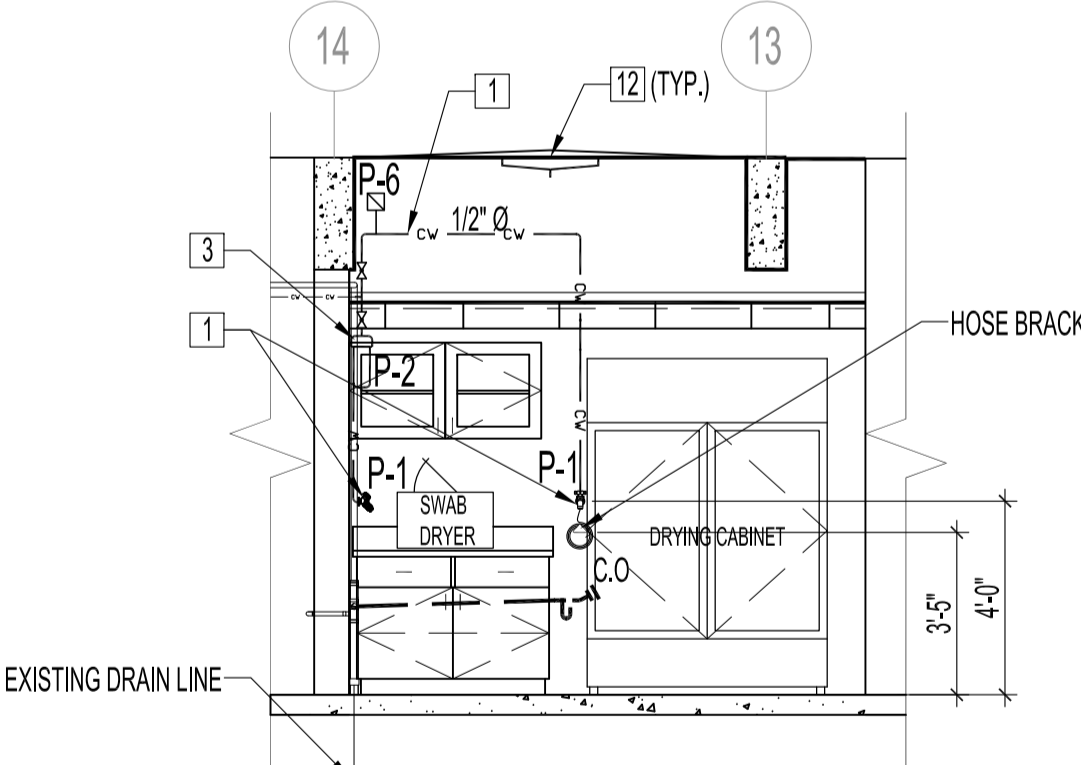
ENLARGED PARTIAL BASEMENT FLOOR PLAN - PLUMBING RENOVATION
SCALE: 1/2"=1'-0"



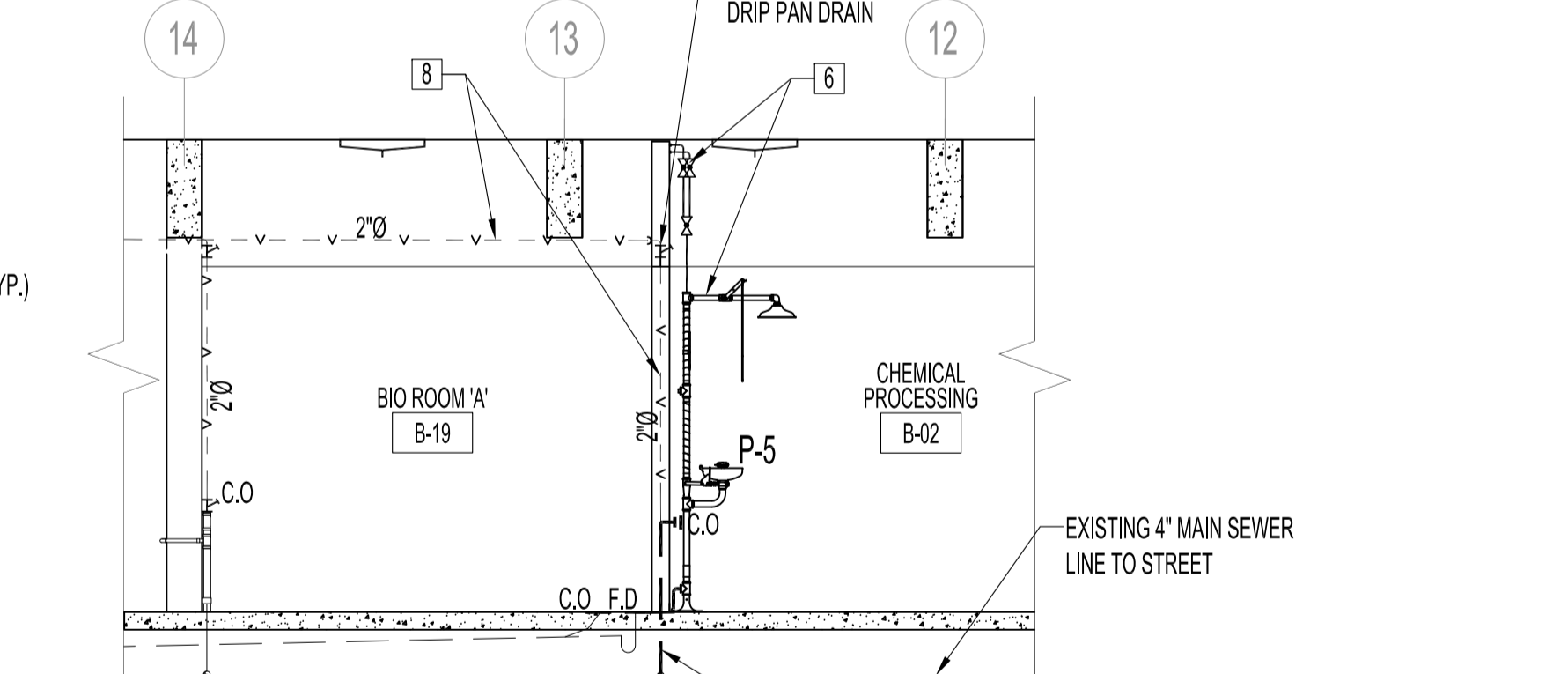
EMERGENCY SHOWER FLANGE DETAIL
SCALE: N.T.S.



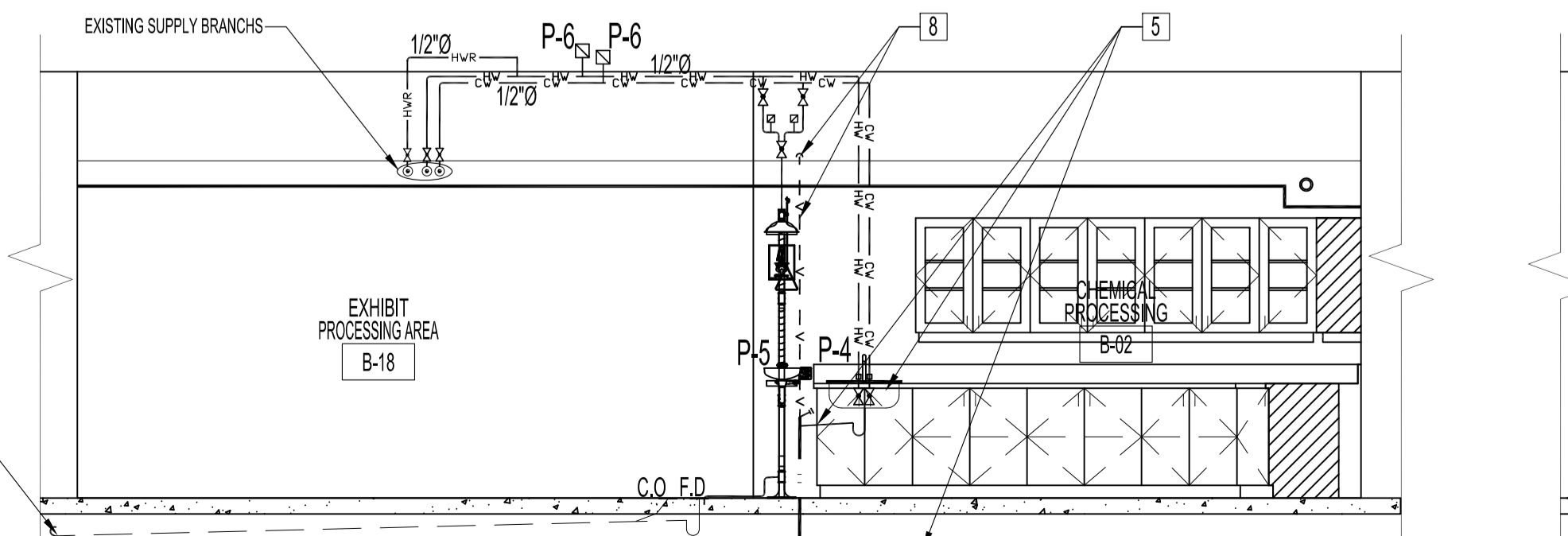
ELEVATION 'A' - BIO ROOM 'A'
SCALE: 1/4"=1'-0"



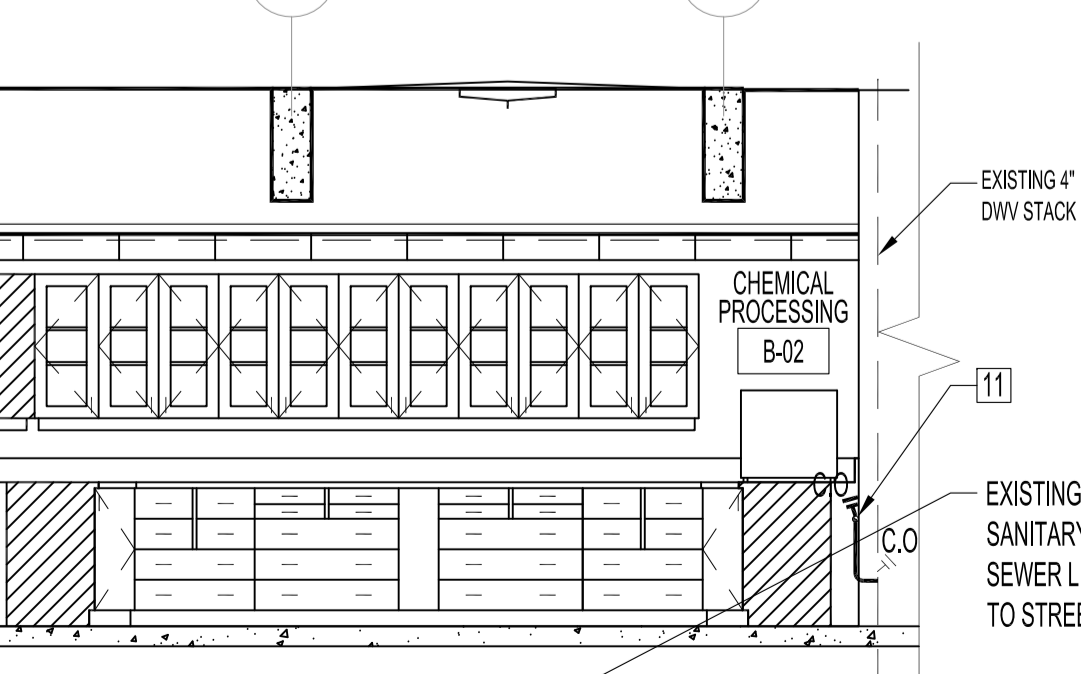
ELEVATION 'B' - BIO ROOM 'A'
SCALE: 1/4"=1'-0"



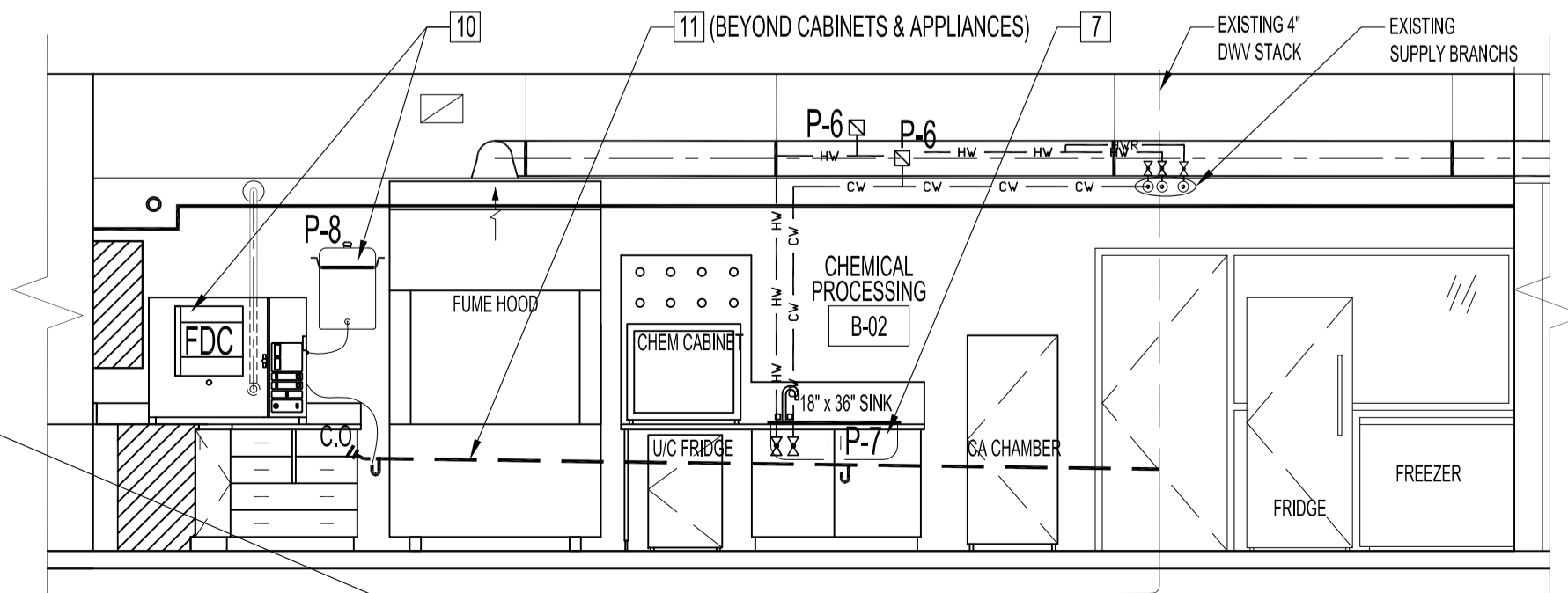
ELEVATION 'C' - CHEMICAL PROCESSING ROOM
SCALE: 1/4"=1'-0"



ELEVATION 'C' - EXHIBIT PROCESSING ROOM
SCALE: 1/4"=1'-0"



ELEVATION 'E' - CHEMICAL PROCESSING RM.
SCALE: 1/4"=1'-0"



ELEVATION 'F' - CHEMICAL PROCESSING RM.
SCALE: 1/4"=1'-0"

PLUMBING RENOVATION NOTES:

ALSO SEE PLUMBING SCHEDULE

- 1 SUPPLY & INSTALL DOMESTIC COLD WATER SUPPLY LINES, BACKFLOW PREVENTERS & WATER HAMMER ARRESTERS. NEW SUPPLY LINES TO BE CONNECTED TO EXISTING COLD WATER SUPPLY LINE ABOVE CEILING TILE AND DOWN TO SURFACE MOUNTED WALL HYDRANTS, (TYPICAL)
- 2 SUPPLY & INSTALL SURFACE MOUNT DRAIN LINE, P-TRAPS & CLEAN-OUTS FOR DRYING CABINETS. SLOPE NEW DRAIN LINE TO NEW DWV STACK.
- 3 SUPPLY & INSTALL NEW WATER FILTER HOUSING UNIT C/W FILTER. CONNECT TO EXISTING COLD WATER SUPPLY LINE.
- 4 SUPPLY & INSTALL RECESSED WASHING MACHINE BOX IN NEW STUD WALL. PROVIDE MOUNTING STUDS & INSTALL BOX TO MANUFACTURERS INSTALLATION INSTRUCTIONS. SUPPLY & INSTALL STANDPIPE & DRAIN LINE TO NEW DWV STACK. SUPPLY & INSTALL DOMESTIC WATER SUPPLY LINE TAKE-OFFS FROM MAIN BRANCHES COMPLETE WITH WATER HAMMER ARRESTERS AND BALL LEVER SHUT-OFF VALVES INSTALLED ABOVE CEILING TILE.
- 5 SUPPLY & INSTALL NEW STAINLESS STEEL SINK COMPLETE WITH DOMESTIC HOT & COLD WATER SUPPLY LINES. SUPPLY & INSTALL BALL LEVER SHUT-OFF VALVES UNDER SINK BASE CABINET. NEW WATER HAMMER ARRESTERS TO BE INSTALLED ABOVE CEILING TILE. CONNECT NEW SINK TO NEW IN-WALL DWV STACK C/W IN-WALL CLEAN OUT PLUG & COVER. SUPPLY & INSTALL NEW BELOW BASEMENT FLOOR SLAB SANITARY WASTE LINE. TIE INTO EXISTING (BELOW SLAB) AND SLOPE TO 4" MAIN SANITARY SEWER TO STREET LINE.
- 6 SUPPLY & INSTALL (FLOOR FLANGE MOUNT) EMERGENCY SHOWER WASH STATION C/W TEMPERING VALVE, MOUNTING BRACKET & SHUT-OFF VALVES INSTALLED ABOVE CEILING. LAY NEW 2" Ø DRAIN PIPE FROM EMERGENCY SHOWER IN ROUTED CONCRETE CHANNEL. ALSO SEE PLUMBING DEMOLITION DWG.
- 7 SUPPLY & INSTALL STAINLESS STEEL SINK C/W DOMESTIC WATER SUPPLY LINES, BALL LEVER SHUT-OFF VALVES & WATER HAMMER ARRESTERS. THE NEW DOMESTIC SUPPLY LINES INTO ABOVE CEILING TILE. SUPPLY & INSTALL BALL LEVER SHUT-OFF VALVES UNDER CABINET LAVATORY. CONNECT P-TRAP TO NEW SURFACE MOUNTED DRAIN LINE.
- 8 SUPPLY & INSTALL NEW VENT TAKE-OFF & LINE FOR DRYING CABINETS # 1A, 2A, 3A, SWAB DRYER 'A', WASHER. EXISTING MAJOR CRIME ROOM SINK & NEW EXHIBIT PROCESSING LAVATORY (P4) DRAIN LINES. CONTRACTOR TO SUPPLY & INSTALL NEW DWV STACK TO ACCOMMODATE THESE NEW FIXTURES AS PER NATIONAL PLUMBING CODE.
- 9 SUPPLY & INSTALL 8" X 8" STEEL PLUMBING ACCESS HATCH TO ACCOMMODATE EXISTING CLEAN-OUT.
- 10 INSTALL WALL MOUNTED FINGERPRINT DEVELOPMENT CHAMBER (FDC) OVEN WATER RESERVOIR C/W ALL SUPPLY, DRAIN & HOSE CONNECTIONS AS PER MANUFACTURERS INSTALLATION INSTRUCTIONS. FDC UNIT & MANUAL ON SITE.
- 11 SUPPLY & INSTALL SURFACE MOUNTED DRAIN LINE, P-TRAPS & CLEAN OUT FOR FDC OVEN & LAVATORY. SLOPE NEW DRAIN LINE & CONNECT TO EXISTING 4" IN WALL DWV STACK. PATCH & PAINT CONCRETE BLOCK WALL.
- 12 CEILING DRIP PANS. SEE DWG. M5.

NOTES :
ALSO SEE M1 NOTES

ORIGINAL STAMPED BY: DA PALEY, P.ENG
DATE: 2010.09.21

NO.	REVISION/DESCRIPTION	BY	DATE
SEALS			

DRAWN BY: RCP
CHECKED BY: USER APPROVAL
DATE: 2010.09.21

CITY OF WINNIPEG
PLANNING, PROPERTY AND DEVELOPMENT DEPARTMENT
CIVIC ACCOMMODATIONS DIVISION
300 - 65 GARRY ST. R3C 4K4

PROJECT
PUBLIC SAFETY BUILDING
EXHIBIT PROCESSING AREA DEVELOPMENT

151 PRINCESS STREET

SHEET TITLE
PARTIAL BASEMENT FLOOR PLAN
PLUMBING
RENOVATION

SCALE AS SHOWN PROJECT NO. 2008-067 SHEET NO. M4